

## Advance Information

# 256K/512K Pipelined BurstRAM™ Secondary Cache Module for Pentium™

The MCM64PE32 (256K) and MCM64PE64 (512K) are designed to provide a burstable, high performance, L2 cache for the Pentium microprocessor in conjunction with Intel's Triton II chip set. The MCM64PE32 is configured as 32K x 64 bits and the MCM64PE64 is configured as 64K x 64 bits. Both are packaged in a 160 pin card edge memory module. The MCM64PE32 module uses Motorola's 3.3 V 32K x 32 BurstRAMs and one Motorola 5 V 32K x 8 FSRAM for the tag RAM. The MCM64PE64 module uses Motorola's 3.3 V 64K x 32 BurstRAMs and one Motorola 5 V 32K x 8 FSRAM for the tag RAM.

Bursts can be initiated with either address status processor (ADSP) or cache address status (CADS). Subsequent burst addresses are generated internal to the BurstRAM by the cache burst advance (CADV) input pin.

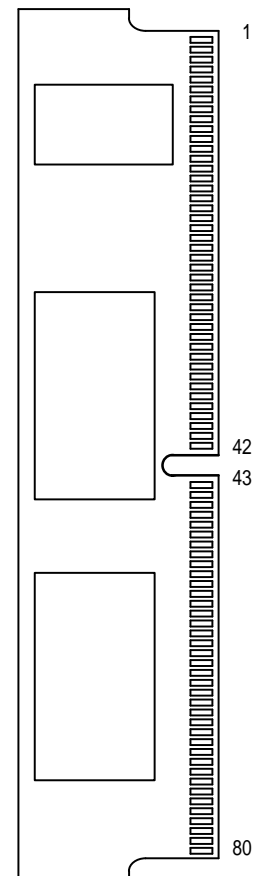
Write cycles are internally self timed and are initiated by the rising edge of the clock (CLK0) input. Eight write enables are provided for byte write control.

PD0 – PD3 map into the Triton II chip set for auto-configuration of the cache control.

- Pentium-Style Burst Counter on Chip
- Pipelined Data Out
- 160 Pin Card Edge Module
- Address Pipeline Supported by ADSP Disabled with  $\bar{Ex}$
- All Cache Data and Tag I/Os are TTL Compatible
- Three State Outputs
- Byte Write Capability
- Fast Module Clock Rate: 66 MHz
- Fast SRAM Access Times: 15 ns for Tag RAM  
8 ns for Data RAMs
- One-Cycle Deselect Data RAMs
- Decoupling Capacitors for Each Fast Static RAM
- High Quality Multi-Layer FR4 PWB with Separate Power and Ground Planes
- 8 Bits Tag RAM
- Dual Power Supplies: 3.3 V + 10%, - 5%  
5 V ± 10%
- Burndy Connector, Part Number: CELP2X80SC3Z48
- Intel COAST 3.0 Option III Compliant
- Burst Order Select (BOSEL) Option

**MCM64PE32**  
**MCM64PE64**

160-LEAD CARD EDGE  
CASE TBD  
TOP VIEW

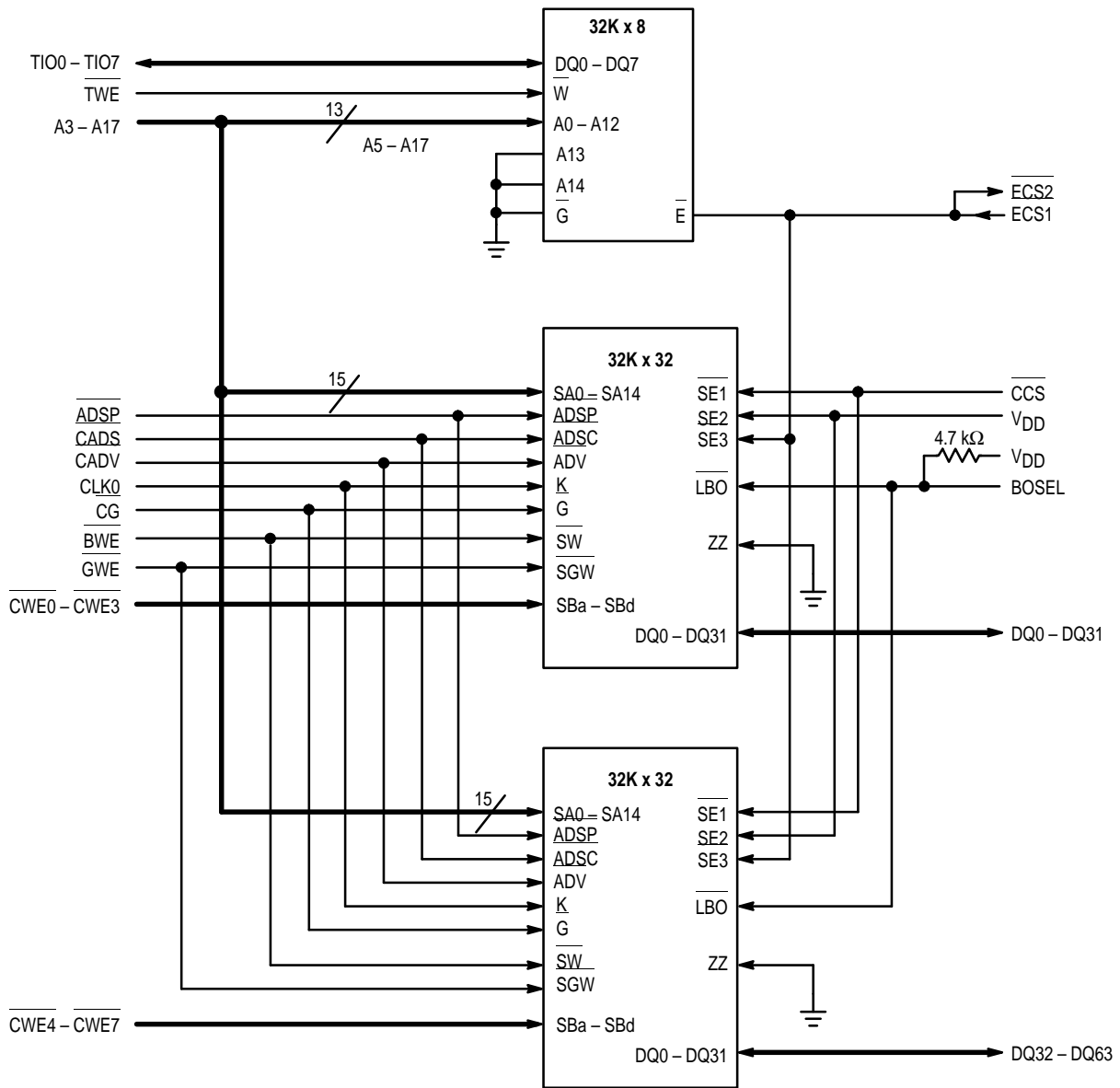


BurstRAM is a trademark of Motorola.  
Mfax is a trademark of Motorola.  
Pentium is a trademark of Intel Corp.

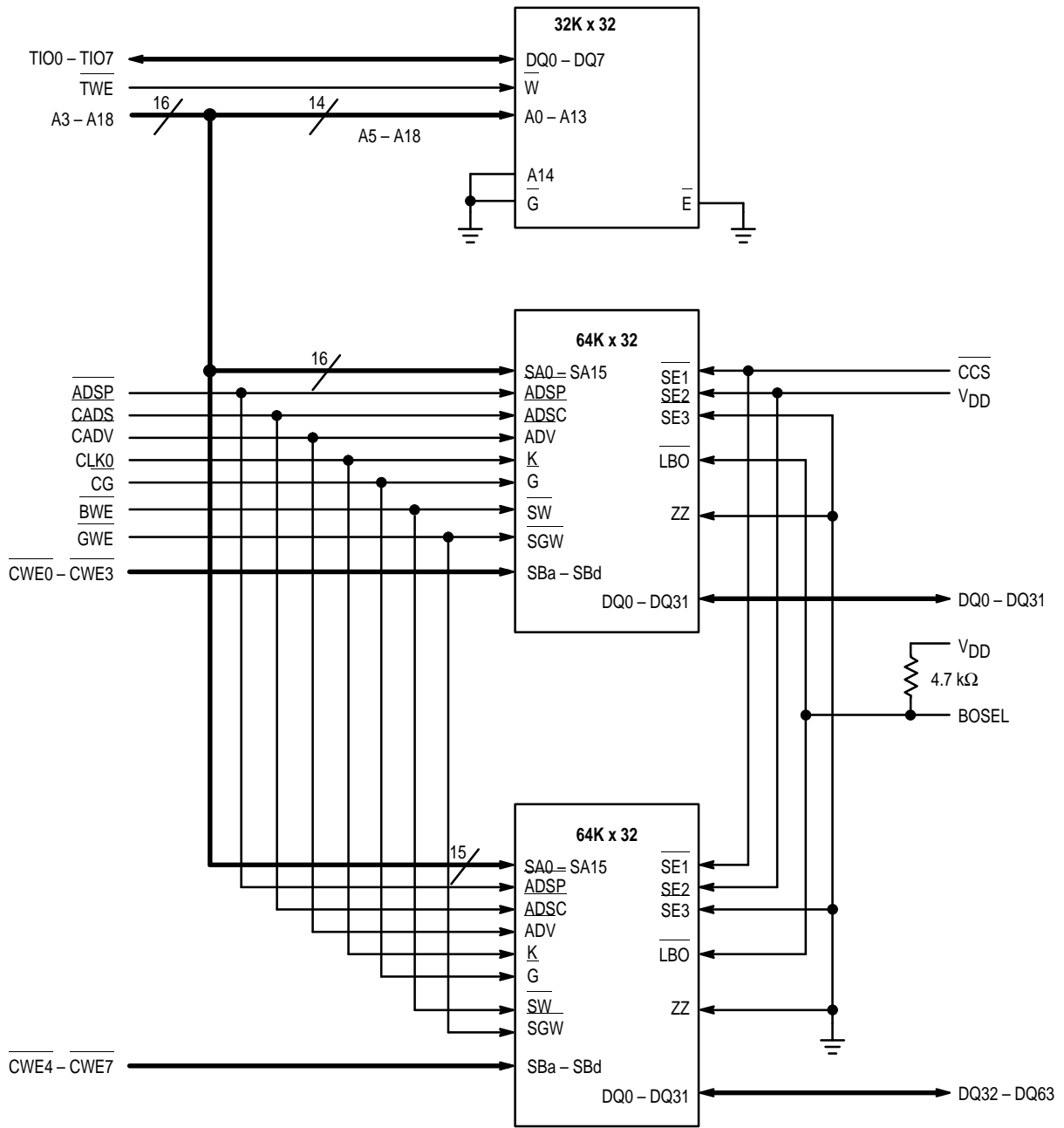
This document contains information on a new product. Motorola reserves the right to change or discontinue this product without notice.

12/9/96

# MCM64PE32 BLOCK DIAGRAM



# MCM64PE64 BLOCK DIAGRAM



**PIN ASSIGNMENT**  
**160-LEAD CARD EDGE MODULE**  
**TOP VIEW**

**PRESENCE DETECT TABLE**

Cache Size and Functionality	PD0	PD1	PD2	PD3
256K Pipe Burst	NC	NC	V <sub>SS</sub>	NC
512K Pipe Burst	NC	NC	NC	V <sub>SS</sub>

V <sub>SS</sub>	81	1	V <sub>SS</sub>
TIO1	82	2	TIO0
TIO7	83	3	TIO2
TIO5	84	4	TIO6
TIO3	85	5	TIO4
NC	86	6	NC
V <sub>CC5</sub>	87	7	V <sub>DD3</sub>
NC	88	8	TWE
CADV	89	9	CADS
V <sub>SS</sub>	90	10	V <sub>SS</sub>
CG	91	11	CWE4
CWE5	92	12	CWE6
CWE7	93	13	CWE0
CWE1	94	14	CWE2
V <sub>CC5</sub>	95	15	V <sub>DD3</sub>
CWE3	96	16	CCS
NC	97	17	GWE
NC	98	18	BWE
V <sub>SS</sub>	99	19	V <sub>SS</sub>
RSVD	100	20	A3
A4	101	21	A7
A6	102	22	A5
A8	103	23	A11
A10	104	24	A16
V <sub>CC5</sub>	105	25	V <sub>DD3</sub>
A17	106	26	A18
V <sub>SS</sub>	107	27	V <sub>SS</sub>
A9	108	28	A12
A14	109	29	A13
A15	110	30	ADSP
RSVD	111	31	ECS1
PD0	112	32	ECS2
PD2	113	33	PD1
BOSEL	114	34	PD3
V <sub>SS</sub>	115	35	V <sub>SS</sub>
CLK0	116	36	NC
V <sub>SS</sub>	117	37	V <sub>SS</sub>
DQ63	118	38	DQ62
V <sub>CC5</sub>	119	39	V <sub>DD3</sub>
DQ61	120	40	DQ60
DQ59	121	41	DQ58
DQ57	122	42	DQ56
V <sub>SS</sub>	123	43	V <sub>SS</sub>
DQ55	124	44	DQ54
DQ53	125	45	DQ52
DQ51	126	46	DQ50
DQ49	127	47	DQ48
V <sub>SS</sub>	128	48	V <sub>SS</sub>
DQ47	129	49	DQ46
DQ45	130	50	DQ44
DQ43	131	51	DQ42
V <sub>CC5</sub>	132	52	V <sub>DD3</sub>
DQ41	133	53	DQ40
DQ39	134	54	DQ38
DQ37	135	55	DQ36
V <sub>SS</sub>	136	56	V <sub>SS</sub>
DQ35	137	57	DQ34
DQ33	138	58	DQ32
DQ31	139	59	DQ30
V <sub>CC5</sub>	140	60	V <sub>DD</sub>
DQ29	141	61	DQ28
DQ27	142	62	DQ26
DQ25	143	63	DQ24
V <sub>SS</sub>	144	64	V <sub>SS</sub>
DQ23	145	65	DQ22
DQ21	146	66	DQ20
DQ19	147	67	DQ18
V <sub>CC5</sub>	148	68	V <sub>DD3</sub>
DQ17	149	69	DQ16
DQ15	150	70	DQ14
DQ13	151	71	DQ12
V <sub>SS</sub>	152	72	V <sub>SS</sub>
DQ11	153	73	DQ10
DQ9	154	74	DQ8
DQ7	155	75	DQ6
V <sub>CC5</sub>	156	76	V <sub>DD3</sub>
DQ5	157	77	DQ4
DQ3	158	78	DQ2
DQ1	159	79	DQ0
V <sub>SS</sub>	160	80	V <sub>SS</sub>

## PIN DESCRIPTIONS

160-Lead Card Edge Pin Locations	Symbol	Type	Description
20, 21, 22, 23, 24, 26, 28, 29, 101, 102, 103, 104, 106, 108, 109, 110	A3 – A18	Input	Address Inputs: These inputs are registered into data RAMs and must meet setup and hold times. The tag RAM addresses are not registered.
30	ADSP	Input	Address Status Processor: Initiates READ, WRITE, or chip_deselect cycle (Exception — chip_deselect does not occur when ADSP is asserted and CCS is high.
114	BOSEL	Input	Burst Order Select: NC for interleaved burst counter. Tie to ground for linear burst counter.
18	BWE	Input	Byte Write Enable: To be used in future modules.
9	CADS	Input	Cache Address Status: Initiates READ, WRITE, or chip_deselect cycle.
89	CADV	Input	Cache Burst Advance: Increments address count in accordance with interleaved count style.
16	CCS	Input	Chip Select: Active low chip enable for data RAMs.
91	CG	Input	Cache Output Enable: Active low asynchronous input. Low — enables output buffers (DQ pins) High — DQx pins are high impedance.
116	CLK0	Input	Clock: This signal registers the address, data in, and all control signals except CG.
11, 12, 13, 14, 92, 93, 94, 96	CWE0 – CWE7	Input	Cache Data Byte Write Enable: Active low write signal for data RAMs.
38, 40, 41, 42, 44, 45, 46, 47, 49, 50, 51, 53, 54, 55, 57, 58, 59, 61, 62, 63, 65, 66, 67, 69, 70, 71, 73, 74, 75, 77, 78, 79, 118, 120, 121, 122, 124, 125, 126, 127, 129, 130, 131, 133, 134, 135, 137, 138, 139, 141, 142, 143, 145, 146, 147, 149, 150, 151, 153, 154, 155, 157, 158, 159	DQ0 – DQ63	I/O	Synchronous Data I/O: Drives data out of data RAMs during READ cycles. Stores data to data RAMs during WRITE cycles.
31, 32	ECS1, ECS2	Input	Expansion Chip Select.
17	GWE	Input	Global Write Enable: To be used in future modules.
33, 34, 112, 113	PD0 – PD3	—	Presence Detect: See Presence Detect Table.
100, 111	RSVD	—	No Connection: Reserved for future use.
2, 3, 4, 5, 82, 83, 84, 85	TIO0 – TIO7	I/O	Tag RAM I/O: Drives data out during tag compare cycles. Stores data to tag RAM during tag WRITE cycles.
8	TWE	Input	Tag Write Enable: Active low write signal for tag RAMs.
87, 95, 105, 119, 132, 140, 148, 156	VCC5	Supply	Power Supply: 5.0 V ± 5%.
7, 15, 25, 39, 52, 60, 68, 76	VDD3	Supply	Power Supply: 3.3 V + 10%, – 5%.
1, 10, 19, 27, 35, 37, 43, 48, 56, 64, 72, 80, 81, 90, 99, 107, 115, 117, 123, 128, 136, 144, 152, 160	VSS	Supply	Ground.
6, 36, 86, 88, 97, 98	NC	—	No Connection: There is no connection to the module.

**SYNCHRONOUS TRUTH TABLE** (See Notes 1, 2, and 3)

CCS	ADSP	CADS	CADV	CWEx	CLK0	Address Used	Operation
H	X	L	X	X	L-H	N/A	Deselected
L	L	X	X	X	L-H	External Address	Read Cycle, Begin Burst
L	H	L	X	L	L-H	External Address	Write Cycle, Begin Burst
L	H	L	X	H	L-H	External Address	Read Cycle, Begin Burst
X	H	H	L	L	L-H	Next Address	Write Cycle, Continue Burst
X	H	H	L	H	L-H	Next Address	Read Cycle, Continue Burst
X	H	H	H	L	L-H	Current Address	Write Cycle, Suspend Burst
X	H	H	H	H	L-H	Current Address	Read Cycle, Suspend Burst
H	X	H	L	L	L-H	Next Address	Write Cycle, Continue Burst
H	X	H	L	H	L-H	Next Address	Read Cycle, Continue Burst
H	X	H	H	L	L-H	Current Address	Write Cycle, Suspend Burst
H	X	H	H	H	L-H	Current Address	Read Cycle, Suspend Burst

NOTES:

1. X means Don't Care.
2. All inputs except CG must meet setup and hold times for the low-to-high transition of clock (CLK0/1).
3. Wait states are inserted by suspending burst.

**ASYNCHRONOUS TRUTH TABLE** (See Notes 1 and 2)

Operation	CG	I/O Status
Read	L	Data Out
Read	H	High-Z
Write	X	High-Z — Data In
Deselected	X	High-Z

NOTES:

1. X means Don't Care.
2. For a write operation following a read operation, G must be high before the input data required setup time and held high through the input data hold time.

**DC ABSOLUTE MAXIMUM RATINGS** (Voltages Referenced to  $V_{SS} = 0$  V)

Rating	Symbol	Value	Unit
Power Supply Voltage	$V_{DD3}$ $V_{CC5}$	- 0.5 to + 4.6 - 0.5 V to 7.0	V
Voltage Relative to $V_{SS}$	$V_{in}$ , $V_{out}$	$V_{SS} - 0.5$ to $V_{DD} + 0.5$	V
Output Current (per I/O)	$I_{out}$	± 20	mA
Temperature Under Bias	$T_{bias}$	- 10 to + 85	°C
Operating Temperature	$T_J$	20 to +110	°C
Storage Temperature	$T_{stg}$	- 55 to + 125	°C

NOTE: Permanent device damage may occur if ABSOLUTE MAXIMUM RATINGS are exceeded. Functional operation should be restricted to RECOMMENDED OPERATING CONDITIONS. Exposure to higher than recommended voltages for extended periods of time could affect device reliability.

This device contains circuitry to protect the inputs against damage due to high static voltages or electric fields; however, it is advised that normal precautions be taken to avoid application of any voltage higher than maximum rated voltages to this high-impedance circuit.

This BiCMOS memory circuit has been designed to meet the dc and ac specifications shown in the tables, after thermal equilibrium has been established.

This device contains circuitry that will ensure the output devices are in High-Z at power up.

**DC OPERATING CONDITIONS AND CHARACTERISTICS**  
(V<sub>DD</sub> = 3.3 V + 10%, - 5%, T<sub>J</sub> = 20 to + 110°C, Unless Otherwise Noted)

**RECOMMENDED OPERATING CONDITIONS** (Voltages referenced to V<sub>SS</sub> = 0 V)

Parameter	Symbol	Min	Max	Unit	Notes
Supply Voltage (Operating Voltage Range)	V <sub>DD3</sub> V <sub>CC5</sub>	3.135 4.5	3.6 5.5	V	1
Input High Voltage	V <sub>IH</sub>	2.0	V <sub>DD</sub> + 0.3	V	2
Input Low Voltage	V <sub>IL</sub>	- 0.5	0.8	V	3

NOTES:

1. JEDEC specification 8-1A specifies ± 0.3 V tolerance for V<sub>DD</sub>.
2. V<sub>IH</sub> (max) = V<sub>DD</sub> + 0.3 V dc; V<sub>IH</sub> (max) = V<sub>DD</sub> + 1.4 V ac (pulse width ≤ 20 ns) for I ≤ 20.0 mA.
3. V<sub>IL</sub> (min) = - 0.5 V dc; V<sub>IL</sub> (min) = - 2.0 V ac (pulse width ≤ 20 ns) for I ≤ 20.0 mA.

**DC CHARACTERISTICS**

Parameter	Symbol	Min	Max	Unit	Notes
Input Leakage Current (All Inputs, V <sub>in</sub> = 0 to V <sub>DD3</sub> )	I <sub>lkg(I)</sub>	—	± 1.0	μA	
Output Leakage Current (CG = V <sub>IH</sub> )	I <sub>lkg(O)</sub>	—	± 1.0	μA	
TTL Output Low Voltage (I <sub>OL</sub> = + 8.0 mA)	V <sub>OL</sub>	—	0.4	V	1
TTL Output High Voltage (I <sub>OH</sub> = - 4.0 mA)	V <sub>OH</sub>	2.4	—	V	1

NOTES:

1. Champing diodes exist to V<sub>SS</sub> and V<sub>DD</sub>.

**POWER SUPPLY CURRENTS**

Parameter	Symbol	Max	Unit
AC Supply Current (CG = V <sub>IH</sub> , CCS = V <sub>IL</sub> , I <sub>out</sub> = 0 mA, All Inputs = V <sub>IL</sub> or V <sub>IH</sub> , V <sub>IL</sub> = 0.0 V and V <sub>IH</sub> ≥ 3.0 V, Cycle Time ≥ t <sub>KHKH</sub> min)	MCM64PE32 MCM64PE64 I <sub>DDA</sub>	635 700	mA
AC Standby Current (CG = V <sub>IH</sub> , CCS = V <sub>IL</sub> , I <sub>out</sub> = 0 mA, All Inputs = V <sub>IL</sub> or V <sub>IH</sub> , V <sub>IL</sub> = 0.0 V and V <sub>IH</sub> ≥ 3.0 V, Cycle Time ≥ t <sub>KHKH</sub> min)	MCM64PE32 MCM64PE64 I <sub>SB1</sub>	180 220	mA

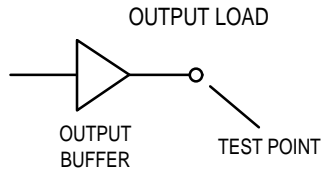
**CAPACITANCE** (f = 1.0 MHz, dV = 3.0 V, T<sub>J</sub> = 20 to 110°C, Periodically Sampled Rather Than 100% Tested)

Parameter	Symbol	Max	Unit
Input Capacitance	C <sub>in</sub>	21	pF
Input/Output Capacitance (DQ0 – DQ63)	C <sub>I/O</sub>	13	pF

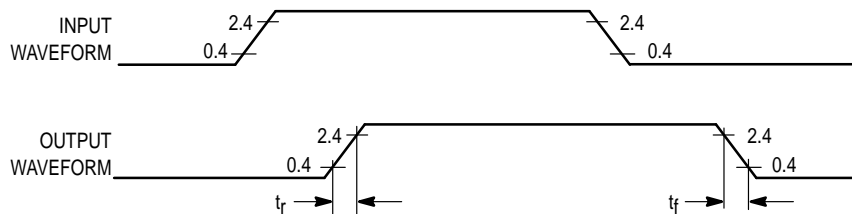
## DATA RAMs AC OPERATING CONDITIONS AND CHARACTERISTICS

( $V_{DD} = 3.3\text{ V} + 10\%$ ,  $-5\%$   $T_J = 20\text{ to } + 110^\circ\text{C}$ , Unless Otherwise Noted)

Input Timing Measurement Reference Level . . . . . 1.5 V	Output Timing Reference Level . . . . . 1.5 V
Input Pulse Levels . . . . . 0 to 3.0 V	Output Load . . . . . See Figure 3 Unless Otherwise Noted
Input Rise/Fall Time . . . . . 2 ns	



### UNLOADED RISE AND FALL TIME MEASUREMENT



**NOTES:**

1. Input waveform has a slew rate of 1 V/ns.
2. Rise time is measured from 0.4 V to 2.4 V unloaded.
3. Fall time is measured from 2.4 V to 0.4 V unloaded.

**Figure 1. Unloaded Rise and Fall Time Characterization**



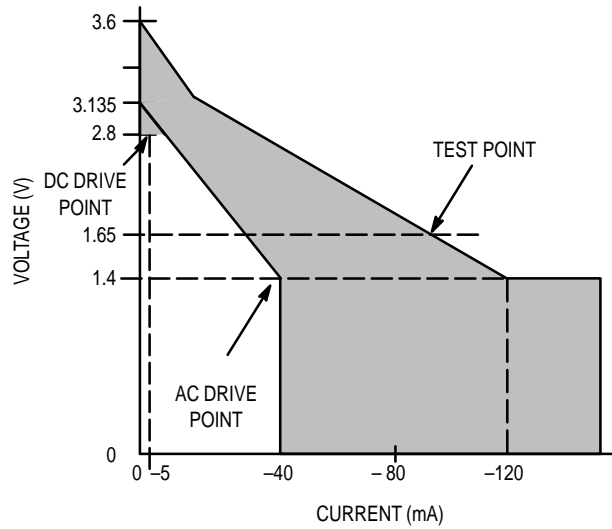
**DATA RAMs READ/WRITE CYCLE TIMING** (See Notes 1, 2, and 3)

Parameter	Symbol	MCM64PE32-66 MCM64PE64-66		Unit	Notes	
		Min	Max			
Cycle Time	t <sub>KHKH</sub>	15	—	ns		
Clock Access Time	t <sub>KHQV</sub>	—	8	ns	5	
Output Enable to Output Valid	t <sub>GLQV</sub>	—	6	ns	5	
Clock High to Output Active	t <sub>KHQX1</sub>	0	—	ns	5, 7	
Clock High to Output Change	t <sub>KHQX2</sub>	2	—	ns	5, 7	
Output Enable to Output Active	t <sub>GLQX</sub>	0	—	ns	5, 7	
Output Disable to Q High-Z	t <sub>GHQZ</sub>	—	8	ns	6, 7	
Clock High to Q High-Z	t <sub>KHQZ</sub>	2	8	ns	6, 7	
Clock High Pulse Width	t <sub>KHKL</sub>	5	—	ns		
Clock Low Pulse Width	t <sub>KLKH</sub>	5	—	ns		
Setup Times:	Address Address Status Data In Write Address Advance Chip Enable	t <sub>AVKH</sub> t <sub>ADSVKH</sub> t <sub>DVKH</sub> t <sub>WVKH</sub> t <sub>ADVVKH</sub> t <sub>EVKH</sub>	2.5	—	ns	4
Hold Times:	Address Address Status Data In Write Address Advance Chip Enable	t <sub>KHAX</sub> t <sub>KHADSX</sub> t <sub>KHDX</sub> t <sub>KHWX</sub> t <sub>KHADVX</sub> t <sub>KHEX</sub>	0.5	—	ns	4

**NOTES:**

1. Write applies to all SBx, SW, and SGW signals when the chip is selected and ADSP high.
2. Chip Enable applies to all SE1, SE2 and SE3 signals whenever ADSP or ADSC is asserted.
3. All read and write cycle timings are referenced from K or G.
4. G is a don't care after write cycle begins. To prevent bus contention, G should be negated prior to start of write cycle.
5. Tested per AC Test Load (See Figure 3a).
6. Measured at ± 200 mV from steady state. Tested per High-Z Test Load (See Figure 3b).
7. This parameter is sampled and is not 100% tested.

PULL-UP		
VOLTAGE (V)	I (mA) MIN	I (mA) MAX
-0.5	-40	-120
0	-40	-120
1.4	-40	-120
1.65	-37	-104
2	-28	-81
3.135	0	-20
3.6	0	0

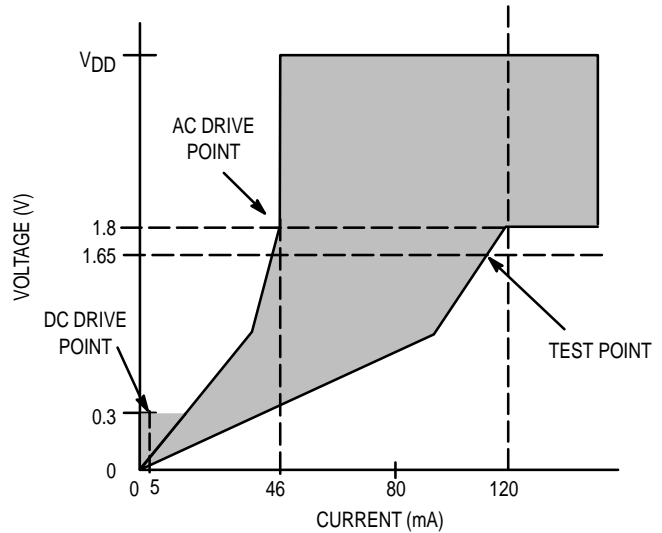


NOTES:

1. Driver impedance @ 1.65 V = 15.9 to 44.6  $\Omega$ .
2. Meets the temperature and voltage range specified in DC Characteristics tables.
3. This drawing is not to scale. Comparisons should be made to the table in Figure 2a.

**a. Pull-Up**

PULL-DOWN		
VOLTAGE (V)	I (mA) MIN	I (mA) MAX
-0.5	-34	-126
0	0	0
0.5	17	47
1	35	90
1.65	45	114
1.8	46	120
3.6	46	120
4	46	120



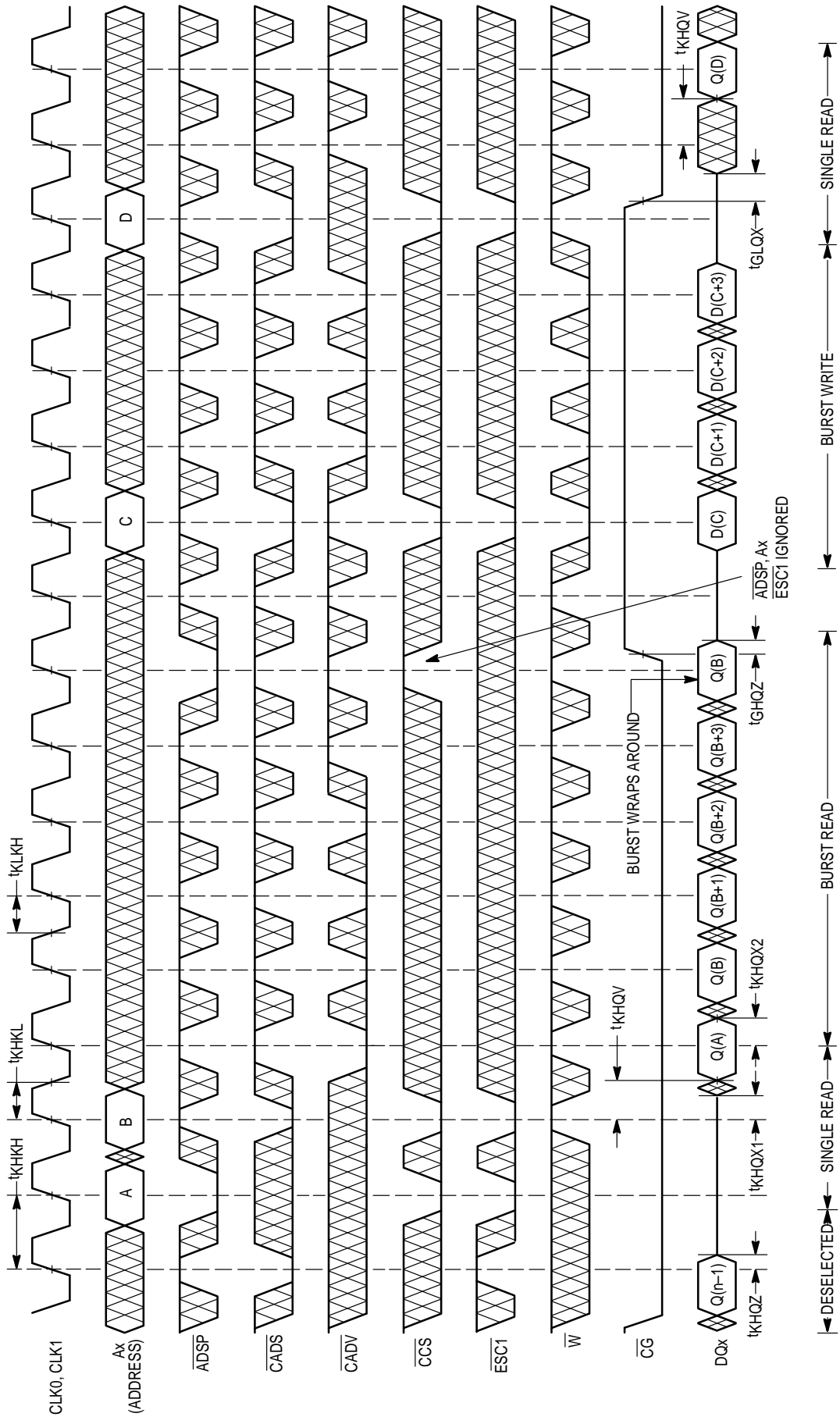
NOTES:

1. Driver impedance @ 1.65 V = 15.9 to 44.6  $\Omega$ .
2. Meets the temperature and voltage range specified in DC Characteristics tables.
3. This drawing is not to scale. Comparisons should be made to the table in Figure 2b.

**b. Pull-Down**

**Figure 2. Output Buffer Characteristics**

DATA RAMs READ/WRITE CYCLES



NOTE:  $\overline{W}$  low =  $\overline{GWE}$  low and/or  $\overline{BWE}$  and  $\overline{CWEx}$  low.

## TAG RAM AC OPERATING CONDITIONS AND CHARACTERISTICS

( $V_{DD} = 5\text{ V} \pm 10\% \text{ V}$ ,  $T_J = 20$  to  $+110^\circ\text{C}$ , Unless Otherwise Noted)

Input Timing Measurement Reference Level ..... 1.5 V  
 Input Pulse Levels ..... 0 to 3.0 V  
 Input Rise/Fall Time ..... 2 ns

Output Timing Measurement Reference Level ..... 1.5 V  
 Output Load ..... Figure 3 Unless Otherwise Noted

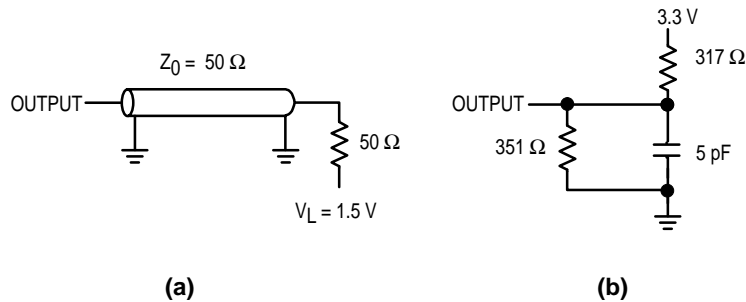
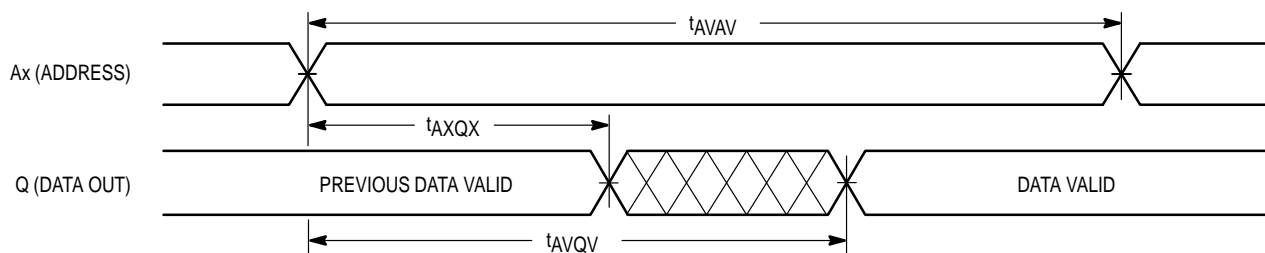
### TAG RAM READ CYCLE (See Notes 1 and 2)

Parameter	Symbol	- 15		Unit	Notes
		Min	Max		
Read Cycle Time	$t_{AVAV}$	15	—	ns	3
Address Access Time	$t_{AVQV}$	—	15	ns	
Output Hold from Address Change	$t_{AXQX}$	5	—	ns	4, 5

#### NOTES:

1.  $\overline{CWE}$  is high for read cycle.
2. Device is continuously selected ( $\overline{CG} = V_{IL}$ ).
3. All timings are referenced from the last valid address to the first address transition.
4. Transition is measured  $\pm 500$  mV from steady-state voltage with load of Figure 3B.
5. This parameter is sampled and not 100% tested.

### TAG RAM READ CYCLE (See Note 5)



**Figure 3. Test Loads**

#### TIMING LIMITS

The table of timing values shows either a minimum or a maximum limit for each parameter. Input requirements are specified from the external system point of view. Thus, address setup time is shown as a minimum since the system must supply at least that much time. On the other hand, responses from the memory are specified from the device point of view. Thus, the access time is shown as a maximum since the device never provides data later than that time.

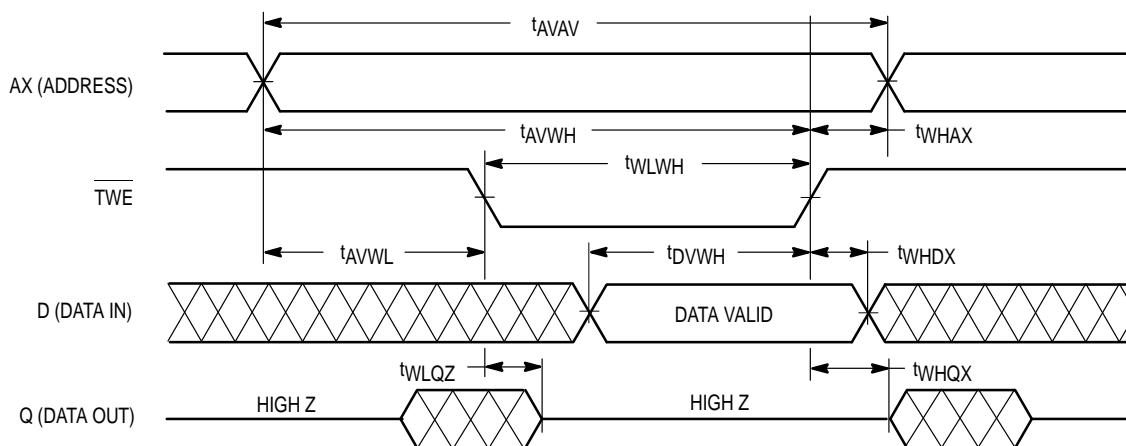
**TAG RAM WRITE CYCLE** (See Notes 1 and 2)

Parameter	Symbol	- 15		Unit	Notes
		Min	Max		
Write Cycle Time	$t_{AVAV}$	15	—	ns	3
Address Setup Time	$t_{AVWL}$	0	—	ns	
Address Valid to End of Write	$t_{AVWH}$	12	—	ns	
Data Valid to End of Write	$t_{DVWH}$	7	—	ns	
Data Hold Time	$t_{WHDX}$	0	—	ns	
Write Low to Output High-Z	$t_{WLQZ}$	0	7	ns	5,6,7
Write High to Output Active	$t_{WHQX}$	5	—	ns	5,6,7
Write Recovery Time	$t_{WHAX}$	0	—	ns	

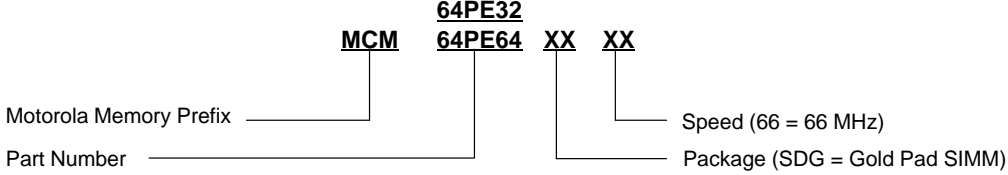
NOTES:

1. A write occurs when  $\overline{CWE}$  is low.
2. If  $\overline{CG}$  goes low coincident with or after  $\overline{CWE}$  goes low, the output will remain in a high impedance state.
3. All timings are referenced from the last valid address to the first address transition.
4. If  $\overline{CG} \geq V_{IH}$ , the output will remain in a high impedance state.
5. At any given voltage and temperature,  $t_{WLQZ}$  (max) is less than  $t_{WHQX}$  (min), both for a given device and from device to device.
6. Transition is measured  $\pm 500$  mV from steady-state voltage with load of Figure 3b.
7. This parameter is sampled and not 100% tested.

**TAG RAM WRITE CYCLE** (See Notes 1 and 2)



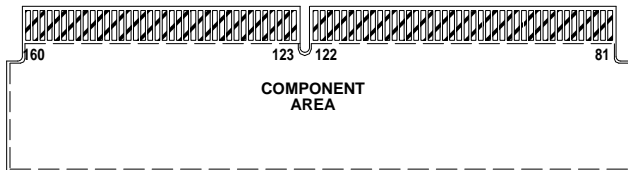
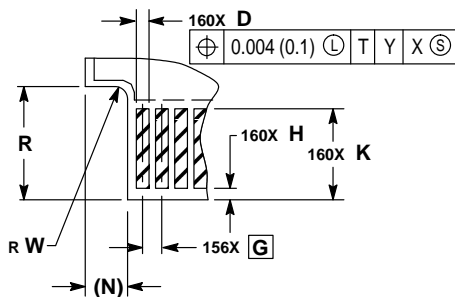
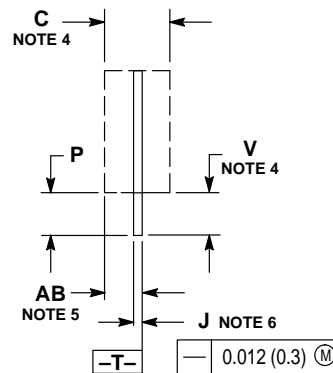
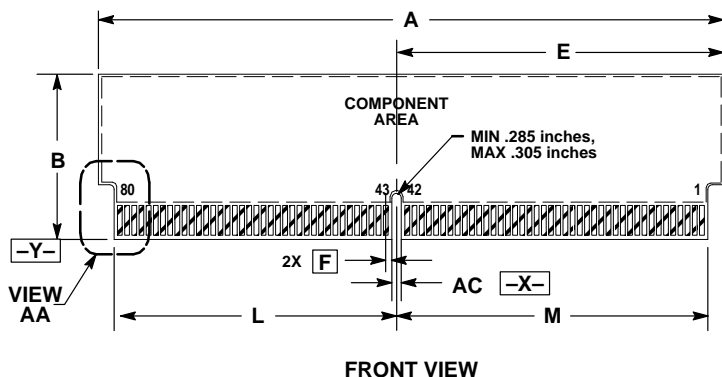
**ORDERING INFORMATION**  
(Order by Full Part Number)



Full Part Number — MCM64PE32SDG66 MCM64PE64SDG66

**PACKAGE DIMENSIONS**


**160-LEAD  
CARD EDGE MODULE  
CASE TBD**



- NOTES:
1. DIMENSIONING AND TOLERANCING PER ANSI Y14.5M, 1982.
  2. CONTROLLING DIMENSION: INCH.
  3. CARD THICKNESS APPLIES ACROSS TABS AND INCLUDES PLATING AND/OR METALLIZATION.
  4. DIMENSIONS C AND V DEFINE A DOUBLE-SIDED MODULE.
  5. DIMENSION AB DEFINES OPTIONAL SINGLE-SIDED MODULE.
  6. STRAIGHTNESS CALLOUT APPLIES TO TAB AREA ONLY.

DIM	INCHES		MILLIMETERS	
	MIN	MAX	MIN	MAX
A	4.330	4.350	109.98	110.49
B	1.120	1.140	28.45	28.96
C	—	0.454	—	11.53
D	0.033	0.037	0.84	0.94
E	2.265	2.275	57.53	57.79
F	0.075 BSC		1.91 BSC	
G	0.050 BSC		1.27 BSC	
H	—	0.030	—	0.51
J	0.055	0.069	1.40	1.75
K	0.210	—	5.33	—
L	1.955	1.965	49.66	49.91
M	2.155	2.165	54.74	54.99
N	0.110 REF		2.79 REF	
P	0.300	—	7.62	—
R	0.492	0.512	7.24	7.75
V	0.300	—	7.62	—
W	0.040	0.060	1.02	1.52
AB	—	0.262	—	6.66
AC	0.072	0.076	1.83	1.93

NOTE: Case Outline number to be determined.

Motorola reserves the right to make changes without further notice to any products herein. Motorola makes no warranty, representation or guarantee regarding the suitability of its products for any particular purpose, nor does Motorola assume any liability arising out of the application or use of any product or circuit, and specifically disclaims any and all liability, including without limitation consequential or incidental damages. "Typical" parameters which may be provided in Motorola data sheets and/or specifications can and do vary in different applications and actual performance may vary over time. All operating parameters, including "Typicals" must be validated for each customer application by customer's technical experts. Motorola does not convey any license under its patent rights nor the rights of others. Motorola products are not designed, intended, or authorized for use as components in systems intended for surgical implant into the body, or other applications intended to support or sustain life, or for any other application in which the failure of the Motorola product could create a situation where personal injury or death may occur. Should Buyer purchase or use Motorola products for any such unintended or unauthorized application, Buyer shall indemnify and hold Motorola and its officers, employees, subsidiaries, affiliates, and distributors harmless against all claims, costs, damages, and expenses, and reasonable attorney fees arising out of, directly or indirectly, any claim of personal injury or death associated with such unintended or unauthorized use, even if such claim alleges that Motorola was negligent regarding the design or manufacture of the part. Motorola and  are registered trademarks of Motorola, Inc. Motorola, Inc. is an Equal Opportunity/Affirmative Action Employer.

**How to reach us:**

**USA/EUROPE/Locations Not Listed:** Motorola Literature Distribution;  
P.O. Box 5405; Denver, Colorado 80217. 1-800-441-2447

**JAPAN:** Nippon Motorola Ltd.; Tatsumi-SPD-JLDC, 6F Seibu-Butsuryu-Center,  
3-14-2 Tatsumi Koto-Ku, Tokyo 135, Japan. 81-3-3521-8315

**Mfax™:** RMFAX0@email.sps.mot.com – TOUCHTONE 602-244-6609  
**INTERNET:** <http://Design-NET.com>

**ASIA/PACIFIC:** Motorola Semiconductors H.K. Ltd.; 8B Tai Ping Industrial Park,  
51 Ting Kok Road, Tai Po, N.T., Hong Kong. 852-26629298



**MOTOROLA**



**MCM64PE32/D**