

2 μ A Low Dropout Positive Voltage Regulator

Features

- 2.0 μ A Typical Quiescent Current
- Input Operating Voltage Range up to 10.0V
- Low Dropout Voltage:
 - 250 mV (typ.) @ 100 mA
 - 500 mV (typ.) @ 200 mA
- High Output Current: 250 mA ($V_{OUT} = 5.0V$)
- High-Accuracy Output Voltage: $\pm 2\%$ (max)
- Low Temperature Drift: ± 100 ppm/ $^{\circ}C$ (typ.)
- Excellent Line Regulation: 0.2%/V (typ.)
- Package Options: 3-Pin SOT-23A, 3-Pin SOT-89 and 3-Pin TO-92
- Short-Circuit Protection
- Standard Output Voltage Options:
 - 1.8V, 2.5V, 3.0V, 3.3V, 5.0V

Applications

- Battery-Powered Devices
- Battery-Powered Alarm Circuits
- Smoke Detectors
- CO² Detectors
- Smart Battery Packs
- PDAs
- Low Quiescent Current Voltage Reference
- Cameras and Portable Video Equipment
- Pagers and Cellular Phones
- Solar-Powered Instruments
- Consumer Products
- Microcontroller Power

Related Literature

- AN765, "Using Microchip's Micropower LDOs", DS00765, Microchip Technology Inc., 2002
- AN766, "Pin-Compatible CMOS Upgrades to Bipolar LDOs", DS00766, Microchip Technology Inc., 2002

General Description

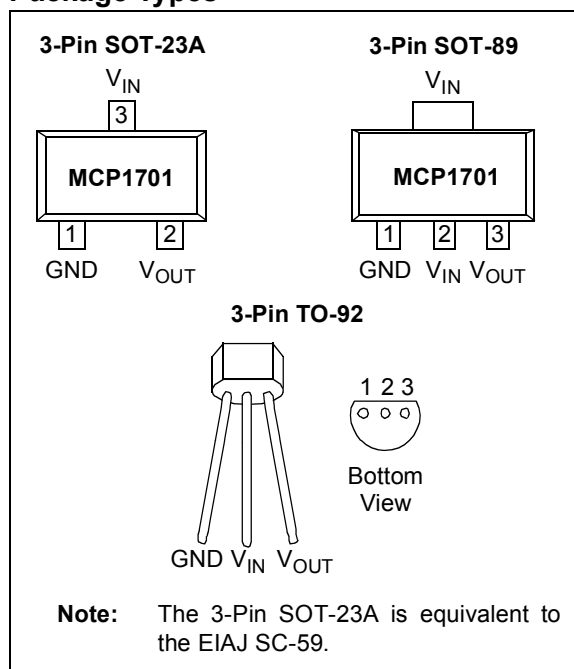
The MCP1701 is a family of CMOS low dropout (LDO), positive voltage regulators that can deliver up to 250 mA of current while consuming only 2.0 μ A of quiescent current (typical). The input operating range is specified up to 10V, making it ideal for lithium-ion (one or two cells), 9V alkaline and other two and three primary cell battery-powered applications.

The MCP1701 is capable of delivering 250 mA with an input-to-output voltage differential (dropout voltage) of 650 mV. The low dropout voltage extends the battery operating lifetime. It also permits high currents in small packages when operated with minimum $V_{IN} - V_{OUT}$ differentials.

The MCP1701 has a tight tolerance output voltage regulation of $\pm 0.5\%$ (typical) and very good line regulation at $\pm 0.2\%$. The LDO output is stable when using only 1 μ F of output capacitance of either tantalum or aluminum-electrolytic style capacitors. The MCP1701 LDO also incorporates short-circuit protection to ensure maximum reliability.

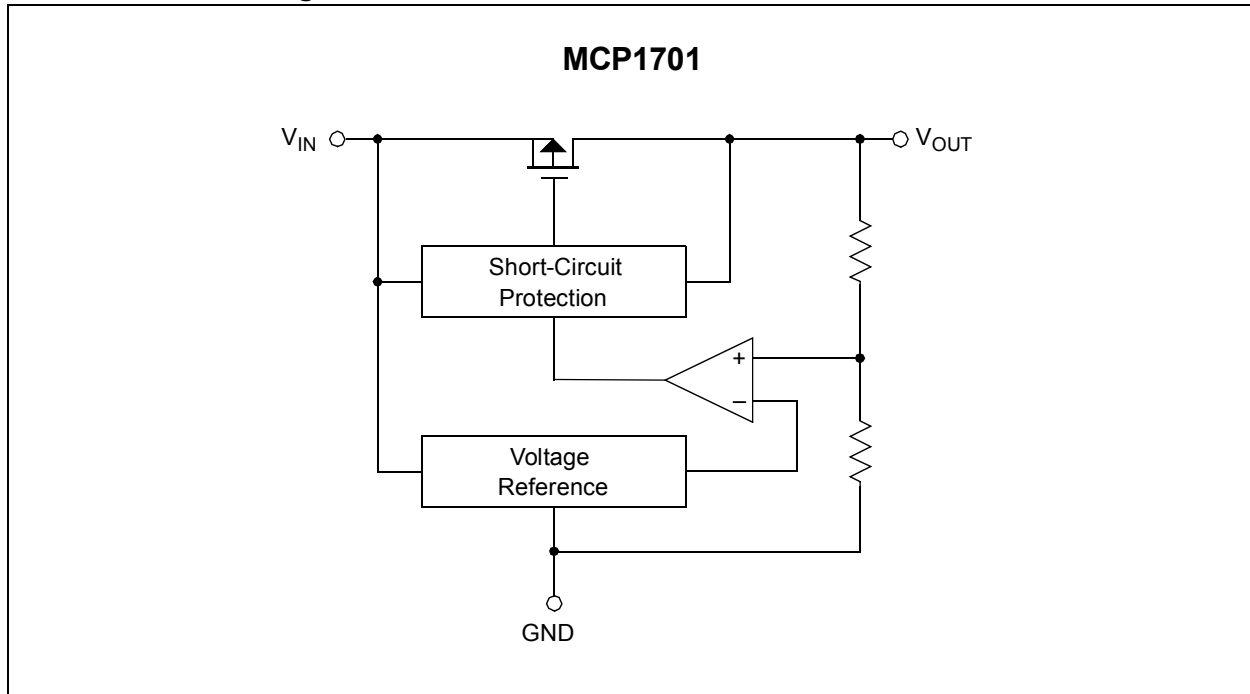
Package options include the 3-Pin SOT-23A, 3-Pin SOT-89 and 3-Pin TO-92.

Package Types

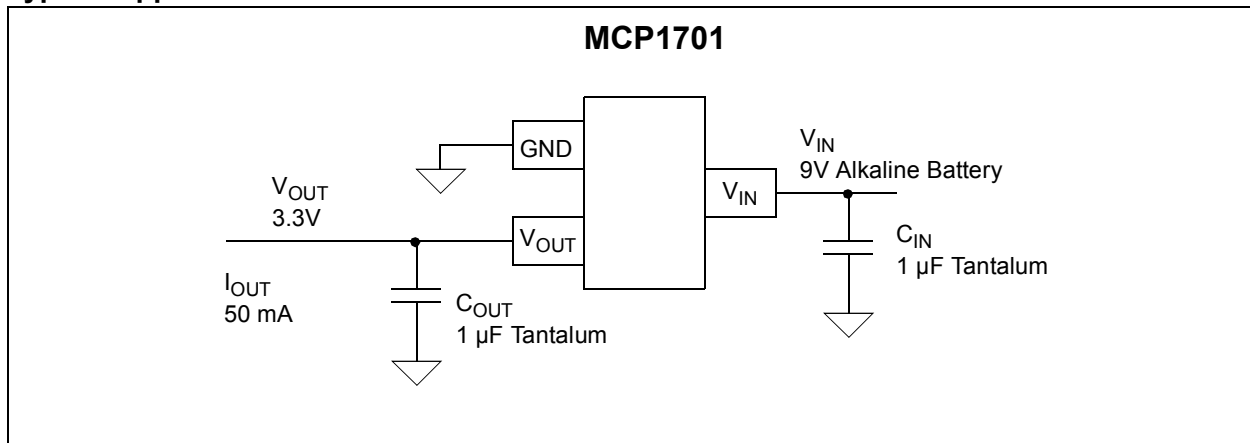


MCP1701

Functional Block Diagram



Typical Application Circuits



1.0 ELECTRICAL CHARACTERISTICS

Absolute Maximum Ratings†

Input Voltage	+12V
Output Current (Continuous).....	$P_D / (V_{IN} - V_{OUT})$ mA
Output Current (peak)	500 mA
Output Voltage	(GND – 0.3V) to ($V_{IN} + 0.3V$)
Continuous Power Dissipation:	
3-Pin SOT-23A	150 mW
3-Pin SOT-89	500 mW
3-Pin TO-92	300 mW

† Stresses above those listed under “Absolute Maximum Ratings” may cause permanent damage to the device. These are stress ratings only and functional operation of the device at these or any other conditions above those indicated in the operation sections of the specifications is not implied. Exposure to Absolute Maximum Rating conditions for extended periods may affect device reliability.

PIN FUNCTION TABLE

Symbol	Description
GND	Ground Terminal
V_{OUT}	Regulated Voltage Output
V_{IN}	Unregulated Supply Input

ELECTRICAL CHARACTERISTICS

Electrical Specifications: Unless otherwise specified, all limits are established for an ambient temperature of $T_A = +25^\circ\text{C}$.						
Parameters	Sym	Min	Typ	Max	Units	Conditions
Output Voltage Regulation	V_{OUT}	$V_R - 2\%$	$V_R \pm 0.5\%$	$V_R + 2\%$	V	$I_{OUT} = 40 \text{ mA}$, (Note 1)
Maximum Output Current	I_{OUTMAX}	250 200 150 150 125 110	— — — — — —	— — — — — —	mA	$V_{OUT} = 5.0V$ ($V_{IN} = V_R + 1.0V$) $V_{OUT} = 4.0V$ $V_{OUT} = 3.3V$ $V_{OUT} = 3.0V$ $V_{OUT} = 2.5V$ $V_{OUT} = 1.8V$
Load Regulation (Note 3)	$\Delta V_{OUT} / V_{OUT}$	-1.60 -2.25 -2.72 -3.00 -3.60 -1.60	± 0.8 ± 1.1 ± 1.3 ± 1.5 ± 1.8 ± 0.8	+1.60 +2.25 +2.72 +3.00 +3.60 +1.60	%	$V_{OUT} = 5.0V$, $1 \text{ mA} \leq I_{OUT} \leq 100 \text{ mA}$ $V_{OUT} = 4.0V$, $1 \text{ mA} \leq I_{OUT} \leq 100 \text{ mA}$ $V_{OUT} = 3.3V$, $1 \text{ mA} \leq I_{OUT} \leq 80 \text{ mA}$ $V_{OUT} = 3.0V$, $1 \text{ mA} \leq I_{OUT} \leq 80 \text{ mA}$ $V_{OUT} = 2.5V$, $1 \text{ mA} \leq I_{OUT} \leq 60 \text{ mA}$ $V_{OUT} = 1.8V$, $1 \text{ mA} \leq I_{OUT} \leq 30 \text{ mA}$
Dropout Voltage	$V_{IN} - V_{OUT}$	— — — — — —	400 400 400 400 400 180	630 630 700 700 700 300	mV	$I_{OUT} = 200 \text{ mA}$, $V_R = 5.0V$ $I_{OUT} = 200 \text{ mA}$, $V_R = 4.0V$ $I_{OUT} = 160 \text{ mA}$, $V_R = 3.3V$ $I_{OUT} = 160 \text{ mA}$, $V_R = 3.0V$ $I_{OUT} = 120 \text{ mA}$, $V_R = 2.5V$ $I_{OUT} = 20 \text{ mA}$, $V_R = 1.8V$
Input Quiescent Current	I_Q	—	2.0	3.0	μA	$V_{IN} = V_R + 1.0V$
Line Regulation	$\frac{\Delta V_{OUT} \cdot 100}{\Delta V_{IN} \cdot V_{OUT}}$	—	0.2	0.3	%/V	$I_{OUT} = 40 \text{ mA}$, $(V_R + 1) \leq V_{IN} \leq 10.0V$
Input Voltage	V_{IN}	—	—	10	V	
Temperature Coefficient of Output Voltage	TCV_{OUT}	—	± 100	—	ppm/ $^\circ\text{C}$	$I_{OUT} = 40 \text{ mA}$, $-40^\circ\text{C} \leq T_A \leq +85^\circ\text{C}$, (Note 2)
Output Rise Time	T_R	—	200	—	μsec	10% V_R to 90% V_R , $V_{IN} = 0V$ to $V_R + 1V$, $R_L = 25\Omega$ resistive.

- 1: V_R is the nominal regulator output voltage. For example: $V_R = 1.8V, 2.5V, 3.3V, 4.0V, 5.0V$.
The input voltage $V_{IN} = V_R + 1.0V$, $I_{OUT} = 40 \text{ mA}$.
- 2: $TCV_{OUT} = (V_{OUT-HIGH} - V_{OUT-LOW}) \cdot 10^6 / (V_R \cdot \Delta\text{Temperature})$, $V_{OUT-HIGH}$ is equal to the highest voltage measured over the temperature range, while $V_{OUT-LOW}$ is equal to the lowest voltage measured over the temperature range.
- 3: Load regulation is measured at a constant junction temperature using low duty cycle pulse testing.

MCP1701

TEMPERATURE CHARACTERISTICS

Electrical Specifications: Unless otherwise specified, $T_A = +25^{\circ}\text{C}$.						
Parameters	Sym	Min	Typ	Max	Units	Conditions
Temperature Ranges						
Specified Temperature Range (I)	T_A	-40	—	+85	$^{\circ}\text{C}$	
Storage Temperature Range	T_A	-40	—	+125	$^{\circ}\text{C}$	
Package Thermal Resistances						
Thermal Resistance, 3L-SOT-23A	θ_{JA}	—	335	—	$^{\circ}\text{C/W}$	Minimum trace width single layer application.
		—	230	—	$^{\circ}\text{C/W}$	Typical FR4, 4-layer application.
Thermal Resistance, 3L-SOT-89	θ_{JA}	—	52	—	$^{\circ}\text{C/W}$	Typical when mounted on 1 square inch of copper.
Thermal Resistance, 3L-TO-92	θ_{JA}	—	131.9	—	$^{\circ}\text{C/W}$	EIA/JEDEC JESD51-751-7 4-layer board.

2.0 TYPICAL PERFORMANCE CURVES

Note: The graphs and tables provided following this note are a statistical summary based on a limited number of samples and are provided for informational purposes only. The performance characteristics listed herein are not tested or guaranteed. In some graphs or tables, the data presented may be outside the specified operating range (e.g., outside specified power supply range) and therefore outside the warranted range.

Notes: Unless otherwise specified, $V_{OUT} = 1.8V, 3.0V, 5.0V$, $T_A = +25^\circ C$, $C_{IN} = 1 \mu F$ Tantalum, $C_{OUT} = 1 \mu F$ Tantalum.

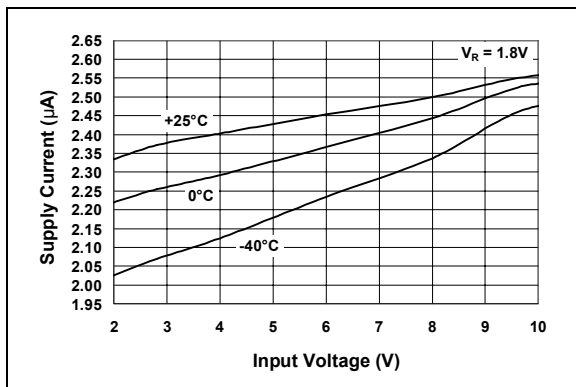


FIGURE 2-1: Supply Current vs. Input Voltage ($V_R = 1.8V$).

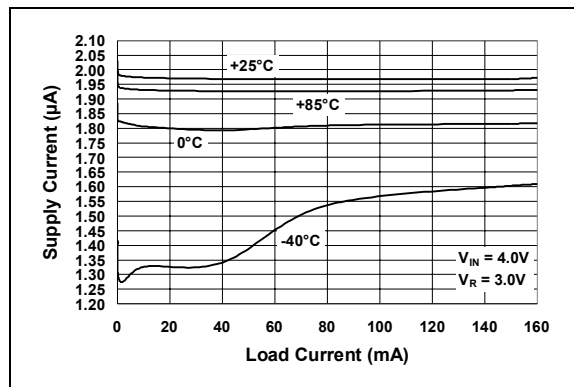


FIGURE 2-4: Supply Current vs. Load Current ($V_R = 3.0V$).

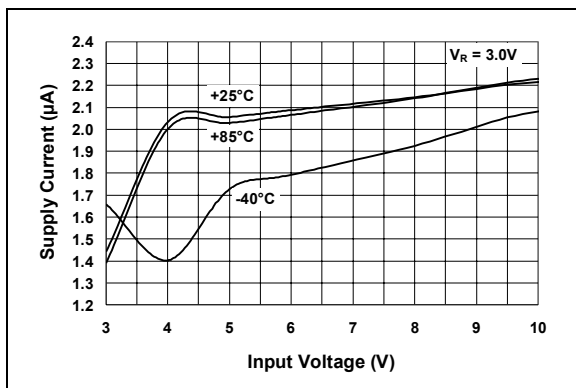


FIGURE 2-2: Supply Current vs. Input Voltage ($V_R = 3.0V$).

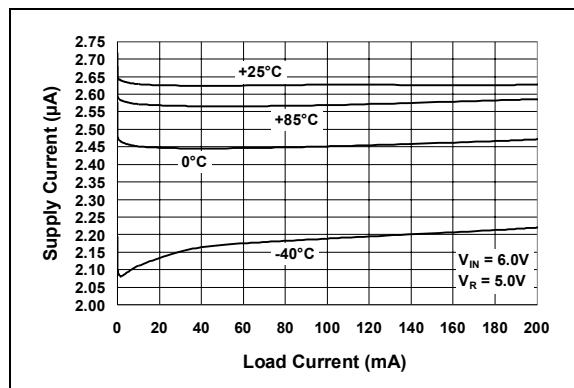


FIGURE 2-5: Supply Current vs. Load Current ($V_R = 5.0V$).

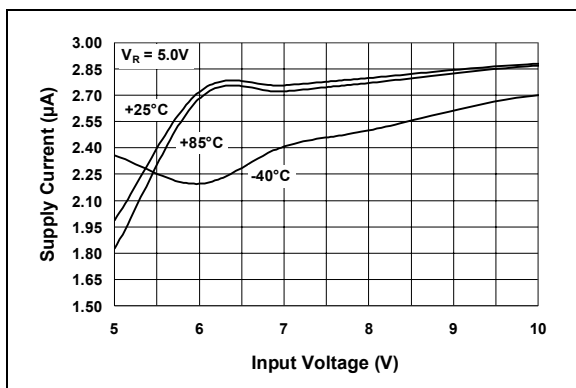


FIGURE 2-3: Supply Current vs. Input Voltage ($V_R = 5.0V$).

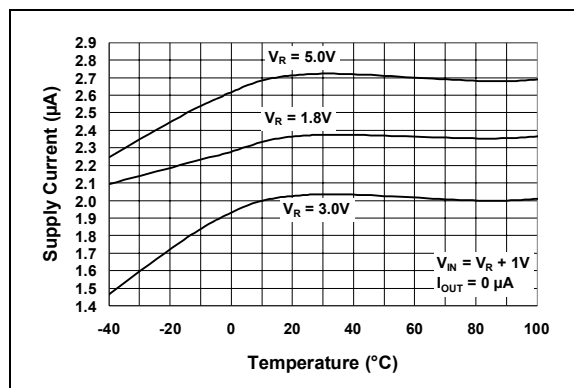


FIGURE 2-6: Supply Current vs. Temperature.

MCP1701

Note: Unless otherwise indicated, $V_{OUT} = 1.8V, 3.0V, 5.0V$, $T_A = +25^\circ C$, $C_{IN} = 1 \mu F$ Tantalum, $C_{OUT} = 1 \mu F$ Tantalum.

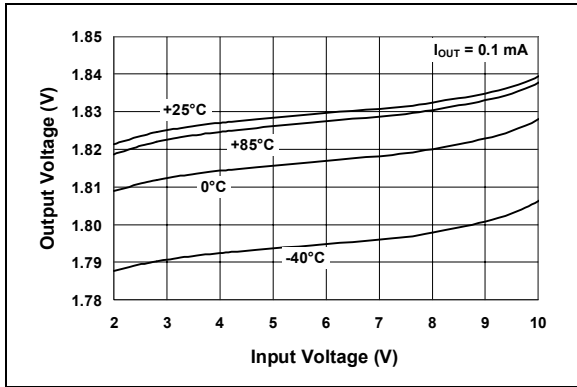


FIGURE 2-7: Output Voltage vs. Input Voltage ($V_R = 1.8V$).

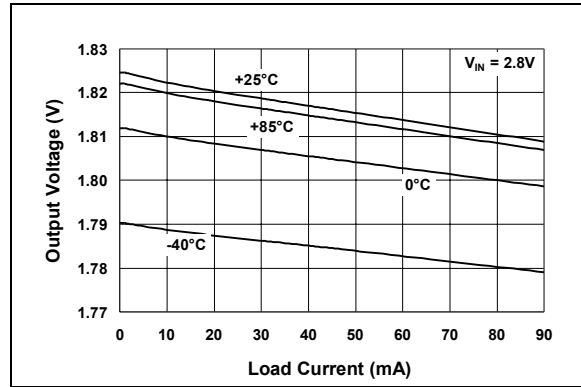


FIGURE 2-10: Output Voltage vs. Load Current ($V_R = 1.8V$).

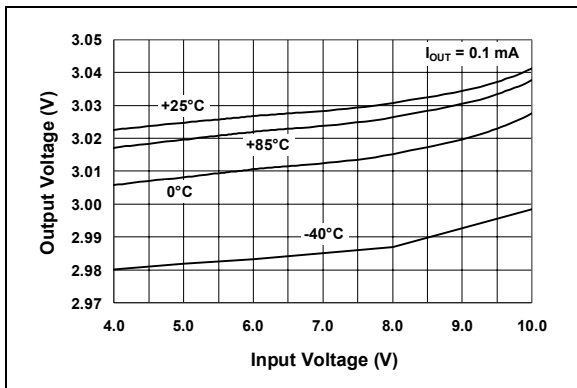


FIGURE 2-8: Output Voltage vs. Input Voltage ($V_R = 3.0V$).

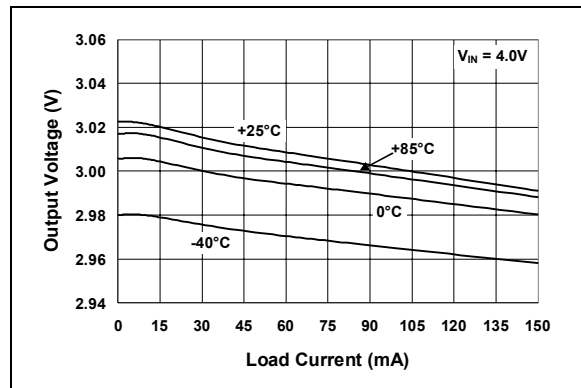


FIGURE 2-11: Output Voltage vs. Load Current ($V_R = 3.0V$).

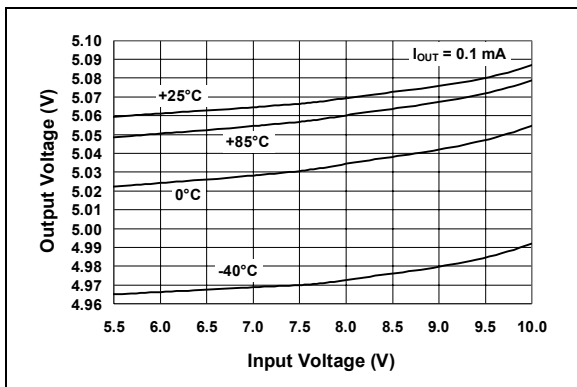


FIGURE 2-9: Output Voltage vs. Input Voltage ($V_R = 5.0V$).

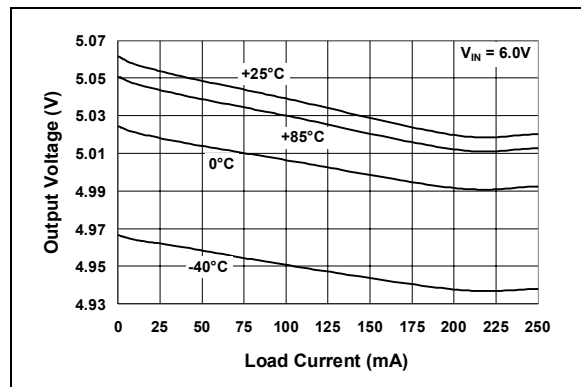


FIGURE 2-12: Output Voltage vs. Load Current ($V_R = 5.0V$).

Note: Unless otherwise indicated, $V_{OUT} = 1.8V, 3.0V, 5.0V$, $T_A = +25^\circ C$, $C_{IN} = 1 \mu F$ Tantalum, $C_{OUT} = 1 \mu F$ Tantalum.

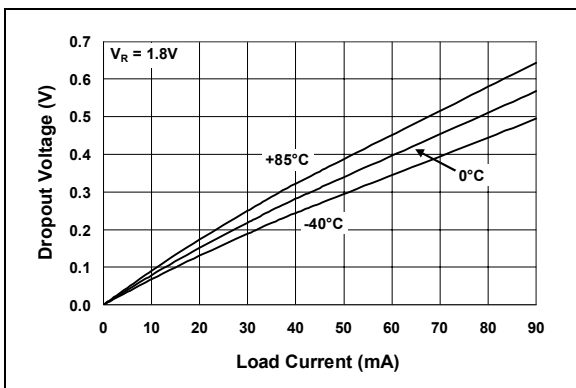


FIGURE 2-13: Dropout Voltage vs. Load Current ($V_R = 1.8V$).

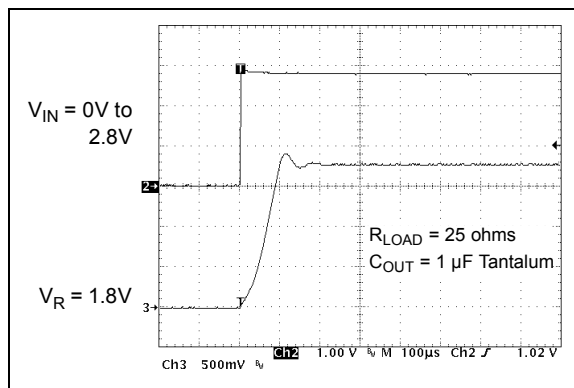


FIGURE 2-16: Start-up From V_{IN} ($V_R = 1.8V$).

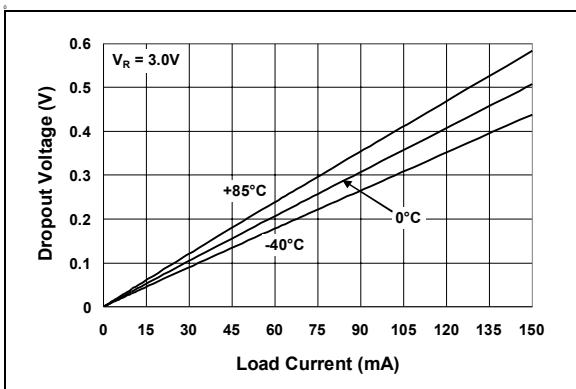


FIGURE 2-14: Dropout Voltage vs. Load Current ($V_R = 3.0V$).

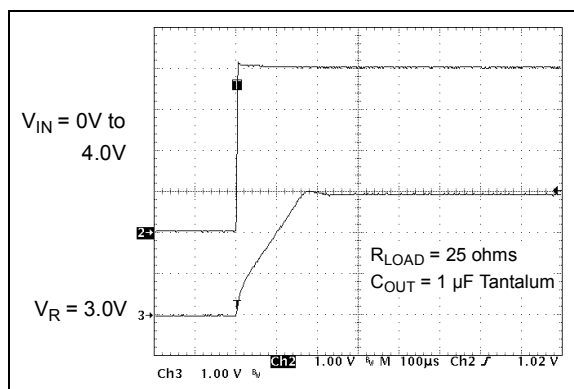


FIGURE 2-17: Start-up From V_{IN} ($V_R = 3.0V$).

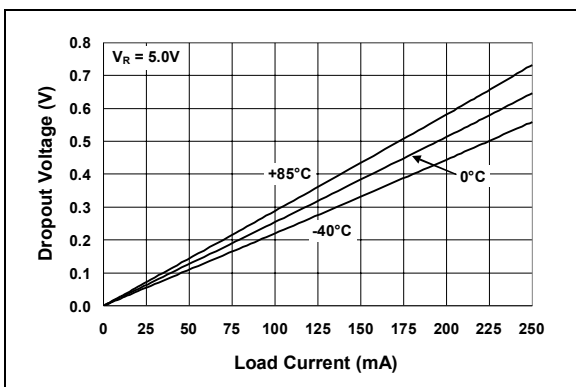


FIGURE 2-15: Dropout Voltage vs. Load Current ($V_R = 5.0V$).

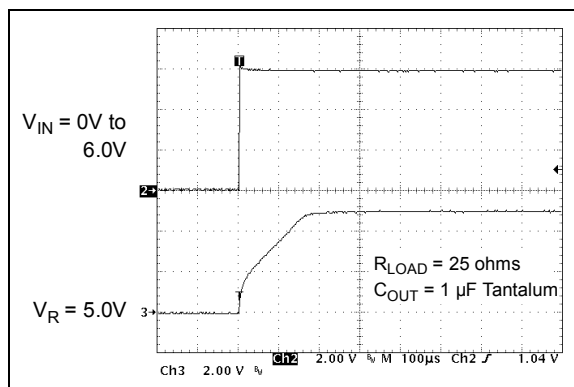


FIGURE 2-18: Start-up From V_{IN} ($V_R = 5.0V$).

MCP1701

Note: Unless otherwise indicated, $V_{OUT} = 1.8V, 3.0V, 5.0V$, $T_A = +25^\circ C$, $C_{IN} = 1 \mu F$ Tantalum, $C_{OUT} = 1 \mu F$ Tantalum.

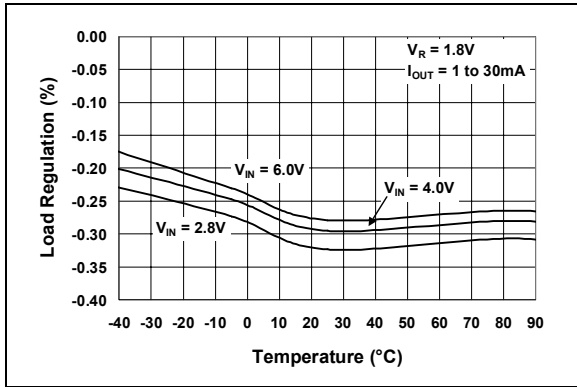


FIGURE 2-19: Load Regulation vs. Temperature ($V_R = 1.8V$).

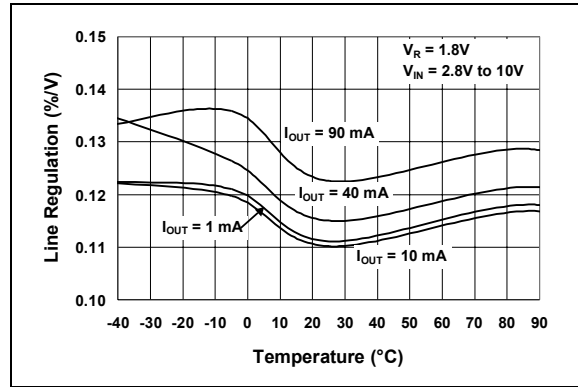


FIGURE 2-22: Line Regulation vs. Temperature ($V_R = 1.8V$).

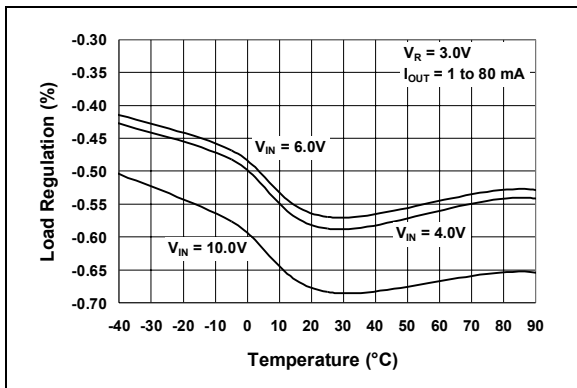


FIGURE 2-20: Load Regulation vs. Temperature ($V_R = 3.0V$).

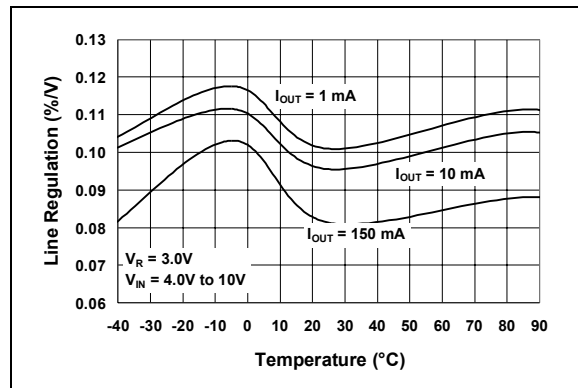


FIGURE 2-23: Line Regulation vs. Temperature ($V_R = 3.0V$).

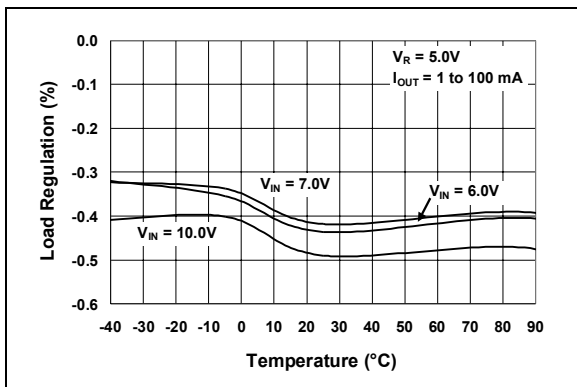


FIGURE 2-21: Load Regulation vs. Temperature ($V_R = 5.0V$).

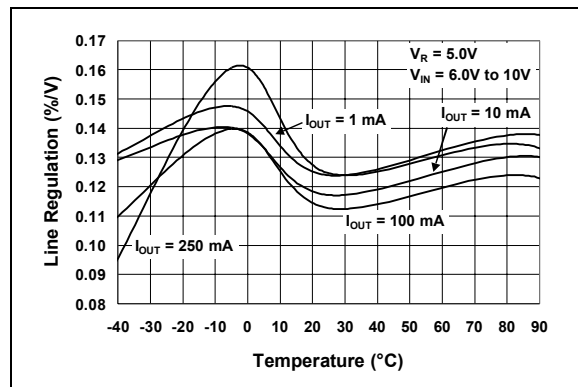


FIGURE 2-24: Line Regulation vs. Temperature ($V_R = 5.0V$).

3.0 PIN DESCRIPTIONS

The descriptions of the pins are listed in Table 3-1.

TABLE 3-1: PIN FUNCTION TABLE

Pin No. SOT-23A	Pin No. SOT-89	Pin No. TO-92	Name	Function
1	1	1	GND	Ground terminal
2	3	3	V _{OUT}	Regulated voltage output
3	2	2	V _{IN}	Unregulated supply input

3.1 Ground Terminal (GND)

Regulator ground. Tie GND to the negative side of both the output and the input capacitor. Only the LDO bias current (2 μ A, typical) flows out of this pin, as there is no high current. The LDO output regulation is referenced to this pin. Minimize voltage drops between this pin and the negative side of the load.

3.2 Regulated Voltage Output (V_{OUT})

Connect V_{OUT} to the positive side of the load and the positive terminal of the output capacitor. The positive side of the output capacitor should be located as close as possible to the LDO V_{OUT} pin. The current flowing out of this pin is equal to the DC load current.

3.3 Unregulated Supply Input (V_{IN})

Connect the input supply voltage and the positive side of the input capacitor to V_{IN}. Like all low dropout linear regulators, low source impedance is necessary for the stable operation of the LDO. The amount of capacitance required to ensure low source impedance will depend on the proximity of the input source capacitors or battery type. The input capacitor should be located as close as possible to the V_{IN} pin. For most applications, 1 μ F of capacitance will ensure stable operation of the LDO circuit. For applications that have load currents below 100 mA, the input capacitance requirement can be lowered. The type of capacitor used can be ceramic, tantalum or aluminum-electrolytic. The low ESR characteristics of the ceramic will yield better noise and PSRR performance at high frequencies. The current flow into this pin is equal to the DC load current, plus the LDO bias current (2 μ A, typical).

MCP1701

4.0 DETAILED DESCRIPTION

The MCP1701 is a low quiescent current, precision, fixed-output voltage LDO. Unlike bipolar regulators, the MCP1701 supply current does not increase proportionally with load current.

4.1 Output Capacitor

A minimum of 1 μF output capacitor is required. The output capacitor should have an effective series resistance (esr) greater than 0.1 Ω and less than 5 Ω , plus a resonant frequency above 1 MHz. Larger output capacitors can be used to improve supply noise rejection and transient response. Care should be taken when increasing C_{OUT} to ensure that the input impedance is not high enough to cause high input impedance oscillation.

4.2 Input Capacitor

A 1 μF input capacitor is recommended for most applications when the input impedance is on the order of 10 Ω . Larger input capacitance may be required for stability when operating from a battery input, or if there is a large distance from the input source to the LDO. When large values of output capacitance are used, the input capacitance should be increased to prevent high source impedance oscillations.

4.3 Overcurrent

The MCP1701 internal circuitry monitors the amount of current flowing through the P-channel pass transistor. In the event of a short-circuit or excessive output current, the MCP1701 will act to limit the output current.

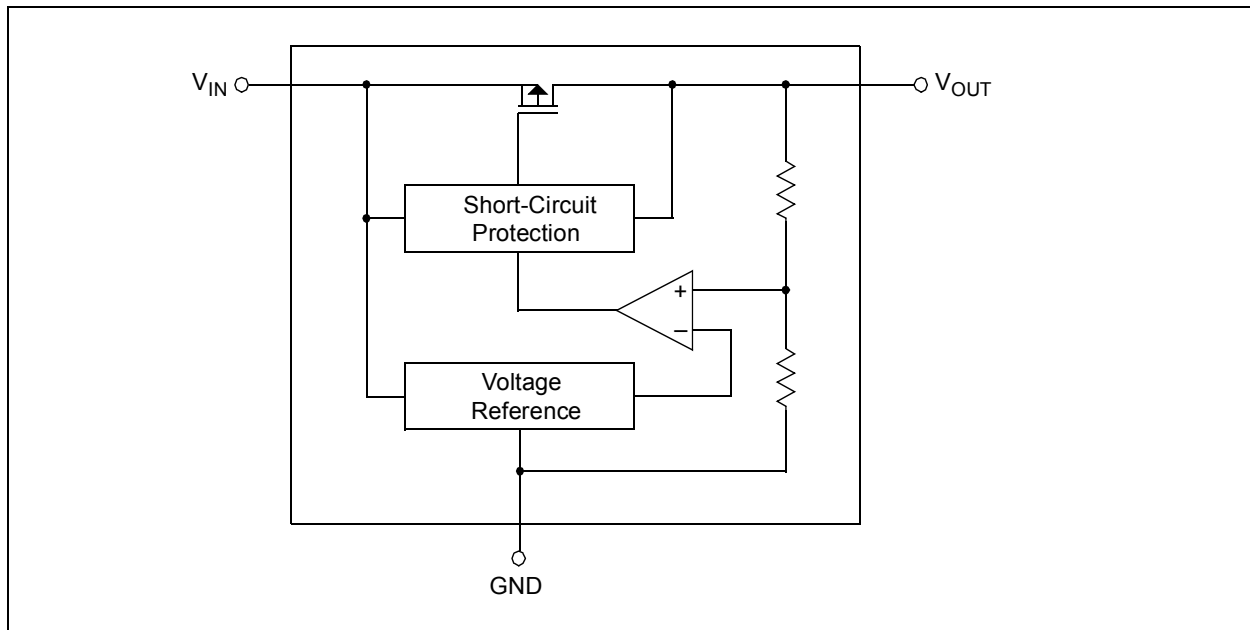


FIGURE 4-1: MCP1701 Block Diagram.

5.0 THERMAL CONSIDERATIONS

5.1 Power Dissipation

The amount of power dissipated internal to the LDO linear regulator is the sum of the power dissipation within the linear pass device (P-channel MOSFET) and the quiescent current required to bias the internal reference and error amplifier. The internal linear pass device power dissipation is calculated as shown in Equation 5-1.

EQUATION 5-1:

$$P_D (\text{Pass Device}) = (V_{IN} - V_{OUT}) \times I_{OUT}$$

The internal power dissipation, which is due to the bias current for the LDO internal reference and error amplifier, is calculated as shown in Equation 5-2.

EQUATION 5-2:

$$P_D (\text{Bias}) = V_{IN} \times I_{GND}$$

The total internal power dissipation is the sum of P_D (Pass Device) and P_D (Bias).

EQUATION 5-3:

$$P_{TOTAL} = P_D (\text{Pass Device}) + P_D (\text{Bias})$$

For the MCP1701, the internal quiescent bias current is so low (2 μ A, typical) that the P_D (Bias) term of the power dissipation equation can be ignored. The maximum power dissipation can be estimated by using the maximum input voltage and the minimum output voltage to obtain a maximum voltage differential between input and output. The next step would be to multiply the maximum voltage differential by the maximum output current.

EQUATION 5-4:

$$P_D = (V_{INMAX} - V_{OUTMIN}) \times I_{OUTMAX}$$

Given:

$$V_{IN} = 3.3V \text{ to } 4.1V$$

$$V_{OUT} = 3.0V \pm 2\%$$

$$I_{OUT} = 1 \text{ mA to } 100 \text{ mA}$$

$$T_{AMAX} = 55^\circ\text{C}$$

$$P_{MAX} = (4.1V - (3.0V \times 0.98)) \times 100 \text{ mA}$$

$$P_{MAX} = 116.0 \text{ milliwatts}$$

To determine the junction temperature of the device, the thermal resistance from junction-to-ambient must be known. The 3-pin SOT-23 thermal resistance from junction-to-air ($R_{\theta JA}$) is estimated to be approximately 335°C/W. The SOT-89 $R_{\theta JA}$ is estimated to be approximately 52°C/W when mounted on 1 square inch of copper. For the TO-92, $R_{\theta JA}$ is estimated to be 131.9°C/W. The $R_{\theta JA}$ will vary with physical layout, airflow and other application-specific conditions.

The device junction temperature is determined by calculating the junction temperature rise above ambient, then adding the rise to the ambient temperature.

EQUATION 5-5: JUNCTION TEMPERATURE - SOT-23 EXAMPLE:

$$T_J = P_{DMAX} \times R_{\theta JA} + T_A$$

$$T_J = 116.0 \text{ milliwatts} \times 335^\circ\text{C/W} + 55^\circ\text{C}$$

$$T_J = 93.9^\circ\text{C}$$

EQUATION 5-6: JUNCTION TEMPERATURE - SOT-89 EXAMPLE:

$$T_J = 116.0 \text{ milliwatts} \times 52^\circ\text{C/W} + 55^\circ\text{C}$$

$$T_J = 61^\circ\text{C}$$

EQUATION 5-7: JUNCTION TEMPERATURE - TO-92 EXAMPLE:

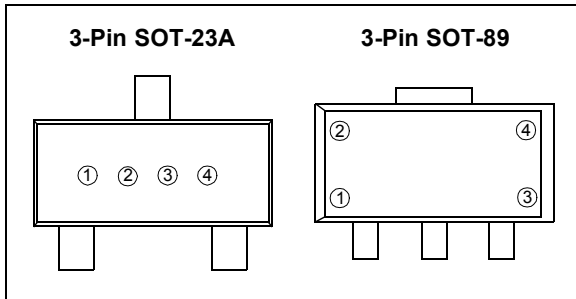
$$T_J = 116.0 \text{ milliwatts} \times 131.9^\circ\text{C/W} + 55^\circ\text{C}$$

$$T_J = 70.3^\circ\text{C}$$

MCP1701

6.0 PACKAGING INFORMATION

6.1 Package Marking Information



① represents first voltage digit
1V, 2V, 3V, 4V, 5V, 6V

Ex: 3.xV = ③ ○ ○ ○

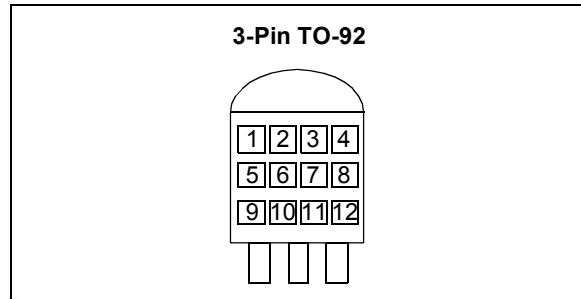
② represents first decimal place voltage (x.0 - x.9)

Ex: 3.4V = ③ ④ ○ ○

Symbol	Voltage	Symbol	Voltage
A	x.0	F	x.5
B	x.1	H	x.6
C	x.2	K	x.7
D	x.3	L	x.8
E	x.4	M	x.9

③ represents polarity
0 = Positive (fixed)

④ represents assembly lot number



①, ②, ③ & ④ = M701 (fixed)

⑤ represents first voltage digit (1-6)

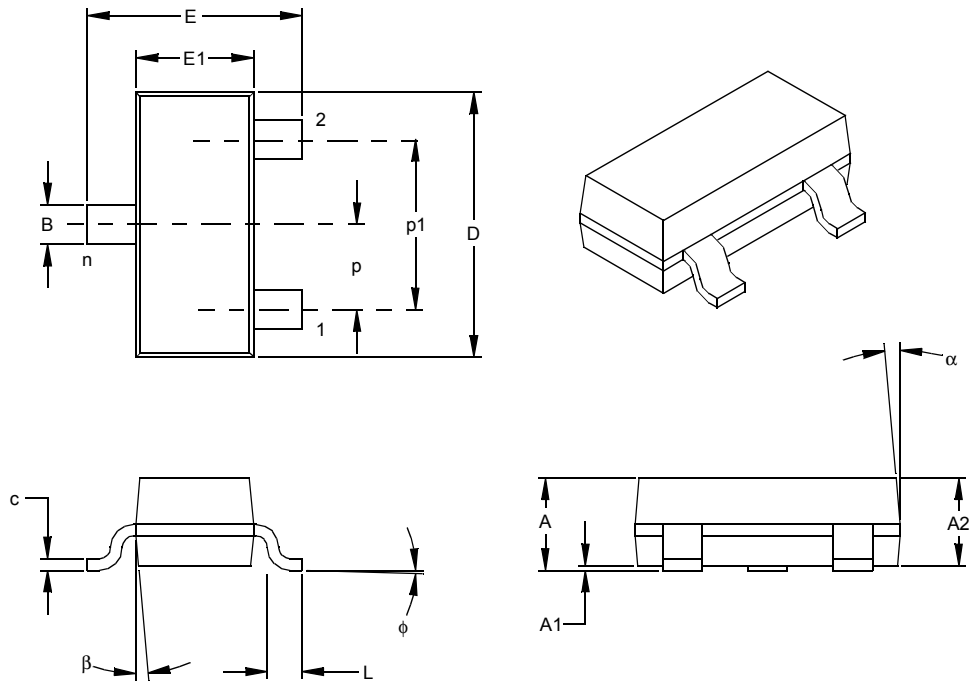
⑥ represents first voltage decimal (0-9)

⑦ represents extra feature code: fixed: 0

⑧ represents regulation accuracy
2 = $\pm 2.0\%$ (standard)

⑨, ⑩, ⑪ & ⑫ represents assembly lot number

3-Lead Plastic Small Outline Transistor (CB) (SOT23)



Units		INCHES*			MILLIMETERS		
Dimension	Limits	MIN	NOM	MAX	MIN	NOM	MAX
Number of Pins	n		3			3	
Pitch	p		.038			0.96	
Outside lead pitch (basic)	p1		.076			1.92	
Overall Height	A	.040	.046	.051	1.01	1.16	1.30
Molded Package Thickness	A2	.039	.043	.047	1.00	1.10	1.20
Standoff §	A1	.000	.002	.004	0.01	0.06	0.10
Overall Width	E	.102	.110	.118	2.60	2.80	3.00
Molded Package Width	E1	.059	.063	.071	1.50	1.60	1.80
Overall Length	D	.106	.114	.122	2.70	2.90	3.10
Foot Length	L	.014	.018	.022	0.35	0.45	0.55
Foot Angle	f	0	5	10	0	5	10
Lead Thickness	c	.004	.006	.010	0.10	0.15	0.25
Lead Width	B	.014	.016	.020	0.35	0.40	0.50
Mold Draft Angle Top	a	0	5	10	0	5	10
Mold Draft Angle Bottom	b	0	5	10	0	5	10

* Controlling Parameter
 § Significant Characteristic

Notes:

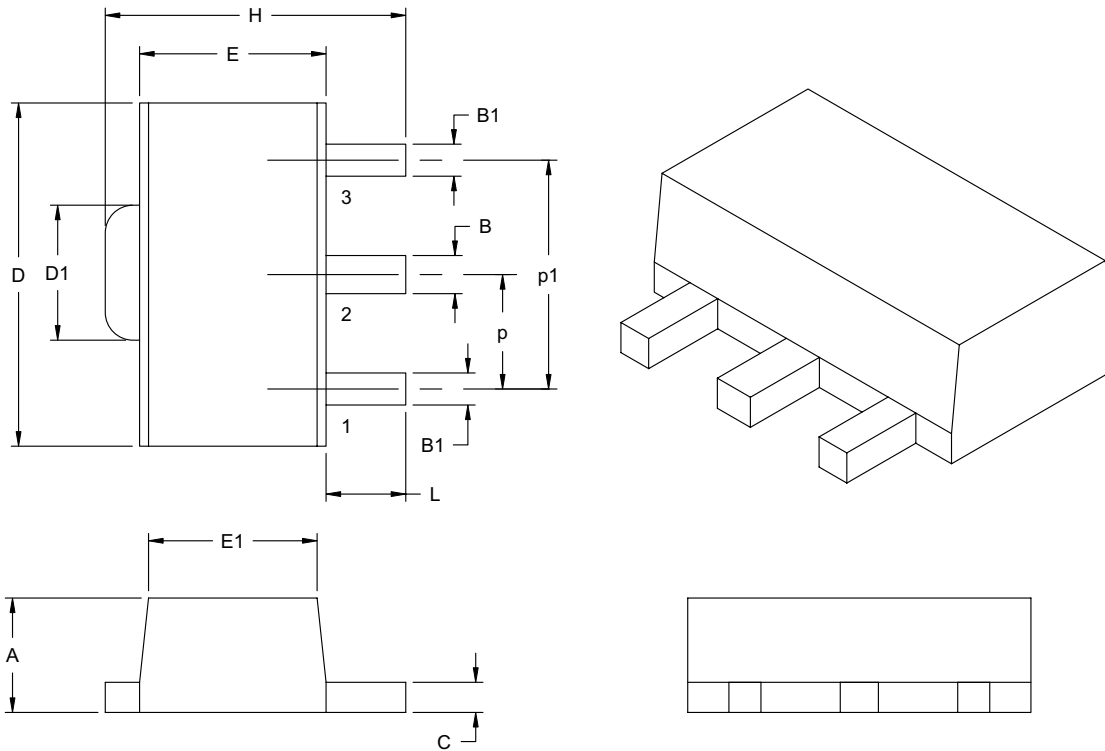
Dimensions D and E1 do not include mold flash or protrusions. Mold flash or protrusions shall not exceed .010" (0.254mm) per side.

EIAJ SC-59 Equivalent

Drawing No. C04-104

MCP1701

3-Lead Plastic Small Outline Transistor (MB) (SOT89)



Dimension Limits	Units	INCHES		MILLIMETERS*	
		MIN	MAX	MIN	MAX
Pitch	P	.059 BSC		1.50 BSC	
Outside lead pitch (basic)	p1	.118 BSC		3.00 BSC	
Overall Height	A	.055	.063	1.40	1.60
Overall Width	H	.155	.167	3.94	4.25
Molded Package Width at Base	E	.090	.102	2.29	2.60
Molded Package Width at Top	E1	.084	.090	2.13	2.29
Overall Length	D	.173	.181	4.40	4.60
Tab Length	D1	.064	.072	1.62	1.83
Foot Length	L	.035	.047	0.89	1.20
Lead Thickness	c	.014	.017	0.35	0.44
Lead 2 Width	B	.017	.022	0.44	0.56
Leads 1 & 3 Width	B1	.014	.019	0.36	0.48

*Controlling Parameter

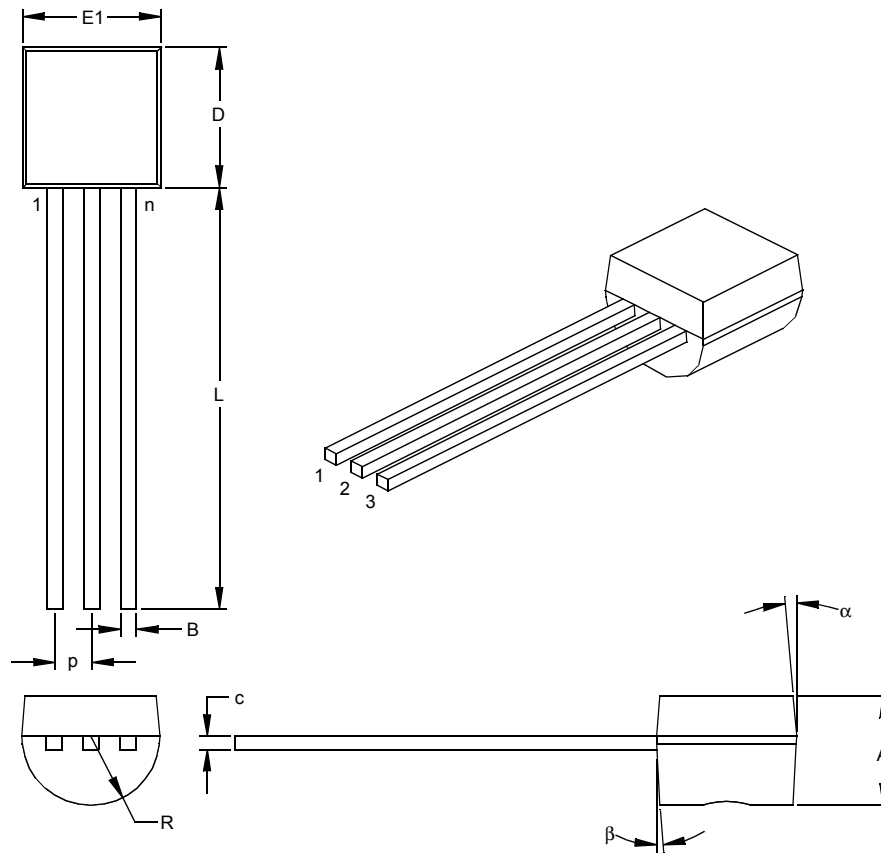
Notes:

Dimensions D and E1 do not include mold flash or protrusions. Mold flash or protrusions shall not exceed .005" (0.127mm) per side.

JEDEC Equivalent: TO-243

Drawing No. C04-29

3-Lead Plastic Transistor Outline (TO) (TO-92)



Dimension	Units	INCHES*			MILLIMETERS		
		MIN	NOM	MAX	MIN	NOM	MAX
Number of Pins	n		3			3	
Pitch	p		.050			1.27	
Bottom to Package Flat	A	.130	.143	.155	3.30	3.62	3.94
Overall Width	E1	.175	.186	.195	4.45	4.71	4.95
Overall Length	D	.170	.183	.195	4.32	4.64	4.95
Molded Package Radius	R	.085	.090	.095	2.16	2.29	2.41
Tip to Seating Plane	L	.500	.555	.610	12.70	14.10	15.49
Lead Thickness	c	.014	.017	.020	0.36	0.43	0.51
Lead Width	B	.016	.019	.022	0.41	0.48	0.56
Mold Draft Angle Top	α	4	5	6	4	5	6
Mold Draft Angle Bottom	β	2	3	4	2	3	4

*Controlling Parameter

Notes:

Dimensions D and E1 do not include mold flash or protrusions. Mold flash or protrusions shall not exceed .010" (0.254mm) per side.

JEDEC Equivalent: TO-92

Drawing No. C04-101

MCP1701

NOTES:

PRODUCT IDENTIFICATION SYSTEM

To order or obtain information, e.g., on pricing or delivery, refer to the factory or the listed sales office.

<u>PART NO.</u>	<u>X-</u>	<u>XX</u>	<u>X</u>	<u>X</u>	<u>X/</u>	<u>XX</u>	Examples:
Device	Tape and Reel	Output Voltage	Feature Code	Tolerance	Temp.	Package	
Device:	MCP1701: 2 μ A Low Dropout Positive Voltage Regulator						a) MCP1701T-1802I/CB: 1.8V LDO Positive Voltage Regulator, SOT-23A-3 package.
Tape and Reel:	T = Tape and Reel (SOT-23 and SOT-89 only)						b) MCP1701T-1802I/MB: 1.8V LDO Positive Voltage Regulator, SOT89-3 package.
Output Voltage:	18 = 1.8V "Standard" 25 = 2.5V "Standard" 30 = 3.0V "Standard" 33 = 3.3V "Standard" 50 = 5.0V "Standard" *Contact factory for other output voltage options.						c) MCP1701T-2502I/CB: 2.5V LDO Positive Voltage Regulator, SOT-23A-3 package.
Extra Feature Code:	0 = Fixed						d) MCP1701T-3002I/CB: 3.0V LDO Positive Voltage Regulator, SOT-23A-3 package.
Tolerance:	2 = 2.0% (Standard)						e) MCP1701T-3002I/MB: 3.0V LDO Positive Voltage Regulator, SOT89-3 package.
Temperature:	I = -40°C to +85°C						f) MCP1701T-3302I/CB: 3.3V LDO Positive Voltage Regulator, SOT-23A-3 package.
Package Type:	CB = 3-Pin SOT-23A (equivalent to EIAJ SC-59) MB = 3-Pin SOT-89 TO = 3-Pin TO-92						g) MCP1701T-3302I/MB: 3.3V LDO Positive Voltage Regulator, SOT89-3 package.
							h) MCP1701T-5002I/CB: 5.0V LDO Positive Voltage Regulator, SOT-23A-3 package.
							i) MCP1701T-5002I/MB: 5.0V LDO Positive Voltage Regulator, SOT89-3 package.

Sales and Support

Data Sheets

Products supported by a preliminary Data Sheet may have an errata sheet describing minor operational differences and recommended workarounds. To determine if an errata sheet exists for a particular device, please contact one of the following:

1. Your local Microchip sales office
2. The Microchip Corporate Literature Center U.S. FAX: (480) 792-7277
3. The Microchip Worldwide Site (www.microchip.com)

Please specify which device, revision of silicon and Data Sheet (include Literature #) you are using.

Customer Notification System

Register on our web site (www.microchip.com/cn) to receive the most current information on our products.

MCP1701

NOTES:

Note the following details of the code protection feature on Microchip devices:

- Microchip products meet the specification contained in their particular Microchip Data Sheet.
- Microchip believes that its family of products is one of the most secure families of its kind on the market today, when used in the intended manner and under normal conditions.
- There are dishonest and possibly illegal methods used to breach the code protection feature. All of these methods, to our knowledge, require using the Microchip products in a manner outside the operating specifications contained in Microchip's Data Sheets. Most likely, the person doing so is engaged in theft of intellectual property.
- Microchip is willing to work with the customer who is concerned about the integrity of their code.
- Neither Microchip nor any other semiconductor manufacturer can guarantee the security of their code. Code protection does not mean that we are guaranteeing the product as "unbreakable."

Code protection is constantly evolving. We at Microchip are committed to continuously improving the code protection features of our products. Attempts to break Microchip's code protection feature may be a violation of the Digital Millennium Copyright Act. If such acts allow unauthorized access to your software or other copyrighted work, you may have a right to sue for relief under that Act.

Information contained in this publication regarding device applications and the like is intended through suggestion only and may be superseded by updates. It is your responsibility to ensure that your application meets with your specifications. No representation or warranty is given and no liability is assumed by Microchip Technology Incorporated with respect to the accuracy or use of such information, or infringement of patents or other intellectual property rights arising from such use or otherwise. Use of Microchip's products as critical components in life support systems is not authorized except with express written approval by Microchip. No licenses are conveyed, implicitly or otherwise, under any intellectual property rights.

Trademarks

The Microchip name and logo, the Microchip logo, Accuron, dsPIC, KEELoQ, MPLAB, PIC, PICmicro, PICSTART, PRO MATE, PowerSmart and rPIC are registered trademarks of Microchip Technology Incorporated in the U.S.A. and other countries.


Amplab, FilterLab, microID, MXDEV, MXLAB, PICMASTER, SEEVAL, SmartShunt and The Embedded Control Solutions Company are registered trademarks of Microchip Technology Incorporated in the U.S.A.

Application Maestro, dsPICDEM, dsPICDEM.net, dsPICworks, ECAN, ECONOMONITOR, FanSense, FlexROM, fuzzyLAB, In-Circuit Serial Programming, ICSP, ICEPIC, Migratable Memory, MPASM, MPLIB, MPLINK, MPSIM, PICkit, PICDEM, PICDEM.net, PICtail, PowerCal, PowerInfo, PowerMate, PowerTool, rLAB, Select Mode, SmartSensor, SmartTel and Total Endurance are trademarks of Microchip Technology Incorporated in the U.S.A. and other countries.

Serialized Quick Turn Programming (SQTP) is a service mark of Microchip Technology Incorporated in the U.S.A.

All other trademarks mentioned herein are property of their respective companies.

© 2004, Microchip Technology Incorporated, Printed in the U.S.A., All Rights Reserved.

 Printed on recycled paper.

QUALITY MANAGEMENT SYSTEM
CERTIFIED BY DNV
== ISO/TS 16949:2002 ==

Microchip received ISO/TS-16949:2002 quality system certification for its worldwide headquarters, design and wafer fabrication facilities in Chandler and Tempe, Arizona and Mountain View, California in October 2003. The Company's quality system processes and procedures are for its PICmicro® 8-bit MCUs, KEELoQ® code hopping devices, Serial EEPROMs, microperipherals, nonvolatile memory and analog products. In addition, Microchip's quality system for the design and manufacture of development systems is ISO 9001:2000 certified.



WORLDWIDE SALES AND SERVICE

AMERICAS

Corporate Office

2355 West Chandler Blvd.
Chandler, AZ 85224-6199
Tel: 480-792-7200
Fax: 480-792-7277
Technical Support: 480-792-7627
Web Address: <http://www.microchip.com>

Atlanta

3780 Mansell Road, Suite 130
Alpharetta, GA 30022
Tel: 770-640-0034
Fax: 770-640-0307

Boston

2 Lan Drive, Suite 120
Westford, MA 01886
Tel: 978-692-3848
Fax: 978-692-3821

Chicago

333 Pierce Road, Suite 180
Itasca, IL 60143
Tel: 630-285-0071
Fax: 630-285-0075

Dallas

4570 Westgrove Drive, Suite 160
Addison, TX 75001
Tel: 972-818-7423
Fax: 972-818-2924

Detroit

Tri-Atria Office Building
32255 Northwestern Highway, Suite 190
Farmington Hills, MI 48334
Tel: 248-538-2250
Fax: 248-538-2260

Kokomo

2767 S. Albright Road
Kokomo, IN 46902
Tel: 765-864-8360
Fax: 765-864-8387

Los Angeles

18201 Von Karman, Suite 1090
Irvine, CA 92612
Tel: 949-263-1888
Fax: 949-263-1338

San Jose

1300 Terra Bella Avenue
Mountain View, CA 94043
Tel: 650-215-1444
Fax: 650-961-0286

Toronto

6285 Northam Drive, Suite 108
Mississauga, Ontario L4V 1X5, Canada
Tel: 905-673-0699
Fax: 905-673-6509

ASIA/PACIFIC

Australia

Suite 22, 41 Rawson Street
Epping 2121, NSW
Australia
Tel: 61-2-9868-6733
Fax: 61-2-9868-6755

China - Beijing

Unit 706B
Wan Tai Bei Hai Bldg.
No. 6 Chaoyangmen Bei Str.
Beijing, 100027, China
Tel: 86-10-85282100
Fax: 86-10-85282104

China - Chengdu

Rm. 2401-2402, 24th Floor,
Ming Xing Financial Tower
No. 88 TIDU Street
Chengdu 610016, China
Tel: 86-28-86766200
Fax: 86-28-86766599

China - Fuzhou

Unit 28F, World Trade Plaza
No. 71 Wusi Road
Fuzhou 350001, China
Tel: 86-591-7503506
Fax: 86-591-7503521

China - Hong Kong SAR

Unit 901-6, Tower 2, Metroplaza
223 Hing Fong Road
Kwai Fong, N.T., Hong Kong
Tel: 852-2401-1200
Fax: 852-2401-3431

China - Shanghai

Room 701, Bldg. B
Far East International Plaza
No. 317 Xian Xia Road
Shanghai, 200051
Tel: 86-21-6275-5700
Fax: 86-21-6275-5060

China - Shenzhen

Rm. 1812, 18/F, Building A, United Plaza
No. 5022 Binhe Road, Futian District
Shenzhen 518033, China
Tel: 86-755-82901380
Fax: 86-755-8295-1393

China - Shunde

Room 401, Hongjian Building, No. 2
Fengxiangnan Road, Ronggui Town, Shunde
District, Foshan City, Guangdong 528303, China
Tel: 86-757-28395507 Fax: 86-757-28395571

China - Qingdao

Rm. B505A, Fullhope Plaza,
No. 12 Hong Kong Central Rd.
Qingdao 266071, China
Tel: 86-532-5027355 Fax: 86-532-5027205

India

Divyasree Chambers
1 Floor, Wing A (A3/A4)
No. 11, O'Shaughnessy Road
Bangalore, 560 025, India
Tel: 91-80-22290061 Fax: 91-80-22290062

Japan

Benex S-1 6F
3-18-20, Shinyokohama
Kohoku-Ku, Yokohama-shi
Kanagawa, 222-0033, Japan
Tel: 81-45-471-6166 Fax: 81-45-471-6122

Korea

168-1, Youngbo Bldg. 3 Floor
Samsung-Dong, Kangnam-Ku
Seoul, Korea 135-882
Tel: 82-2-554-7200 Fax: 82-2-558-5932 or
82-2-558-5934

Singapore

200 Middle Road
#07-02 Prime Centre
Singapore, 188980
Tel: 65-6334-8870 Fax: 65-6334-8850

Taiwan

Kaohsiung Branch
30F - 1 No. 8
Min Chuan 2nd Road
Kaohsiung 806, Taiwan
Tel: 886-7-536-4818
Fax: 886-7-536-4803

Taiwan

Taiwan Branch
11F-3, No. 207
Tung Hua North Road
Taipei, 105, Taiwan
Tel: 886-2-2717-7175 Fax: 886-2-2545-0139

EUROPE

Austria

Durisolstrasse 2
A-4600 Wels
Austria
Tel: 43-7242-2244-399
Fax: 43-7242-2244-393

Denmark

Regus Business Centre
Lautrup høj 1-3
Ballerup DK-2750 Denmark
Tel: 45-4420-9895 Fax: 45-4420-9910

France

Parc d'Activite du Moulin de Massy
43 Rue du Saule Trapu
Batiment A - 1er Etage
91300 Massy, France
Tel: 33-1-69-53-63-20
Fax: 33-1-69-30-90-79

Germany

Steinheilstrasse 10
D-85737 Ismaning, Germany
Tel: 49-89-627-144-0
Fax: 49-89-627-144-44

Italy

Via Quasimodo, 12
20025 Legnano (MI)
Milan, Italy
Tel: 39-0331-742611
Fax: 39-0331-466781

Netherlands

P. A. De Biesbosch 14
NL-5152 SC Drunen, Netherlands
Tel: 31-416-690399
Fax: 31-416-690340

United Kingdom

505 Eskdale Road
Wokingham
Wokingham
Berkshire, England RG41 5TU
Tel: 44-118-921-5869
Fax: 44-118-921-5820

02/17/04