

*Preliminary*

ATA PC CARDS

## **8/16-bit Data Bus**

### **Flash ATA PC Card**

Connector Type

**Two-piece 68-pin**

**MF0032M-11ATxx**  
**MF0064M-11ATxx**  
**MF0128M-11ATxx**  
**MF0192M-11ATxx**  
**MF0256M-11ATxx**  
**MF0320M-11ATxx**  
**MF0384M-11ATxx**  
**MF0448M-11ATxx**  
**MF0512M-11ATxx**

**DESCRIPTION**

Mitsubishi's Flash ATA cards provide large memory capacities on a device approximately the size of a credit card (85.6mm(L) × 54mm(W) × 3.3mm(T) or 5mm(T)). The cards use an 8/16 bit data bus.

Available in 32MB - 512MB capacities, Mitsubishi's Flash ATA cards conform to the JEIDA/PCMCIA standard.

In default mode, the ATA card operates in PC Card compliant sockets. It conforms to PCMCIA 2.1, JEIDA 4.2 and PC Card Standard.

When the OE# signal is asserted low level by the Host system in power on cycle, the Mitsubishi's Flash ATA cards can be selected in a IDE ATA interface. It uses the ATA command set so no software drivers are required.

**FEATURES**

- 68pin PC Card Standard Type-I PC Card
- Single 5V or 3.3V Supply
- Card density of up to 512MB maximum
- Four PC Card ATA and IDE ATA modes
- Nonvolatile, No Batteries Required
- High reliability based on internal ECC function
- Fast read/write performance(Target)
  - <PC Card I/F>
    - Read:1.5MB/s
    - Write:1.6MB/s(128 - 512MB)
    - Write:850kB/s(64MB)
    - Write:450kB/s(32MB)
  - <IDE ATA I/F PIO=2>
    - Read:1.8MB/s
    - Write:1.7MB/s(128MB - 512MB)
    - Write:1.0MB/s(64MB)
    - Write:550kB/s(32MB)
- 300,000 program/erase cycles

**APPLICATIONS**

- Computers
- Digital Camera
- Data Communication
- Office Automation
- Industrial
- Consumer

*Preliminary*

MF0XXXX-11ATXX series  
ATA PC CARDS

**PRODUCT LIST**

	Memory capacity (Bytes)	Data Bus width(bits)	Memory	Cylinder	Head	Sector	Out line
MF0032M-11ATxx	32,047,104	8/16	256Mbit Flash x 1	489	4	32	Type I
MF0064M-11ATxx	64,094,208		256Mbit Flash x 2	978	4	32	
MF0128M-11ATxx	128,188,416		256Mbit Flash x 4	978	8	32	
MF0192M-11ATxx	192,151,552		256Mbit Flash x 6	733	16	32	
MF0256M-11ATxx	256,376,832		256Mbit Flash x 8	978	16	32	
MF0320M-11ATxx	319,979,520		256Mbit Flash x 10	620	16	63	
MF0384M-11ATxx	384,491,520		256Mbit Flash x 12	745	16	63	
MF0448M-11ATxx	448,487,424		256Mbit Flash x 14	869	16	63	
MF0512M-11ATxx	512,483,328		256Mbit Flash x 16	993	16	63	

Preliminary

MFOXXXX-11ATXX series  
ATA PC CARDS

**PIN ASSIGNMENT**

Pin	PC Card Memory Mode		PC Card I/O Mode		IDE ATA Interface	
	Signal	I/O	Signal	I/O	Signal	I/O
1	GND	-	GND	-	GND	-
2	D3	I/O	D3	I/O	D3	I/O
3	D4	I/O	D4	I/O	D4	I/O
4	D5	I/O	D5	I/O	D5	I/O
5	D6	I/O	D6	I/O	D6	I/O
6	D7	I/O	D7	I/O	D7	I/O
7	CE1#	I	CE1#	I	CS0#	I
8	A10	I	A10	I	N.U	-
9	OE#	I	OE#	I	ATA SEL#	I
10	N.C	-	N.C	-	N.C	-
11	A9	I	A9	I	N.U	-
12	A8	I	A8	I	N.U	-
13	N.C	-	N.C	-	N.C	-
14	N.C	-	N.C	-	N.C	-
15	WE#	I	WE#	I	WE#	I
16	READY	O	IREQ#	O	INTRQ	O
17	Vcc	-	Vcc	-	Vcc	-
18	N.C	-	N.C	-	N.C	-
19	N.C	-	N.C	-	N.C	-
20	N.C	-	N.C	-	N.C	-
21	N.C	-	N.C	-	N.C	-
22	A7	I	A7	I	N.U	-
23	A6	I	A6	I	N.U	-
24	A5	I	A5	I	N.U	-
25	A4	I	A4	I	N.U	-
26	A3	I	A3	I	N.U	-
27	A2	I	A2	I	A2	I
28	A1	I	A1	I	A1	I
29	A0	I	A0	I	A0	I
30	D0	I/O	D0	I/O	D0	I/O
31	D1	I/O	D1	I/O	D1	I/O
32	D2	I/O	D2	I/O	D2	I/O
33	WP	O	IOIS16#	O	IOCS16#	O
34	GND	-	GND	-	GND	-

Pin	PC Card Memory Mode		PC Card I/O Mode		IDE ATA Interface	
	Signal	I/O	Signal	I/O	Signal	I/O
35	GND	-	GND	-	GND	-
36	CD1#	O	CD1#	O	CD1#	O
37	D11	I/O	D11	I/O	D11	I/O
38	D12	I/O	D12	I/O	D12	I/O
39	D13	I/O	D13	I/O	D13	I/O
40	D14	I/O	D14	I/O	D14	I/O
41	D15	I/O	D15	I/O	D15	I/O
42	CE2#	I	CE2#	I	CS1#	I
43	VS1#	O	VS1#	O	VS1#	O
44	N.U	-	IORD#	I	IORD#	I
45	N.U	-	IOWR#	I	IOWR#	I
46	N.C	-	N.C	-	N.C	-
47	N.C	-	N.C	-	N.C	-
48	N.C	-	N.C	-	N.C	-
49	N.C	-	N.C	-	N.C	-
50	N.C	-	N.C	-	N.C	-
51	Vcc	-	Vcc	-	Vcc	-
52	N.C	-	N.C	-	N.C	-
53	N.C	-	N.C	-	N.C	-
54	N.C	-	N.C	-	N.C	-
55	N.C	-	N.C	-	N.C	-
56	CSEL	I	CSEL	I	CSEL	I
57	VS2#	O	VS2#	O	VS2#	O
58	RESET	I	RESET	I	RESET#	I
59	WAIT#	O	WAIT#	O	IORDY	O
60	N.U	-	INPACK#	O	INPACK#	O
61	REG#	I	REG#	I	REG#	I
62	BVD2	O	SPKR#	O	DASP#	I/O
63	BVD1	O	STSCHG#	O	PDIAG#	I/O
64	D8	I/O	D8	I/O	D8	I/O
65	D9	I/O	D9	I/O	D9	I/O
66	D10	I/O	D10	I/O	D10	I/O
67	CD2#	O	CD2#	O	CD2#	O
68	GND	-	GND	-	GND	-

N.C = Not connected internally. N.U = Not used.

Preliminary

MFOXXXX-11ATXX series  
ATA PC CARDS

**Signal Description**

Signal Name	I/O	Pin No.	Description
Address bus[A10-A0]	I	8, 11, 12, 22, 23, 24, 25, 26, 27, 28, 29	Signals A10-A0 are address bus. A0 is invalid in word mode. A10 is the MSB and A0 is the LSB.
Data bus[D15-D0]	I/O	41, 40, 39, 38, 37, 66, 65, 64, 6, 5, 4, 3, 2, 32, 31, 30	Signals D15-D0 are data bus. D0 is the LSB of the Even Byte of the Word. D8 is the LSB of the Odd Byte of the Word.
Card Enable[CE1#, CE2#] (PC Card Memory Mode)	I	7, 42	CE1# and CE2# are low active card select signals.
Card Enable[CE1#, CE2#] (PC Card I/O Mode)			
Chip Select[CS0#, CS1#] (IDE ATA Interface)			In IDE ATA Interface, CS0# is used to select the Command Block Registers. CS1# is used to select the Control Block Registers.
Output Enable[OE#] (PC Card Memory Mode)	I	9	OE# is used to gate Attribute and Common Memory Read data from the ATA Card.
Output Enable[OE#] (PC Card I/O Mode)			OE# is used to gate Attribute Memory Read data from the ATA Card.
ATA SEL# (IDE ATA Interface)			To enable IDE ATA Interface, this input should be grounded by the host.
Write Enable[WE#] (PC Card Memory Mode)	I	15	WE# is used for strobing Attribute and Common Memory Write data into the ATA Card.
Write Enable[WE#] (PC Card I/O Mode)			WE# is used for strobing Attribute Memory Write data into the ATA Card.
Write Enable[WE#] (IDE ATA Interface)			This input should be connected Vcc by the host.
I/O Read[IORD#] (PC Card I/O Mode)	I	44	IORD# is used to read data from the Card's I/O space.
I/O Read[IORD#] (IDE ATA Interface)			
I/O Write[IOWR#] (PC Card I/O Mode)	I	45	IOWR# is used to write data to the Card's I/O space.
I/O Write[IOWR#] (IDE ATA Interface)			
Ready[READY] (PC Card Memory Mode)	O	16	READY signal is set high when the ATA Card is ready to accept a new data transfer operation.
IREQ# (PC Card I/O Mode)			This signal of low level indicates that the card is requesting software service to host, and high level indicates that the card is not requesting.
INTRQ (IDE ATA Interface)			This signal is active high interrupt request to the host.
Card Detection[CD1#, CD2#]	O	36, 67	CD1# and CD2# provided for proper detection of PC Card insertion.
Write Protect[WP] (PC Card Memory Mode)	O	33	This signal is held low because this card does not have a write protect switch.
IOIS16# (PC Card I/O Mode)			This output signal is asserted when the I/O port address is capable of 16-bit access.
IOCS16# (IDE ATA Interface)			

Preliminary

MFOXXXX-11ATXX series  
ATA PC CARDS

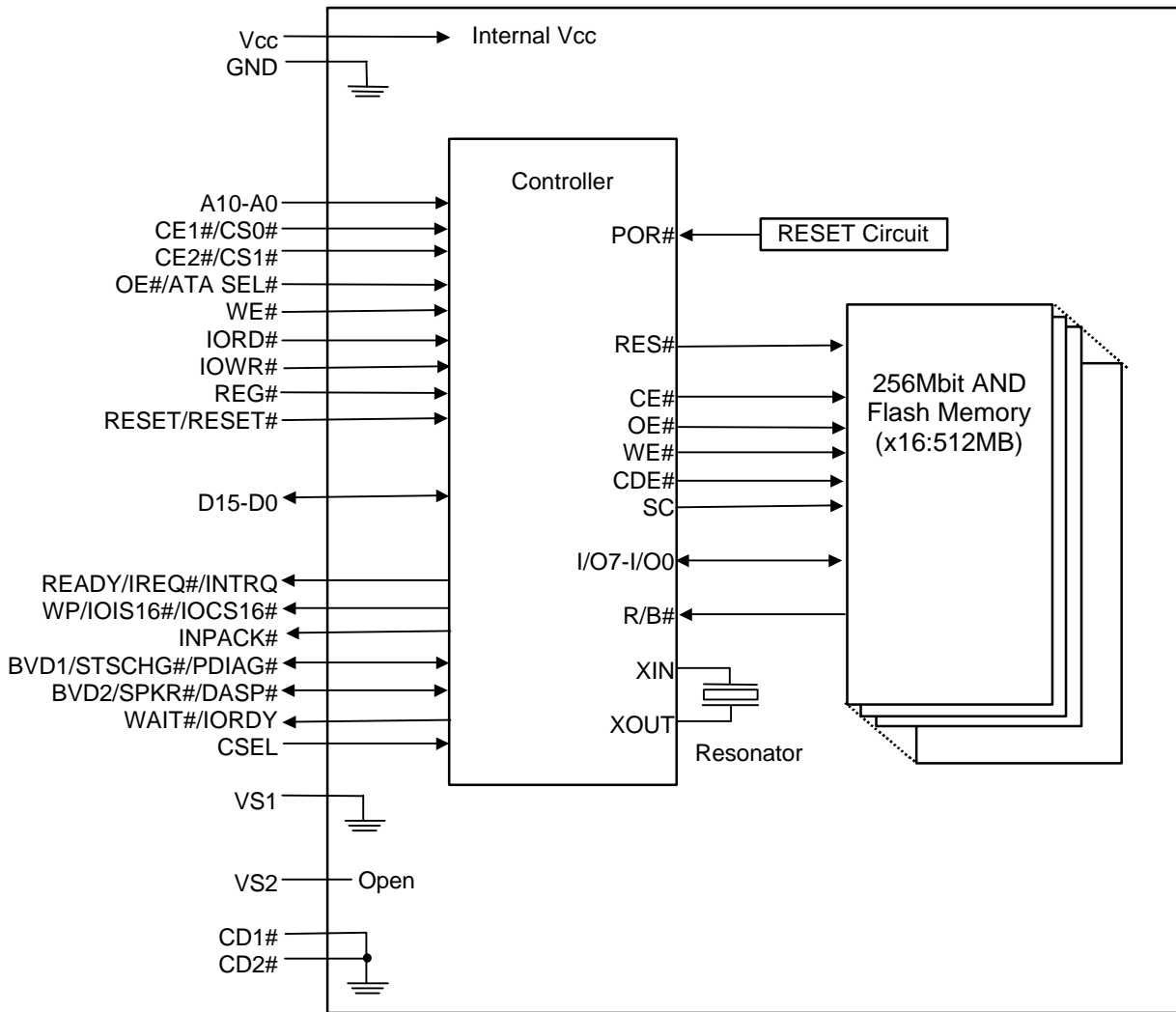
**Signal Description(Continued)**

Signal Name	I/O	Pin No.	Description
Attribute Memory Select[REG#] (PC Card Memory Mode)	I	61	When this signal is asserted, access is limited to Attribute Memory with OE#/WE# and I/O Space with IORD#/IOWR#.
Attribute Memory Select[REG#] (PC Card I/O Mode)			
Attribute Memory Select[REG#] (IDE ATA Interface)			
Battery Voltage Detect[BVD2] (PC Card Memory Mode)	O	62	This output is driven to a high-level.
Audio Digital Waveform[SPKR#] (PC Card I/O Mode)			SPKR# is kept negated because this Card does not have digital audio output.
DASP# (IDE ATA Interface)			This signal is the DISK Active/Slave Present signal in the Master/Slave handshake protocol.
Card Reset[RESET] (PC Card Memory Mode)	I	58	By assertion of this signal, all registers of this Card are cleared. This signal should be kept to High-Z or High Level by the host for at least 1ms after Vcc applied.
Card Reset[RESET] (PC Card I/O Mode)			
Card Reset[RESET#] (IDE ATA Interface)			
Wait[WAIT#] (PC card Memory Mode)	O	59	This signal is asserted to delay completion of the memory or I/O access cycle.
Wait[WAIT#] (PC card I/O Mode)			
IORDY (IDE ATA Interface)			
Input Port Acknowledge[INPACK#] (PC Card I/O Mode)	O	60	This signal is asserted when the Card is selected and can respond to an I/O Read cycle at the address on the address bus.
Input Port Acknowledge[INPACK#] (IDE ATA Interface)			
Battery Voltage Detect[BVD1] (PC Card Memory Mode)	O	63	This output is driven to a high-level.
STSCHG# (PC Card I/O Mode)			This signal is asserted low to alert the host to changes in the status of Configuration Status Register in the Attribute Memory Space.
PDIAG# (IDE ATA Interface)			This signal is the Pass Diagnostic signal in the Master/Slave handshake protocol.
Voltage Sense[VS1, VS2]	O	43, 57	VS1 is grounded so that the Card CIS can be read at 3.3V and VS2 is N.C.
Cable Select[CSEL] (PC card Memory Mode)	-	56	This signal is not used for this mode.
Cable Select[CSEL] (PC card I/O Mode)			
Cable Select[CSEL] (IDE ATA Interface)			
Vcc	-	17, 51	5V or 3.3V power.
GND	-	1, 34, 35, 68	Ground.

Preliminary

MF0XXXX-11ATXX series  
ATA PC CARDS

BLOCK DIAGRAM



Preliminary

MFOXXXX-11ATXX series  
ATA PC CARDS

**FUNCTION TABLE**

Function	REG#	CE2#	CE1#	A0	OE#	WE#	IOR#	IOWR#	D15-D8	D7-D0
<b>Attribute Memory Read Function</b>										
Standby	X	H	H	X	X	X	X	X	High-Z	High-Z
Byte Access	L	H	L	L	L	H	H	H	High-Z	Even Byte
	L	H	L	H	L	H	H	H	High-Z	Invalid
Word Access	L	L	L	X	L	H	H	H	Invalid	Even Byte
Odd Byte	L	L	H	X	L	H	H	H	Invalid	High-Z
<b>Attribute Memory Write Function</b>										
Standby	X	H	H	X	X	X	X	X	don't care	don't care
Byte Access	L	H	L	L	H	L	H	H	don't care	Even Byte
	L	H	L	H	H	L	H	H	don't care	don't care
Word Access	L	L	L	X	H	L	H	H	don't care	Even Byte
Odd Byte	L	L	H	X	H	L	H	H	don't care	don't care
<b>Common Memory Read Function</b>										
Standby	X	H	H	X	X	X	X	X	High-Z	High-Z
Byte Access	H	H	L	L	L	H	H	H	High-Z	Even Byte
	H	H	L	H	L	H	H	H	High-Z	Odd Byte
Word Access	H	L	L	X	L	H	H	H	Odd Byte	Even Byte
Odd Byte	H	L	H	X	L	H	H	H	Odd Byte	High-Z
<b>Common Memory Write Function</b>										
Standby	X	H	H	X	X	X	X	X	don't care	don't care
Byte Access	H	H	L	L	H	L	H	H	don't care	Even Byte
	H	H	L	H	H	L	H	H	don't care	Odd Byte
Word Access	H	L	L	X	H	L	H	H	Odd Byte	Even Byte
Odd Byte	H	L	H	X	H	L	H	H	Odd Byte	don't care
<b>I/O Read Function</b>										
Standby	X	H	H	X	X	X	X	X	High-Z	High-Z
Byte Access	L	H	L	L	H	H	L	H	High-Z	Even Byte
	L	H	L	H	H	H	L	H	High-Z	Odd Byte
Word Access	L	L	L	X	H	H	L	H	Odd Byte	Even Byte
Odd Byte	L	L	H	X	H	H	L	H	Odd Byte	High-Z
<b>I/O Write Function</b>										
Standby	X	H	H	X	X	X	X	X	don't care	don't care
Byte Access	L	H	L	L	H	H	H	L	don't care	Even Byte
	L	H	L	H	H	H	H	L	don't care	Odd Byte
Word Access	L	L	L	X	H	H	H	L	Odd Byte	Even Byte
Odd Byte	L	L	H	X	H	H	H	L	Odd Byte	don't care

Preliminary

MFOXXXX-11ATXX series  
ATA PC CARDS

Memory mapped mode(Index=0)

REG#	CE2#	CE1#	A10	A9-A4	A3	A2	A1	A0	Register	
									OE#="L"	WE#="L"
1	0	0	0	x	0	0	0	x	Data Register(D15-D0)	Data Register(D15-D0)
1	1	0	0	x	0	0	0	0	Data Register[Even, Odd](D7-D0)	Data Register[Even, Odd](D7-D0)
1	1	0	0	x	0	0	0	1	Error Register(D7-D0)	Feature Register(D7-D0)
1	0	1	0	x	0	0	0	x	Error Register(D15-D8)	Feature Register(D15-D8)
1	0	0	0	x	0	0	1	x	Sector Count Register(D7-D0) Sector Number Register(D15-D8)	Sector Count Register(D7-D0) Sector Number Register(D15-D8)
1	1	0	0	x	0	0	1	0	Sector Count Register(D7-D0)	Sector Count Register(D7-D0)
1	1	0	0	x	0	0	1	1	Sector Number Register(D7-D0)	Sector Number Register(D7-D0)
1	0	1	0	x	0	0	1	x	Sector Number Register(D15-D8)	Sector Number Register(D15-D8)
1	0	0	0	x	0	1	0	x	Cylinder Low Register(D7-D0) Cylinder High Register(D15-D8)	Cylinder Low Register(D7-D0) Cylinder High Register(D15-D8)
1	1	0	0	x	0	1	0	0	Cylinder Low Register(D7-D0)	Cylinder Low Register(D7-D0)
1	1	0	0	x	0	1	0	1	Cylinder High Register(D7-D0)	Cylinder High Register(D7-D0)
1	0	1	0	x	0	1	0	x	Cylinder High Register(D15-D8)	Cylinder High Register(D15-D8)
1	0	0	0	x	0	1	1	x	Drive Head Register(D7-D0) Status Register(D15-D8)	Drive Head Register(D7-D0) Command Register(D15-D8)
1	1	0	0	x	0	1	1	0	Drive Head Register(D7-D0)	Drive Head Register(D7-D0)
1	1	0	0	x	0	1	1	1	Status Register(D7-D0)	Command Register(D7-D0)
1	0	1	0	x	0	1	1	x	Status Register(D15-D8)	Command Register(D15-D8)
1	0	0	0	x	1	0	0	x	Data Register(D15-D0)	Data Register(D15-D0)
1	1	1	0	0	x	1	0	0	Data Register[Even, Odd](D7-D0)	Data Register[Even, Odd](D7-D0)
1	1	1	0	0	x	1	0	0	Data Register[Odd](D7-D0)	Data Register[Odd](D7-D0)
1	0	1	0	x	1	0	0	x	Data Register[Odd](D15-D8)	Data Register[Odd](D15-D8)
1	0	0	0	x	1	1	0	x	invalid(D7-D0) Error Register(D15-D8)	invalid(D7-D0) Feature Register(D15-D8)
1	1	1	0	0	x	1	1	0	invalid	invalid
1	1	1	0	0	x	1	1	0	Error Register(D7-D0)	Feature Register(D7-D0)
1	0	1	0	x	1	1	0	x	Error Register(D15-D8)	Feature Register(D15-D8)
1	0	0	0	x	1	1	1	x	Alt. Status Register(D7-D0) Drive Address Register(D15-D8)	Device Control Register(D7-D0) invalid
1	1	1	0	0	x	1	1	1	Alt. Status Register(D7-D0)	Device Control Register(D7-D0)
1	1	1	0	0	x	1	1	1	Drive Address Register(D7-D0)	invalid
1	0	1	0	x	1	1	1	x	Drive Address Register(D15-D8)	invalid
1	0	0	1	x	x	x	x	x	Data Register(D15-D0)	Data Register(D15-D0)
1	1	0	1	x	x	x	x	0	Data Register[Even, Odd](D7-D0)	Data Register[Even, Odd](D7-D0)
1	1	0	1	x	x	x	x	1	Data Register[Odd](D7-D0)	Data Register[Odd](D7-D0)
1	0	1	1	x	x	x	x	x	Data Register[Odd](D15-D8)	Data Register[Odd](D15-D8)



Preliminary

MFOXXXX-11ATXX series  
ATA PC CARDS

Contiguous I/O Map(Index=1)

REG#	CE2#	CE1#	A9-A4	A3	A2	A1	A0	Register	
								IORD#="L"	IOWR#="L"
0	0	0	x	0	0	0	x	Data Register(D15-D0)	Data Register(D15-D0)
0	1	0	x	0	0	0	0	Data Register[Even, Odd](D7-D0)	Data Register[Even, Odd](D7-D0)
0	1	0	x	0	0	0	1	Error Register(D7-D0)	Feature Register(D7-D0)
0	0	1	x	0	0	0	x	Error Register(D15-D8)	Feature Register(D15-D8)
0	0	0	x	0	0	1	x	Sector Count Register(D7-D0) Sector Number Register(D15-D8)	Sector Count Register(D7-D0) Sector Number Register(D15-D8)
0	1	0	x	0	0	1	0	Sector Count Register(D7-D0)	Sector Count Register(D7-D0)
0	1	0	x	0	0	1	1	Sector Number Register(D7-D0)	Sector Number Register(D7-D0)
0	0	1	x	0	0	1	x	Sector Number Register(D15-D8)	Sector Number Register(D15-D8)
0	0	0	x	0	1	0	x	Cylinder Low Register(D7-D0) Cylinder High Register(D15-D8)	Cylinder Low Register(D7-D0) Cylinder High Register(D15-D8)
0	1	0	x	0	1	0	0	Cylinder Low Register(D7-D0)	Cylinder Low Register(D7-D0)
0	1	0	x	0	1	0	1	Cylinder High Register(D7-D0)	Cylinder High Register(D7-D0)
0	0	1	x	0	1	0	x	Cylinder High Register(D15-D8)	Cylinder High Register(D15-D8)
0	0	0	x	0	1	1	x	Drive Head Register(D7-D0) Status Register(D15-D8)	Drive Head Register(D7-D0) Command Register(D15-D8)
0	1	0	x	0	1	1	0	Drive Head Register(D7-D0)	Drive Head Register(D7-D0)
0	1	0	x	0	1	1	1	Status Register(D7-D0)	Command Register(D7-D0)
0	0	1	x	0	1	1	x	Status Register(D15-D8)	Command Register(D15-D8)
0	0	0	x	1	0	0	x	Data Register(D15-D0)	Data Register(D15-D0)
0	1	0	x	1	0	0	0	Data Register[Even, Odd](D7-D0)	Data Register[Even, Odd](D7-D0)
0	1	0	x	1	0	0	1	Data Register[Odd](D7-D0)	Data Register[Odd](D7-D0)
0	0	1	x	1	0	0	x	Data Register[Odd](D15-D8)	Data Register[Odd](D15-D8)
0	0	0	x	1	1	0	x	invalid(D7-D0) Error Register(D15-D8)	invalid(D7-D0) Feature Register(D15-D8)
0	1	0	x	1	1	0	0	invalid	invalid
0	1	0	x	1	1	0	1	Error Register(D7-D0)	Feature Register(D7-D0)
0	0	1	x	1	1	0	x	Error Register(D15-D8)	Feature Register(D15-D8)
0	0	0	x	1	1	1	x	Alt. Status Register(D7-D0) Drive Address Register(D15-D8)	Device Control Register(D7-D0) invalid
0	1	0	x	1	1	1	0	Alt. Status Register(D7-D0)	Device Control Register(D7-D0)
0	1	0	x	1	1	1	1	Drive Address Register(D7-D0)	invalid
0	0	1	x	1	1	1	x	Drive Address Register(D15-D8)	invalid

Preliminary

MFOXXXX-11ATXX series  
ATA PC CARDS

**Primary(Secondary) I/O(Index=2, 3)**

REG#	CE2#	CE1#	A9-A4	A3	A2	A1	A0	Register	
								IORD#="L"	IOWR#="L"
0	0	0	1Fh(17h)	0	0	0	x	Data Register(D15-D0)	Data Register(D15-D0)
0	1	0	1Fh(17h)	0	0	0	0	Data Register[Even, Odd](D7-D0)	Data Register[Even, Odd](D7-D0)
0	1	0	1Fh(17h)	0	0	0	1	Error Register(D7-D0)	Feature Register(D7-D0)
0	0	1	1Fh(17h)	0	0	0	x	Error Register(D15-D8)	Feature Register(D15-D8)
0	0	0	1Fh(17h)	0	0	1	x	Sector Count Register(D7-D0) Sector Number Register(D15-D8)	Sector Count Register(D7-D0) Sector Number Register(D15-D8)
0	1	0	1Fh(17h)	0	0	1	0	Sector Count Register(D7-D0)	Sector Count Register(D7-D0)
0	1	0	1Fh(17h)	0	0	1	1	Sector Number Register(D7-D0)	Sector Number Register(D7-D0)
0	0	1	1Fh(17h)	0	0	1	x	Sector Number Register(D15-D8)	Sector Number Register(D15-D8)
0	0	0	1Fh(17h)	0	1	0	x	Cylinder Low Register(D7-D0) Cylinder High Register(D15-D8)	Cylinder Low Register(D7-D0) Cylinder High Register(D15-D8)
0	1	0	1Fh(17h)	0	1	0	0	Cylinder Low Register(D7-D0)	Cylinder Low Register(D7-D0)
0	1	0	1Fh(17h)	0	1	0	1	Cylinder High Register(D7-D0)	Cylinder High Register(D7-D0)
0	0	1	1Fh(17h)	0	1	0	x	Cylinder High Register(D15-D8)	Cylinder High Register(D15-D8)
0	0	0	1Fh(17h)	0	1	1	x	Drive Head Register(D7-D0) Status Register(D15-D8)	Drive Head Register(D7-D0) Command Register(D15-D8)
0	1	0	1Fh(17h)	0	1	1	0	Drive Head Register(D7-D0)	Drive Head Register(D7-D0)
0	1	0	1Fh(17h)	0	1	1	1	Status Register(D7-D0)	Command Register(D7-D0)
0	0	1	1Fh(17h)	0	1	1	x	Status Register(D15-D8)	Command Register(D15-D8)
0	0	0	3Fh(37h)	0	1	1	x	Alt. Status Register(D7-D0) Drive Address Register(D15-D8)	Device Control Register(D7-D0) invalid
0	1	0	3Fh(37h)	0	1	1	0	Alt. Status Register(D7-D0)	Device Control Register(D7-D0)
0	1	0	3Fh(37h)	0	1	1	1	Drive Address Register(D7-D0)	invalid
0	0	1	3Fh(37h)	0	1	1	x	Drive Address Register(D15-D8)	invalid

**IDE ATA Interface**

CS1#	CS0#	A2-A0	Register	
			IORD#="L"	IOWR#="L"
1	0	0h	Data Register(D15-D0)	Data Register(D15-D0)
1	0	1h	Error Register(D7-D0)	Feature Register(D7-D0)
1	0	2h	Sector Count Register(D7-D0)	Sector Count Register(D7-D0)
1	0	3h	Sector Number Register(D7-D0)	Sector Number Register(D7-D0)
1	0	4h	Cylinder Low Register(D7-D0)	Cylinder Low Register(D7-D0)
1	0	5h	Cylinder High Register(D7-D0)	Cylinder High Register(D7-D0)
1	0	6h	Drive Head Register(D7-D0)	Drive Head Register(D7-D0)
1	0	7h	Status Register(D7-D0)	Command Register(D7-D0)
0	1	6h	Alt. Status Register(D7-D0)	Device Control Register(D7-D0)
0	1	7h	Drive Address Register(D7-D0)	invalid

**Configuration Register Specifications**

**Configuration Option Register**

This register is used for the configuration of the card configuration status and for the issuing soft reset to the card.

D7	D6	D5	D4	D3	D2	D1	D0
SRESET	LevIREQ	Index					

Name	R/W	Description
SRESET	R/W	Setting this bit to "1", places the card in the reset state. When the host returns this bit to "0", the function shall enter the same unconfigured, reset state as the card does following a power-up and hardware reset.
LevIREQ	R/W	If this bit is set to "0", card generates pulse mode interrupt. If this bit is set to "1", card generates level mode interrupts.
Index	R/W	This bits is used for select operation mode of the card as follows. When Power on, Card Hard Reset and Soft reset, this data is "000000" for the purpose of Memory card interface recognition. Index: 0 -> Memory mapped 1 -> Contiguous I/O mapped 2 -> Primary I/O mapped 3 -> Secondary I/O mapped

**Configuration and Status Register**

This register is used for observing the card state.

D7	D6	D5	D4	D3	D2	D1	D0
Changed	SigChg	lois8	0	0	PwrDwn	Intr	0

Name	R/W	Description
Changed	R/O	This bit indicates that CREADY bit on the Pin Replacement register is set to "1". When Changed bit is set to "1", STSCHG# pin is held "L" if the SigChg bit is "1" and the card is configured for the I/O interface.
SigChg	R/W	This bit is set or reset by the host for enabling and disabling the status change signal(STSCHG# pin). When the card is configured I/O card interface and this bit is set to "1", STSCHG# pin is controlled by Changed bit. If this bit is set to "0", STSCHG# pin is kept "H".
lois8	R/W	This card is always configured for both 8-bit and 16-bit I/O, so this bit is ignored.
PwrDwn	R/W	When this bit is set to "1", the card enters Power Down mode. When this bit is reset to "0", the host is requesting the card to enter the active mode. RREADY bit on Pin Replacement Register becomes BUSY when this bit is changed. RREADY will not become Ready until the power state requested has been entered. This card automatically powers down when it is idle, and powers back up when it receives a command.
Intr	R/W	This bit represents the internal state of the interrupt request. This bit state is available whether I/O card interface has been configured or not. This signal remains true until the condition which caused the interrupt request has been serviced. If interrupts are disabled by the nIEN bit in the Device Control Register, this bit is a zero.

**Pin Replacement Register**

This register is used for providing the signal state of READY signal when the card configured I/O card interface.

D7	D6	D5	D4	D3	D2	D1	D0
0	0	CREADY	0	1	1	RREADY	0

Name	R/W	Description
CREADY	R/W	This bit is set to "1" when the RREADY bit changes state. This bit may also be written by the host.
RREADY	R/W	When read, this bit indicates READY pin states. When written, this bit acts as a mask for writing the CREADY bit.

**Socket and Copy Register**

This register is used for identification of the card from the other cards. Host can read and write this register. This register should be set by host before this card's Configuration Option register set.

D7	D6	D5	D4	D3	D2	D1	D0
0	Copy Number			Socket Number			

Name	R/W	Description
Copy Number	R/W	This bit indicates the drive number of the card for twin card configuration. And the host can select and drive one card by comparing the number in this field with the drive number of Drive Head Register. In the way, the host can perform the card's master/slave organization.
Socket Number	R/W	This field indicates to the card that it is located in the n'th socket.

Preliminary

MFOXXXX-11ATXX series  
ATA PC CARDS

**CIS Information**

CIS informatoins are defined as follows.

Offset	Data	7	6	5	4	3	2	1	0	Description																																																																																																																								
0000h	01h	CISTPL_DEVICE								Common Memory device information																																																																																																																								
0002h	03h	TPL_LINK								Link to next tuple																																																																																																																								
0004h	D9h	Device Type				WPS	Device Speed				Device Type=Dh : Function specific WPS=1 : No WPS Device Speed=1 : 250ns																																																																																																																							
0006h	01h	1x				2K				2kBytes of address space																																																																																																																								
0008h	FFh	Marks end of Device Info fields																																																																																																																																
000Ah	1Ch	CISTPL_DEVICE_OC								Other Conditions Device information																																																																																																																								
000Ch	04h	TPL_LINK								Link to next tuple																																																																																																																								
000Eh	02h	EXT	Reserved				Vcc	MWAIT			EXT=0, Vcc=5.0V, Wait is not used.																																																																																																																							
0010h	D9h	Device Type				WPS	Device Speed				Device Type=Dh : Function specific WPS=1 : No WPS Device Speed=250ns																																																																																																																							
0012h	01h	1x				2K				2kbytes of address space																																																																																																																								
0014h	FFh	Marks end of Other Conditions Device Info																																																																																																																																
0016h	1Ch	CISTPL_DEVICE_OC								Other Conditions Device information																																																																																																																								
0018h	04h	TPL_LINK								Link to next tuple																																																																																																																								
001Ah	02h	EXT	Reserved				Vcc	MWAIT			EXT=0, Vcc=3.3V, Wait is not used.																																																																																																																							
001Ch	D9h	Device Type				WPS	Device Speed				Device Type=Dh : Function specific WPS=1 : No WPS Device Speed=250ns																																																																																																																							
001Eh	01h	1x				2K				2kbytes of address space																																																																																																																								
0020h	FFh	Marks end of Other Conditions Device Info																																																																																																																																
0022h	18h	CISTPL_JEDEC_C								JEDEC Identifier Tuples																																																																																																																								
0024h	02h	TPL_LINK								Link to next tuple																																																																																																																								
0026h	DFh	JEDEC identifier for first device info entry.								PC Card ATA																																																																																																																								
0028h	01h	JEDEC identifiers for remaining device info entries.								with no Vpp require for any operation																																																																																																																								
002Ah	20h	CISTPL_MANFID								Manufacturer Identification Tuple																																																																																																																								
002Ch	04h	TPL_LINK								Link to next tuple																																																																																																																								
002Eh	1Ch	PC Card manufacturer code								001Ch																																																																																																																								
0030h	00h	manufacturer information								0001h																																																																																																																								
0032h	01h																																																																																																																																	
0034h	00h																																																																																																																																	
0036h	15h	CISTPL_VERS_1								Level 1 Version / Product Information																																																																																																																								
0038h	1Ch	TPL_LINK								Link to next tuple																																																																																																																								
003Ah	04h	TPLL1_MAJOR								PCMCIA2.0 / JEIDA4.1																																																																																																																								
003Ch	01h	TPLL1_MINOR								PCMCIA2.0 / JEIDA4.1																																																																																																																								
003Eh	4Dh	TPLL1_INFO								M																																																																																																																								
0040h	49h									TPLL1_INFO								I																																																																																																																
0042h	54h																	TPLL1_INFO								T																																																																																																								
0044h	53h																									TPLL1_INFO								S																																																																																																
0046h	55h																																	TPLL1_INFO								U																																																																																								
0048h	42h																																									TPLL1_INFO								B																																																																																
004Ah	49h																																																	TPLL1_INFO								I																																																																								
004Ch	53h																																																									TPLL1_INFO								S																																																																
004Eh	48h																																																																	TPLL1_INFO								H																																																								
0050h	49h																																																																									TPLL1_INFO								I																																																
0052h	00h																																																																																	TPLL1_INFO																																																
0054h	41h																																																																																									TPLL1_INFO								A																																
0056h	54h																																																																																																	TPLL1_INFO								T																								
0058h	41h																																																																																																									TPLL1_INFO								A																
005Ah	20h																																																																																																																	TPLL1_INFO																
005Ch	43h																																																																																																																									TPLL1_INFO								C
005Eh	41h																																																																																																																																	TPLL1_INFO
0060h	52h	TPLL1_INFO																																																																																																																																
0062h	44h									TPLL1_INFO																																																																																																																								
0064h	00h																	TPLL1_INFO																																																																																																																



Preliminary

MFOXXXX-11ATXX series  
ATA PC CARDS

CIS Information(Continued)

Offset	Data	7	6	5	4	3	2	1	0	Description	
0066h	34h									4	
0068h	2Eh									.	
006Ah	30h									0	
006Ch	30h									0	
006Eh	00h										
0070h	FFh									Marks end of chain.	
0072h	21h	CISTPL_FUNCID								Function Identification Tuple	
0074h	02h	TPL_LINK								Link to next tuple	
0076h	04h	Card Function Code								PC Card ATA(Fixed Disk)	
0078h	01h	Reserved						ROM	POST	ROM=0 : No BIOS ROM POST=1: Configure card at power on	
007Ah	22h	CISTPL_FUNCE								Function Extension Tuple	
007Ch	02h	TPL_LINK								Link to next tuple	
007Eh	01h	Disk Function Extension Tuple Type								Disk Interface Type	
0080h	01h	Disk Interface Type								PC Card ATA Interface	
0082h	22h	CISTPL_FUNCE								Function Extension Tuple	
0084h	03h	TPL_LINK								Link to next tuple	
0086h	02h	Disk Function Extension Tuple Type								Basic PC Card ATA Interface tuple	
0088h	04h	RFU			D	U	S	V			V=0 : No Vpp Required S=1 : Silicon U=0 : ID Drive Mfg/SN not Unique D=0 : Single Drive on Card
008Ah	0Fh	RFU	I	E	N	P3	P2	P1	P0	P0=1 : Sleep Mode Supported P1=1 : Standby Mode Supported P2=1 : Idle Mode Supported P3=1 : Drive Auto Power Control N=0 : No Configs exclude I/O port 3F7H/377H E=0 : Index bit is not emulated I=0 : IOIS16# use is Unspecified on Twin Card Configurations	
008Ch	1Ah	CISTPL_CONF								Configuration Tuple	
008Eh	05h	TPL_LINK								Link to next tuple	
0090h	01h	RFS			RMS			RAS			RFS=0 : No Reserved Field RMS=0 : 1 Byte Register Mask RAS=1 : 2 Byte Config Base Address
0092h	03h	TPCC_LAST								Last Index = 3	
0094h	00h	TPCC_RADR (lsb)								Configuration Registers are located	
0096h	02h	TPCC_RADR (msb)								at 200H in Reg Space	
0098h	0Fh	RFU	RFU	RFU	E	S	P	C	I	First 4 Configuration Registers present	
009Ah	1Bh	CISTPL_CFTABLE_ENTRY								Configuration Table Entry Tuple	
009Ch	08h	TPL_LINK								Link to next tuple	
009Eh	C0h	I	D	Configuration Index						Interface Byte Follows, Default Entry, Configuration Index = 0	
00A0h	40h	W	R	P	B	Interface Type				Mem Interface; Bvd's and wProt not used; Ready active and Wait not used for memory cycles.	
00A2h	A1h	M	MS		IR	IO	T	P			Has Vcc, Mem Space and Misc Info
00A4h	01h	R	DI	PI	AI	SI	HV	LV	NV	Nominal Voltage Only Follows	
00A6h	55h	X	Mantissa				Exponent				Vcc Nominal is 5 Volts
00A8h	08h	Length in 256 bytes pages (lsb)								Length of Mem Space is 2 KB	
00AAh	00h	Length in 256 bytes pages (msb)								Starts at 0 on card	
00ACh	21h	X	RFU	P	RO	A	T			Power Down, Twin Card supported.	
00AEh	1Bh	CISTPL_CFTABLE_ENTRY								Configuration Table Entry Tuple	
00B0h	05h	TPL_LINK								Link to next tuple	
00B2h	00h	I	D	Configuration Index						No Interface Byte, Non Default Entry, Configuration Index = 0	
00B4h	01h	M	MS		IR	IO	T	P			Has Vcc Info
00B6h	01h	R	DI	PI	AI	SI	HV	LV	NV	Nominal Voltage Only Follows	
00B8h	B5h	X	Mantissa				Exponent				Vcc Nominal is 3.3 Volts
00BAh	1Eh	Extension									



Preliminary

MFOXXXX-11ATXX series  
ATA PC CARDS

**CIS Information(Continued)**

Offset	Data	7	6	5	4	3	2	1	0	Description
00BCh	1Bh	CISTPL_CFTABLE_ENTRY								Configuration Table Entry Tuple
00BEh	0Ah	TPL_LINK								Link to next tuple
00C0h	C1h	I	D	Configuration Index						Interface Byte Follows, Default Entry, Configuration Index = 1
00C2h	41h	W	R	P	B	Interface Type				I/O Interface; Bvd's and wProt not used; Ready active and Wait not used for memory cycles.
00C4h	99h	M	MS		IR	IO	T	P		Has Vcc, I/O, IRQ and Misc Info
00C6h	01h	R	DI	PI	AI	SI	HV	LV	NV	Nominal Voltage Only Follows
00C8h	55h	X	Mantissa				Exponent			Vcc Nominal is 5 Volts
00CAh	64h	R	S	E	IO AddrLines					I/O : Range=0, Bus16=1, Bus8=1, IO AddrLines=4
00CCh	F0h	S	P	L	M	Level or Mask				Share=1, Pulse=1, Level=1, Mask=1
00CEh	FFh	IRQ7	IRQ6	IRQ5	IRQ4	IRQ3	IRQ2	IRQ1	IRQ0	IRQ Level to be routed 0 - 15 recommended.
00D0h	FFh	IRQ15	IRQ14	IRQ13	IRQ12	IRQ11	IRQ10	IRQ9	IRQ8	
00D2h	21h	X	RFU	P	RO	A	T			Power Down, Twin Card supported.
00D4h	1Bh	CISTPL_CFTABLE_ENTRY								Configuration Table Entry Tuple
00D6h	05h	TPL_LINK								Link to next tuple
00D8h	01h	I	D	Configuration Index						No Interface Byte, Non Default Entry, Configuration Index = 1
00DAh	01h	M	MS		IR	IO	T	P		Has Vcc Info
00DCh	01h	R	DI	PI	AI	SI	HV	LV	NV	Nominal Voltage Only Follows
00DEh	B5h	X	Mantissa				Exponent			Vcc Nominal is 3.3 Volts
00E0h	1Eh	Extension								
00E2h	1Bh	CISTPL_CFTABLE_ENTRY								Configuration Table Entry Tuple
00E4h	0Fh	TPL_LINK								Link to next tuple
00E6h	C2h	I	D	Configuration Index						Interface Byte Follows, Default Entry, Configuration Index = 2
00E8h	41h	W	R	P	B	Interface Type				I/O Interface; Bvd's and wProt not used; Ready active and Wait not used for memory cycles.
00EAh	99h	M	MS		IR	IO	T	P		Has Vcc, I/O, IRQ and Misc Info
00ECh	01h	R	DI	PI	AI	SI	HV	LV	NV	Nominal Voltage Only Follows
00EEh	55h	X	Mantissa				Exponent			Vcc Nominal is 5 Volts
00F0h	EAh	R	S	E	IO AddrLines					I/O : Range=1, Bus16=1, Bus8=1, IO AddrLines=10
00F2h	61h	LS		AS		N Ranges				Number of Address Ranges = 2 Address Size = 2 Length Size = 1
00F4h	F0h	First I/O Base Address (LSB)								First I/O Base Address = 1F0h
00F6h	01h	First I/O Base Address (MSB)								
00F8h	07h	First I/O Length minus 1								First I/O Range is 8 Byte Length
00FAh	F6h	Second I/O Base Address (LSB)								Second I/O Base Address = 3F6h
00FCh	03h	Second I/O Base Address (MSB)								
00FEh	01h	Second I/O Length minus 1								Second I/O Range is 2 Byte Length
0100h	EEh	S	P	L	M	IRQ Level				Share=1, Pulse=1, Level=1, Mask=0, IRQ14 is recommended.
0102h	21h	X	RFU	P	RO	A	T			Power Down, Twin Card supported.
0104h	1Bh	CISTPL_CFTABLE_ENTRY								Configuration Table Entry Tuple
0106h	05h	TPL_LINK								Link to next tuple
0108h	02h	I	D	Configuration Index						No Interface Byte, Non Default Entry, Configuration Index = 2
010Ah	01h	M	MS		IR	IO	T	P		Has Vcc Info
010Ch	01h	R	DI	PI	AI	SI	HV	LV	NV	Nominal Voltage Only Follows
010Eh	B5h	X	Mantissa				Exponent			Vcc Nominal is 3.3 Volts
0110h	1Eh	Extension								

Preliminary

MFOXXXX-11ATXX series  
ATA PC CARDS

**CIS Information(Continued)**

Offset	Data	7	6	5	4	3	2	1	0	Description	
0112h	1Bh	CISTPL_CFTABLE_ENTRY								Configuration Table Entry Tuple	
0114h	0Fh	TPL_LINK								Link to next tuple	
0116h	C3h	I	D	Configuration Index						Interface Byte Follows, Default Entry, Configuration Index = 3	
0118h	41h	W	R	P	B	Interface Type				I/O Interface; Bvd's and wProt not used; Ready active and Wait not used for memory cycles.	
011Ah	99h	M	MS		IR	IO	T	P		Has Vcc, I/O, IRQ and Misc Info	
011Ch	01h	R	DI	PI	AI	SI	HV	LV	NV	Nominal Voltage Only Follows	
011Eh	55h	X	Mantissa				Exponent				Vcc Nominal is 5 Volts
0120h	EAh	R	S	E	IO AddrLines					I/O : Range=1, Bus16=1, Bus8=1, IO AddrLines=10	
0122h	61h	LS		AS		N Ranges				Number of Address Ranges = 2 Address Size = 2 Length Size = 1	
0124h	70h	First I/O Base Address (LSB)								First I/O Base Address = 170h	
0126h	01h	First I/O Base Address (MSB)									
0128h	07h	First I/O Length minus 1								First I/O Range is 8 Byte Length	
012Ah	76h	Second I/O Base Address (LSB)								Second I/O Base Address = 376h	
012Ch	03h	Second I/O Base Address (MSB)									
012Eh	01h	Second I/O Length minus 1								Second I/O Range is 2 Byte Length	
0130h	EEh	S	P	L	M	IRQ Level				Share=1, Pulse=1, Level=1, Mask=0, IRQ14 is recommended.	
0132h	21h	X	RFU	P	RO	A	T			Power Down, Twin Card supported.	
0134h	1Bh	CISTPL_CFTABLE_ENTRY								Configuration Table Entry Tuple	
0136h	05h	TPL_LINK								Link to next tuple	
0138h	03h	I	D	Configuration Index						No Interface Byte, Non Default Entry, Configuration Index = 3	
013Ah	01h	M	MS		IR	IO	T	P		Has Vcc Info	
013Ch	01h	R	DI	PI	AI	SI	HV	LV	NV	Nominal Voltage Only Follows	
013Eh	B5h	X	Mantissa				Exponent				Vcc Nominal is 3.3 Volts
0140h	1Eh	Extension									
0142h	14h	CISTPL_NO_LINK								No Link Tuple	
0144h	00h	TPL_LINK								Link to next tuple	
0146h	FFh	CISTPL_END								End of List Tuple	

**ATA Register Specifications**

**Data Register**

This register is a 16 bit register which is used to transfer data blocks between the card data buffer and the host. Data may be transferred by either a series of word accesses to the Data register or a series of byte accesses to the Data register.

D15	D14	D13	D12	D11	D10	D9	D8
Data Word							
Odd Data Byte							

D7	D6	D5	D4	D3	D2	D1	D0
Data Word							
Data Byte							

**Error Register**

This register contains additional information about the source of an error which has occurred in processing of the preceding command. This register should be checked by the host when ERR bit in the Status register is set. The Error register is a read only register.

D7	D6	D5	D4	D3	D2	D1	D0
BBK	UNC	0	IDNF	0	ABRT	0	AMN F

Field	function
BBK	This bit is set when a Bad Block is detected in requested ID field. Host can not read/write on data area that is marked as a Bad Block.
UNC	This bit is set when Uncorrectable error is occurred at reading the card.
IDNF	The requested sector ID is in error or cannot be found.
ABRT	This bit is set if the command has been aborted because of the card status condition. (Not ready, Write fault, etc.) or when an invalid command has been issued.
AMNF	This bit is set in case of a general error.

**Feature Register**

This register is written by the host to provide command specific information to the drive regarding features of the drive which the host wish to utilize. The Feature register is a write only register.

D7	D6	D5	D4	D3	D2	D1	D0
Feature byte							

**Sector Count Register**

This register is written by the host with the number of sectors or blocks to be processed in the subsequent command. After the command is complete, the host may read this register to obtain the count of sectors left unprocessed by the command.

D7	D6	D5	D4	D3	D2	D1	D0
Sector Count							

**Sector Number Register**

This register is written by the host with the starting sector number to be used in the subsequent Cylinder-Head-Sector command. After the command is complete, the host may read the final sector number from this register. When logical block addressing is used, this register is written by the host with bit7 to 0 of the starting logical block number and contains bit7 to 0 of the final logical block number after the command is complete.

D7	D6	D5	D4	D3	D2	D1	D0
Sector Number							
Logical Block Number bits A07-A00(LBA Addressing)							

**Cylinder Low Register**

This register is written by the host with the low-order byte of the starting cylinder address to be used in the subsequent Cylinder-Head-Sector command. After the command is complete, the host may read the low-order byte of the final cylinder number from this register. When logical block addressing is used, this register is written by the host with bits15 to 8 of the starting logical block number and contains bits15 to 8 of the final logical block number after the command complete.

D7	D6	D5	D4	D3	D2	D1	D0
Cylinder Low Byte							
Logical Block Number bits A15-A08(LBA Addressing)							

**Cylinder High Register**

This register is written by the host with the high-order byte of the starting cylinder address to be used in the subsequent Cylinder-Head-Sector command. After the command is complete, the host may read the high-order byte of the final cylinder number from this register. When logical block addressing is used, this register is written by the host with bits 23 to 16 of the starting logical block number and contains bits23 to 16 of the final logical block number after the command is complete.

D7	D6	D5	D4	D3	D2	D1	D0
Cylinder High Byte							
Logical Block Number bits A23-A16(LBA Addressing)							



Preliminary

MFOXXXX-11ATXX series  
ATA PC CARDS

**Drive/Head Register**

The Drive/Head register is used to specify the selected drive of a pair of drives sharing a set of registers.

D7	D6	D5	D4	D3	D2	D1	D0
X	LBA	X	DRV	HS3 LBA27	HS2 LBA26	HS1 LBA25	HS0 LBA24

Field	function
X	Undefined . "0" or "1".
LBA	This bit is "0" for CHS addressing and "1" for Logical Block addressing.
DRV	This bit is number of the drive which the host has selected. When DRV is cleared, Drive0 is selected. When DRV is set, Drive1 is selected. The card is selected to be Drive0 or to be Drive1 using the "Copy" field of the PC Card Socket Copy Register.
HS3-0 LBA27-24	HS3-0 of the head number in CHS addressing or LBA27-24 of the Logical Block Number in LBA addressing.

**Status and Alternate Status Registers**

The Status register and the Alternate Status register return the card status when read by the host. Reading the Status register clears a pending interrupt request while reading the Alternate Status register does not. The Status register and the Alternate Status register are read only registers.

D7	D6	D5	D4	D3	D2	D1	D0
BSY	DRDY	DWF	DSC	DRQ	CORR	IDX	ERR

Field	function
BSY	This bit is set when the card internal operation is executing. When this bit is set to "1", other bits in this register are invalid.
DRDY	DRDY indicates whether the card is capable of performing card operations.
DWF	This bit, if set, indicates a write fault has occurred.
DSC	This bit is set when the drive seek complete.
DRQ	This bit is set when the information can be transferred between the host and Data register.
CORR	This bit is set when a correctable data error has been occurred and the data has been corrected.
IDX	This bit is always set to "0".
ERR	This bit is set when the previous command has ended in some type of error. The error information is set in the other Status register bits or Error register. This bit is cleared by the next command.

**Command Register**

The Command register contains the command code being sent to the device. Command execution begins immediately after this register is written. The Command register is a write only register.

D7	D6	D5	D4	D3	D2	D1	D0
Command							

**Device Control Register**

This register is used to control the card interrupt request and to issue a soft reset to the card. The Device Control register is a write only register.

D7	D6	D5	D4	D3	D2	D1	D0
X	X	X	X	1	SRST	nIEN	0

Field	function
X	don't care.
1	This bit is set to "1".
SRST	This bit is set to "1" in order to force the card to perform a Command Block Reset operation. This does not change the Card Configuration registers as a Hardware Reset does. The card remains in Reset until this bit is reset to "0".
nIEN	This bit is used for enabling IREQ#. When this bit is set to "0", IREQ# is enabled. When this bit is set to "1", IREQ# is disabled.
0	This bit is set to "0".

**Drive Address Register**

This register is provided for compatibility with the AT disk drive interface.

D7	D6	D5	D4	D3	D2	D1	D0
X	nWT G	nHS3-0				nDS1	nDS0

Field	function
X	This bit is unknown.
nWTG	This bit is set to "0" when a Flash write operation is in progress, otherwise it is set to "1".
nHS3-0	These bits is the negative value of Head Select bits in Drive/Head register.
nDS1	This bit is set to "0" when Slave drive is active and selected.
nDS0	This bit is set to "0" when Master drive is active and selected.

*Preliminary*

MFOXXXX-11ATXX series  
ATA PC CARDS

**ATA Command Specifications**

This table summarizes the ATA command set with the paragraphs. Following shows the support commands and command codes which are written in command registers.

Command	Code	FR	SC	SN	CY	DR	HD
Check Power Mode	98h, E5h					y	
Execute Drive Diagnostic	90h					y	
Erase Sector(s)	C0h		y	y	y	y	y
Format Track	50h		y		y	y	y
Identify Drive	ECh					y	
Idle	97h, E3h		y			y	
Idle Immediate	95h, E1h					y	
Initialize Drive Parameters	91h		y			y	y
Read Buffer	E4h					y	
Read Long Sector	22h, 23h			y	y	y	y
Read Multiple	C4h		y	y	y	y	y
Read Sector(s)	20h, 21h		y	y	y	y	y
Read Verify Sector(s)	40h, 41h		y	y	y	y	y
Recalibrate	1xh					y	
Request Sense	03h					y	
Seek	7xh			y	y	y	y
Set Features	EFh	y	y			y	
Set Multiple mode	C6h		y			y	
Set Sleep Mode	99h, E6h					y	
Standby	96h, E2h					y	
Standby Immediate	94h, E0h					y	
Translate Sector	87h		y	y	y	y	y
Wear Level	F5h					y	
Write Buffer	E8h					y	
Write Long Sector	32h, 33h			y	y	y	y
Write Multiple	C5h		y	y	y	y	y
Write Multiple without Erase	CDh		y	y	y	y	y
Write Sector(s)	30h, 31h		y	y	y	y	y
Write Sector without Erase	38h		y	y	y	y	y
Write Verify	3Ch		y	y	y	y	y
FR : Feature Register, SN : Sector Number Register, DR Drive bit of Drive/Head Register,		SC : Sector Count Register, CY : Cylinder Low/High Register, HD : Head No. of Drive/Head Register,					

*Preliminary*

MFOXXXX-11ATXX series  
ATA PC CARDS

**Check Power Mode(98h, E5h)**

This command checks the power mode.

**Execute Drive Diagnostic(90h)**

This command performs the internal diagnostic tests implemented by the card.

**Erase Sector(s)(C0h)**

This command is used to pre-erase and condition data sectors in advance of a Write without Erase or Write Multiple without Erase command.

**Format Track(50h)**

This command writes the desired head and cylinder of the selected drive with a FFh pattern.

**Identify Drive(ECh)**

This command enables the host to receive parameter information from the card. (Refer to the Identify Drive Information table.)

**Idle(97h, E3h)**

This command causes the card to set BSY, enter the Idle mode, clear BSY and generate an interrupt. If the sector count is non-zero, the automatic power down mode is enabled. If the sector count is zero, the automatic power down mode is disabled.

**Idle Immediate(95h, E1h)**

This command causes the card to set BSY, enter the idle mode, clear BSY and generate an interrupt.

**Initialize Drive Parameters(91h)**

This command allows the host to alter the number of sectors per track and the number of heads per cylinder.

**Read Buffer(E4h)**

This command enables the host to read the current contents of the card's sector buffer.

**Read Long Sector(22h, 23h)**

This command is similar to the Read Sector(s) command except the contents of the Sector Count register are ignored and only one sector is read. The 512 data bytes and 4 ECC bytes are read into the buffer(with no ECC correction) and then transferred to the host.

**Read Multiple(C4h)**

This command performs similarly to the Read Sector(s) command. Interrupt are not generated on each sector, but on the transfer of a block which contains the number of sectors defined by a Set Multiple command.

**Read Sector(s)(20h, 21h)**

This command transfers data from the card to the host. Data transfer starts at the sector specified by the Cylinder, Head, and Sector Number registers, and proceeds for the number of sectors specified in the Sector Count register.

**Read Verify Sector(s)(40h, 41h)**

This command is identical to the Read Sector(s) command, except that DRQ is not asserted, and no data is transferred to the host.

**Recalibrate(1xh)**

Although this command is supported for backward compatibility, it has no actual function. The card will always return good status at the completion of this command.

**Request Sense(03h)**

This command requests extended error information for the previous command.

**Seek(7xh)**

This command is supported for backward compatibility. Although this command has no actual function, it does perform a range check of valid track, and posts an IDNF error if the Head or Cylinder specified are out of bounds.

**Set Features(EFh)**

This command is used by the host to establish or select certain features.

**Set Multiple Mode(C6h)**

This command enables the card to perform Read and Write Multiple operations and establishes the block count for these commands. This card supports 1 sector block size.

**Set Sleep Mode(99h, E6h)**

This command causes the card to set BSY, enter the Sleep mode, clear BSY and generate an interrupt.

*Preliminary*

MFOXXXX-11ATXX series  
ATA PC CARDS

---

**Standby(96h, E2h)**

This command causes the card to set BSY, enter the Standby mode, clear BSY and generate an interrupt.

**Standby Immediate(94h, E0h)**

This command causes the card to set BSY, enter the Standby mode, clear BSY and generate an interrupt.

**Translate Sector(87h)**

This command allows the host to know the number of times a user sector has been erased and programmed. This card doesn't support the Hot Count value.

**Wear Leveling(F5h)**

Although this command is supported for backward compatibility, it has no actual function. The card will always return good status at the completion of this command.

**Write Buffer(E8h)**

This command enables the host to overwrite contents of the card's sector buffer with any data pattern desired. This command has the same protocol as the Write Sector(s) command and transfers 512 bytes.

**Write Long Sector(32h, 33h)**

This command is similar to the Write Sector(s) except the contents of the Sector Count register are ignored and only one sector is written. The 512 data bytes and 4 ECC bytes are transferred from the host and then written from the buffer to the flash.

**Write Multiple(C5h)**

This command is similar to the Write Sector(s) command. Interrupts are not presented on each sector, but on the transfer of a block which contains the number of sectors defined by Set Multiple command.

**Write Multiple without Erase(CDh)**

This command is similar to the Write Multiple command. The sectors should be pre-erased with the Erase Sector command before this command is issued. If the sector is not pre-erased, Write Multiple command operation will occur.

**Write Sector(s)(30h, 31h)**

This command transfers data from the host to the card. Data transfer starts at the sector specified by the Cylinder, Head, and Sector Number registers, and proceeds for the number of sectors specified in the Sector Count register.

**Write Sector without Erase(CDh)**

This command is similar to the Write Sector(s) command. The sectors should be pre-erased with the Erase Sector command before this command is issued. If the sector is not pre-erased, Write Sector command operation will occur.

**Write Verify(3Ch)**

This command is similar to the Write Sector(s) command, except each sector is verified immediately after being written.

Preliminary

MFOXXXX-11ATXX series  
ATA PC CARDS

Identify Drive Information

Word Address	Data	Description		
0	848Ah	General configuration bit-significant information		
		15	1	Non-rotating disk drive
		14	0	Format speed tolerance gap not required
		13	0	Track offset option not available
		12	0	Data strobe offset option not available
		11	0	Rotational speed tolerance is < 0.5%
		10	1	Disk transfer rate > 10Mbs
		9	0	10Mbs <= Disk transfer rate > 5Mbs
		8	0	Disk transfer rate <= 5Mbs
		7	1	Removable cartridge drive
		6	0	Not a fixed drive
		5	0	Spindle motor control option not implemented
		4	0	Head switch time > 15us
		3	1	Not MFM encoded
		2	0	Not soft sectored
		1	1	Hard sectored
0	0	Reserved		
1	xxxxh	Number of Cylinders 32MB:01E9, 64MB:03D2, 128MB:03D2, 192MB:02DD, 256MB:03D2, 320MB:026C, 384MB:02E9, 448MB:0365, 512MB:03E1		
2	0000h	Reserved		
3	00xxh	Number of Heads(32MB:04, 64MB:04, 128MB:08, 192 - 256MB:10)		
4	0000h	Number of unformatted bytes per track		
5	0200h	Number of unformatted bytes per sector		
6	00xxh	Number of sectors per track(32 – 256MB:20, 320 – 512MB:3F)		
7-8	xxxxh, xxxh	Number of sectors per card (word 7 = MSW, word 8 = LSW) 32MB:0000F480, 64MB:0001E900, 128MB:0003D200, 192MB:0005BA00, 256MB:0007A400, 320MB:00098940, 384MB:000B7570, 448MB:000D5DB0, 512MB:000F45F0		
9	0000h	Reserved		
10-19	2020h	Reserved		
20	0001h	Buffer type: Single ported, single-sector, w/o read cache		
21	0001h	Buffer size, in 512 byte increments		
22	0004h	ECC length used on Read and Write Long command		
23-26	xxxxh	Firmware revision, 8 ASCII characters		
27-46	xxxxh	Model number, 40 ASCII characters.(32MB:MF0032M-11AT)		
47	0001h	Maximum Block Count=1 for Read/write Multiple commands		
48	0000h	Cannot perform doubleword I/O		
49	0200h	Capabilities: LBA supported, DMA not supported		
50	0000h	Reserved		
51	0200h	PIO timing cycle timing mode 2		
52	0000h	DMA transfer not supported		
53	0001h	Words 54-58 are valid		
54	xxxxh	Number of Current Cylinders		
55	xxxxh	Number of Current Heads		
56	xxxxh	Number of Current Sectors per Track		
57	xxxxh	LSW of the Current Capacity in Sectors		
58	xxxxh	MSW of the Current Capacity in Sectors		
59	010xh	Current Setting for Block Count for R/W Multiple commands		
60	xxxxh	LSW of the total number of user addressable LBA mode		
61	xxxxh	MSW of the total number of user addressable LBA mode		
62-255	0000h	Reserved		

Preliminary

MFOXXXX-11ATXX series  
ATA PC CARDS

**ABSOLUTE MAXIMUM RATINGS**

Symbol	Parameter	Conditions	Ratings	Unit
V <sub>CC</sub>	Supply voltage	With respect to GND	-0.3~6.2	V
V <sub>i</sub>	Input voltage		-0.3~V <sub>CC</sub> +0.3	V
V <sub>o</sub>	Output voltage		-0.3~V <sub>CC</sub> +0.3	V
T <sub>opr</sub>	Operating temperature		0~70	°C
T <sub>stg</sub>	Storage temperature		-10~80	°C

**RECOMMENDED OPERATING CONDITIONS**

Symbol	Parameter	Limits			Unit
		Min.	Typ.	Max.	
V <sub>CC</sub> (5V)	V <sub>CC</sub> Supply voltage	4.5	5.0	5.5	V
V <sub>CC</sub> (3.3V)	V <sub>CC</sub> Supply voltage	3.135	3.3	3.465	V
GND	System ground		0		V
V <sub>IH</sub>	High input voltage	0.7V <sub>CC</sub>		V <sub>CC</sub>	V
V <sub>IL</sub>	Low input voltage	0		0.8	V

**DC ELECTRICAL CHARACTERISTICS** (Ta=0~70°C, V<sub>CC</sub>=5V±10% or V<sub>CC</sub>=3.3V±5%, unless otherwise noted)

Symbol	Parameter	Test Condition	Limits						Unit	
			Min.		Typ.		Max.			
			3.135V	4.5V	3.3V	5.0V	3.465V	5.5V		
V <sub>OH</sub>	High output voltage	I <sub>OH</sub> =3mA (3.135V) 4mA (4.5V)	READY, INPACK#, BVD1, BVD2	0.8V <sub>CC</sub>				-	V	
		I <sub>OH</sub> =6mA (3.135V) 8mA (4.5V)								the other outputs
V <sub>OL</sub>	Low output voltage	I <sub>OL</sub> =-3mA (3.135V) -4mA (4.5V)	READY, INPACK#, BVD1, BVD2	-				0.4	V	
		I <sub>OL</sub> =-6mA (3.135V) -8mA (4.5V)								the other outputs
I <sub>OZ</sub>	Output current in off state	CE1#=CE2#= V <sub>IH</sub>	D15-D0	-				±10	µA	
I <sub>CCR</sub>	Active supply current (Read)	Output open				30	35	100	125	mA
I <sub>CCW</sub>	Active supply current (Write)	32MB				50	55			
		64MB				60	65			
		128 - 512MB				90	100			
I <sub>CCS</sub>	Standby current (Auto power down)	REG# = CE1# = CE2# = V <sub>CC</sub> OE# = IORD# = V <sub>CC</sub> WE# = IOWR# = V <sub>CC</sub> A0-A10 = GND				0.15	0.20	3.0	4.0	mA

**CAPACITANCE**

Symbol	Parameter	Test Condition	Limits			Unit
			Min.	Typ.	Max.	
C <sub>i</sub>	Input capacitance	V <sub>i</sub> =GND, V <sub>i</sub> =25mVrms, f=1 MHz, Ta=25°C			45	pF
C <sub>o</sub>	Output capacitance	V <sub>o</sub> =GND, V <sub>o</sub> =25mVrms, f=1 MHz, Ta=25°C			45	

Note : These parameters are not 100% tested.

Preliminary

MF0XXXX-11ATXX series  
ATA PC CARDS

**AC ELECTRICAL CHARACTERISTICS**

**MEMORY TIMING**

**Read Cycle[Attribute]** (Ta=0~70°C, VCC=5V±10% or VCC=3.3V±5% unless otherwise noted)

Symbol	Parameter	Limits			Unit
		Min.	Typ.	Max.	
tcR	Read cycle time	300			ns
ta(A)	Address access time			300	ns
ta(CE)	Card enable access time			300	ns
ta(OE)	Output enable access time			150	ns
tdis(CE)	Output disable time (from CE)			100	ns
tdis(OE)	Output disable time (from OE)			100	ns
ten(CE)	Output enable time (from CE)	5			ns
ten(OE)	Output enable time (from OE)	5			ns
tV(A)	Data valid time (after address change)	0			ns

**Read Cycle[Common]** (Ta=0~70°C, VCC=5V±10% or VCC=3.3V±5% unless otherwise noted)

Symbol	Parameter	Limits			Unit
		Min.	Typ.	Max.	
tcR	Read cycle time	250			ns
ta(A)	Address access time			250	ns
ta(CE)	Card enable access time			250	ns
ta(OE)	Output enable access time			125	ns
tdis(CE)	Output disable time (from CE)			100	ns
tdis(OE)	Output disable time (from OE)			100	ns
ten(CE)	Output enable time (from CE)	5			ns
ten(OE)	Output enable time (from OE)	5			ns
tV(A)	Data valid time after address change	0			ns

*Preliminary*

MFOXXXX-11ATXX series  
ATA PC CARDS

**Write Cycle[Common]** (Ta=0~70°C, VCC=5V±10% or VCC=3.3V±5% unless otherwise noted)

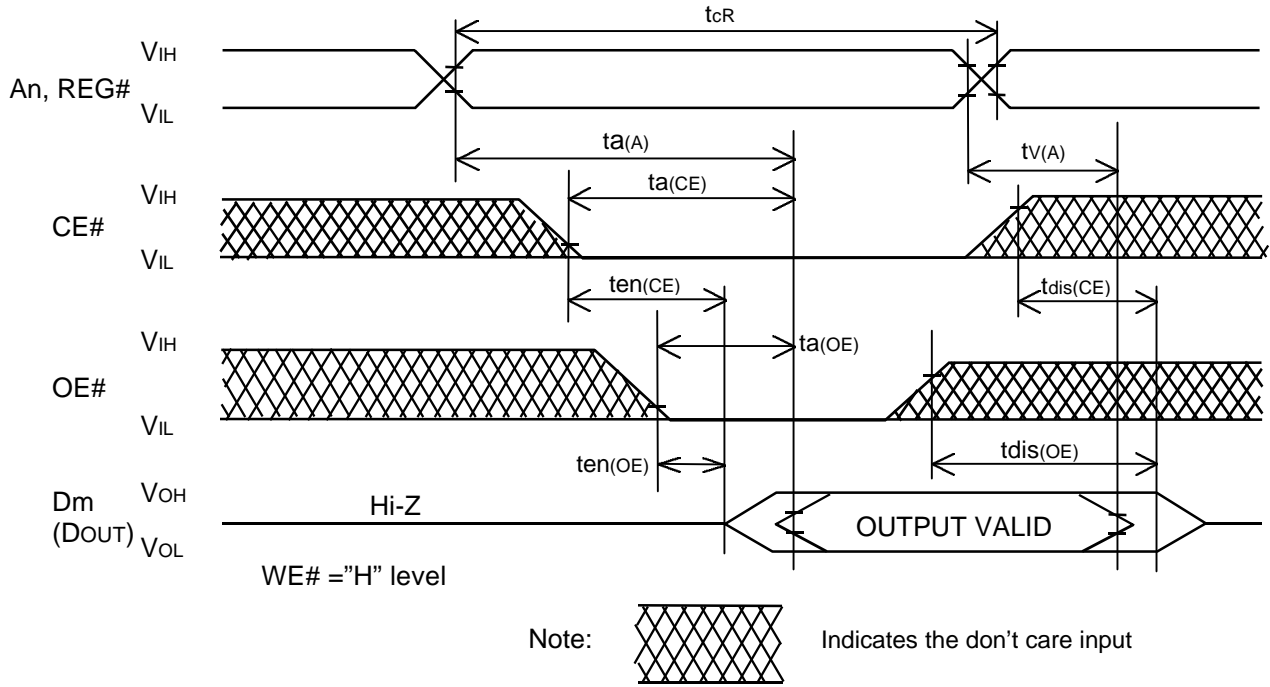
Symbol	Parameter	Limits			Unit
		Min.	Typ.	Max.	
tcW	Write cycle time	250			ns
tw(WE)	Write pulse width	150			ns
tsu(A)	Address setup time	30			ns
tsu(A-WEH)	Address setup time with respect to WE high	180			ns
tsu(CE-WEH)	Card enable setup time with respect to WE high	180			ns
tsu(D-WEH)	Data setup time with respect to WE high	80			ns
th(D)	Data hold time	30			ns
trec(WE)	Write recovery time	30			ns
tdis(WE)	Output disable time (from WE)			100	ns
tdis(OE)	Output disable time (from OE)			100	ns
ten(WE)	Output enable time (from WE)	5			ns
ten(OE)	Output enable time (from OE)	5			ns
tsu(OE-WE)	OE set up time with respect to WE low	10			ns
th(OE-WE)	OE hold time with respect to WE high	10			ns



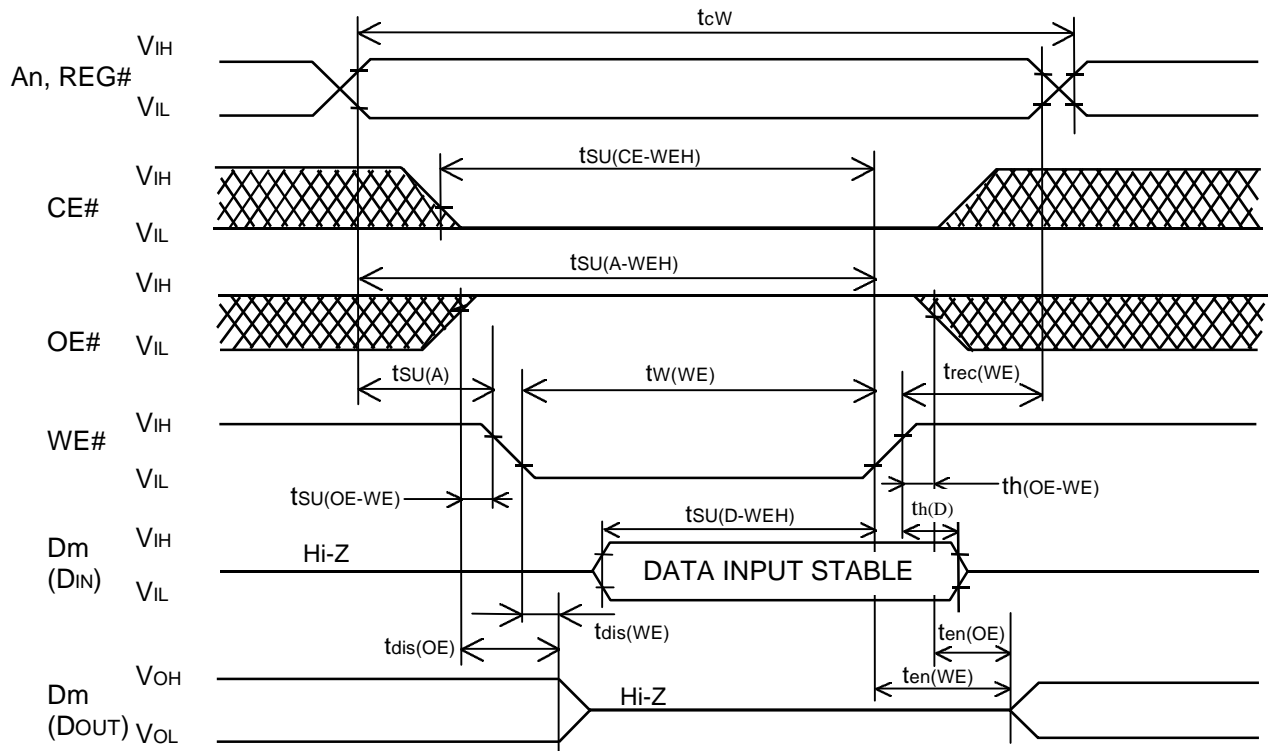
Preliminary

MFOXXXX-11ATXX series  
ATA PC CARDS

**MEMORY TIMING DIAGRAM**  
**Read Cycle**



**Write Cycle**



Preliminary

MFOXXXX-11ATXX series  
ATA PC CARDS

**I/O READ (INPUT) TIMING**

Symbol	Parameter	Limit		Unit
		Min	Max	
td(IORD)	Data Delay after <b>IORD#</b>		100	ns
th(IORD)	Data Hold following <b>IORD#</b>	0		ns
tw(IORD)	<b>IORD#</b> Width Time	165		ns
tsuA(IORD)	Address Setup before <b>IORD#</b>	70		ns
thA(IORD)	Address Hold following <b>IORD#</b>	20		ns
tsuCE(IORD)	<b>CE#</b> Setup before <b>IORD#</b>	5		ns
thCE(IORD)	<b>CE#</b> Hold following <b>IORD#</b>	20		ns
tsuREG(IORD)	<b>REG#</b> Setup before <b>IORD#</b>	5		ns
thREG(IORD)	<b>REG#</b> Hold following <b>IORD#</b>	0		ns
tdfINPACK(IORD)	<b>INPACK#</b> Delay Falling from <b>IORD#</b>	0	45	ns
tdrINPACK(IORD)	<b>INPACK#</b> Delay Rising from <b>IORD#</b>		45	ns
tdfIOIS16(ADR)	<b>IOIS16#</b> Delay Falling from Address		35	ns
tdrIOIS16(ADR)	<b>IOIS16#</b> Delay Rising from Address		35	ns

The maximum load on **INPACK#** and **IOIS16#** are 1 LSTTL with 50 pF total load.

**I/O WRITE (OUTPUT) TIMING**

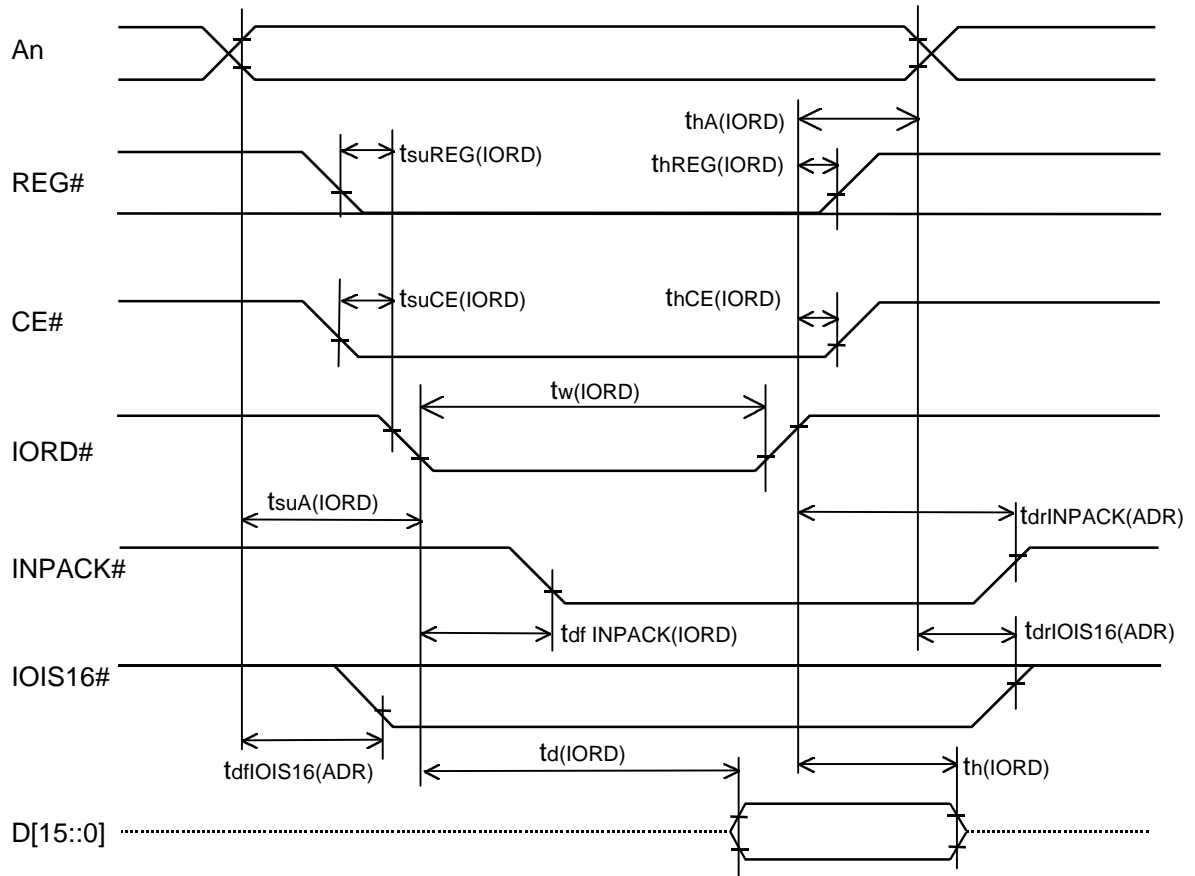
Symbol	Parameter	Limit		Unit
		Min	Max	
tsu(IOWR)	Data Setup before <b>IOWR#</b>	60		ns
th(IOWR)	Data Hold following <b>IOWR#</b>	30		ns
tw(IOWR)	<b>IOWR#</b> Width Time	165		ns
tsuA(IOWR)	Address Setup before <b>IOWR#</b>	70		ns
thA(IOWR)	Address Hold following <b>IOWR#</b>	20		ns
tsuCE(IOWR)	<b>CE#</b> Setup before <b>IOWR#</b>	5		ns
thCE(IOWR)	<b>CE#</b> Hold following <b>IOWR#</b>	20		ns
tsuREG(IOWR)	<b>REG#</b> Setup before <b>IOWR#</b>	5		ns
thREG(IOWR)	<b>REG#</b> Hold following <b>IOWR#</b>	0		ns
tdfIOIS16(ADR)	<b>IOIS16#</b> Delay Falling from Address		35	ns
tdrIOIS16(ADR)	<b>IOIS16#</b> Delay Rising from Address		35	ns

The maximum load on **INPACK#** and **IOIS16#** are 1 LSTTL with 50 pF total load.

Preliminary

MF0XXXX-11ATXX series  
ATA PC CARDS

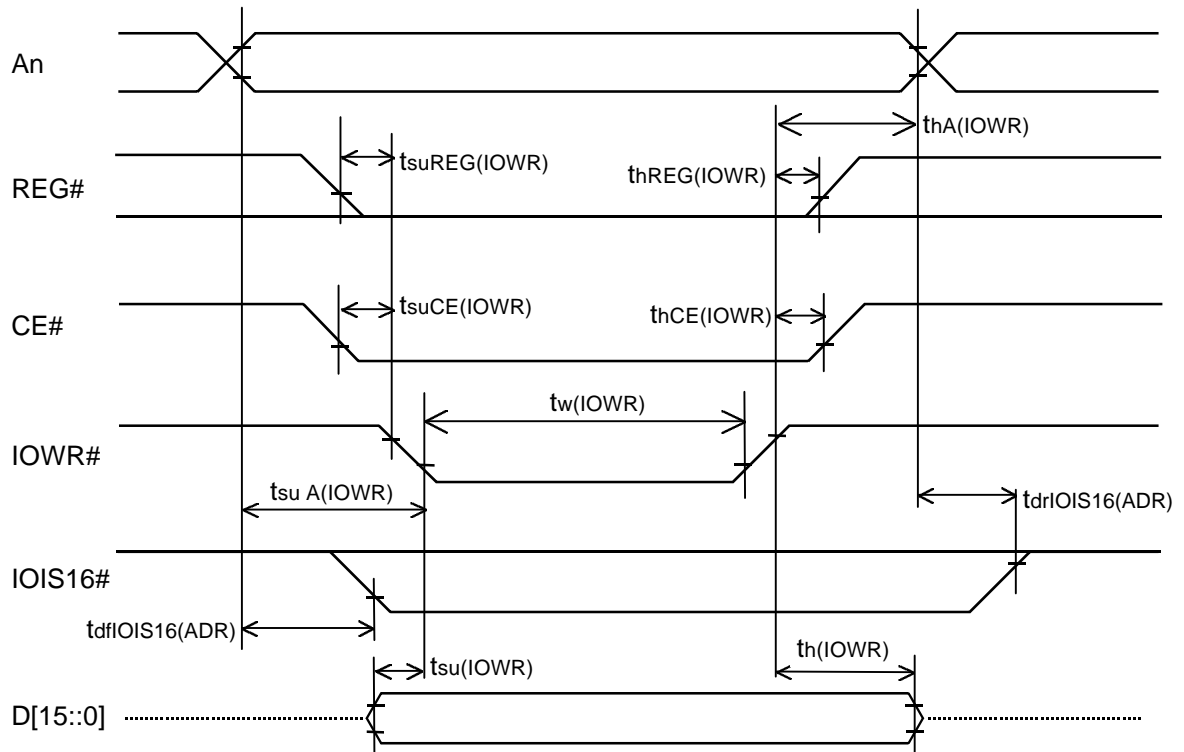
I/O READ (INPUT) TIMING DIAGRAM



Preliminary

MF0XXXX-11ATXX series  
ATA PC CARDS

I/O WRITE (OUTPUT) TIMING DIAGRAM



Preliminary

MFOXXXX-11ATXX series  
ATA PC CARDS

**IDE ATA TIMING(Mode 2)**  
**IDE ATA I/O READ (INPUT) TIMING**

Symbol	Parameter	Limit		Unit
		Min	Max	
td(IORD)	Data Delay after <b>IORD#</b>		50	ns
th(IORD)	Data Hold following <b>IORD#</b>	5		ns
tw(IORD)	<b>IORD#</b> Width Time	70		ns
tsuA(IORD)	Address Setup before <b>IORD#</b>	25		ns
thA(IORD)	Address Hold following <b>IORD#</b>	10		ns
tsuCS(IORD)	<b>CS#</b> Setup before <b>IORD#</b>	5		ns
thCS(IORD)	<b>CS#</b> Hold following <b>IORD#</b>	10		ns
tdfIOCS16(ADR)	<b>IOCS16#</b> Delay Falling from Address		35	ns
tdrIOCS16(ADR)	<b>IOCS16#</b> Delay Rising from Address		35	ns

The maximum load on **IOCS16#** are 1 LSTTL with 50 pF total load.

**IDE ATA I/O WRITE (OUTPUT) TIMING**

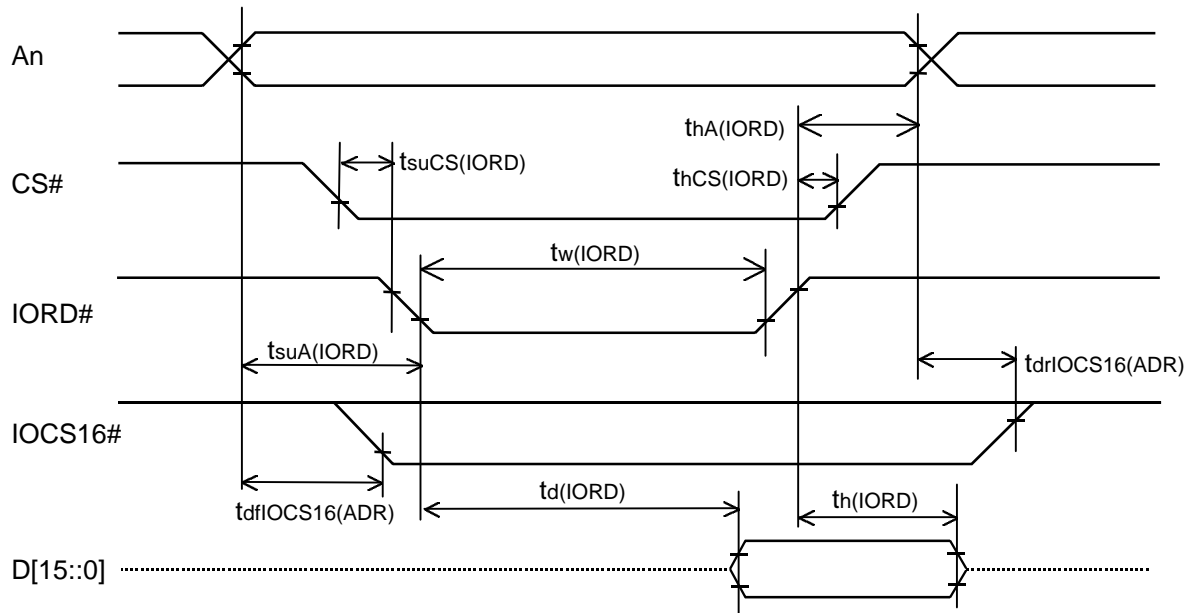
Symbol	Parameter	Limit		Unit
		Min	Max	
tsu(IOWR)	Data Setup before <b>IOWR#</b>	20		ns
th(IOWR)	Data Hold following <b>IOWR#</b>	10		ns
tw(IOWR)	<b>IOWR#</b> Width Time	70		ns
tsuA(IOWR)	Address Setup before <b>IOWR#</b>	25		ns
thA(IOWR)	Address Hold following <b>IOWR#</b>	10		ns
tsuCS(IOWR)	<b>CS#</b> Setup before <b>IOWR#</b>	5		ns
thCS(IOWR)	<b>CS#</b> Hold following <b>IOWR#</b>	10		ns
tdfIOCS16(ADR)	<b>IOCS16#</b> Delay Falling from Address		35	ns
tdrIOCS16(ADR)	<b>IOCS16#</b> Delay Rising from Address		35	ns

The maximum load on **IOCS16#** are 1 LSTTL with 50 pF total load.

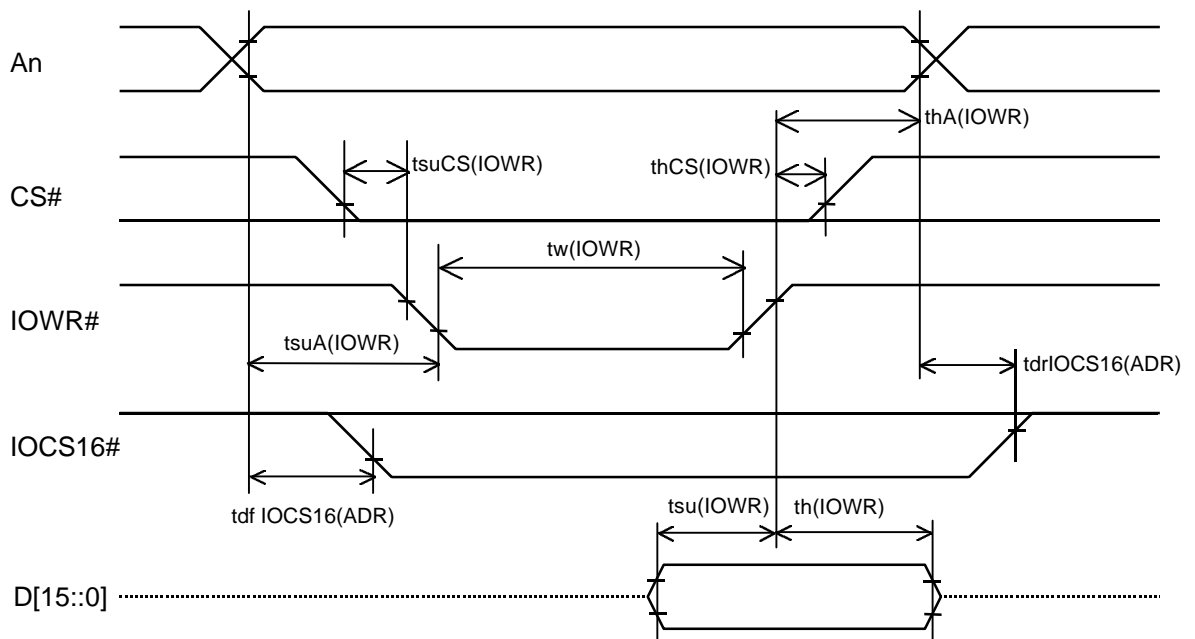
Preliminary

MF0XXXX-11ATXX series  
ATA PC CARDS

**IDE ATA I/O READ (INPUT) TIMING DIAGRAM**



**IDE ATA I/O WRITE (OUTPUT) TIMING DIAGRAM**



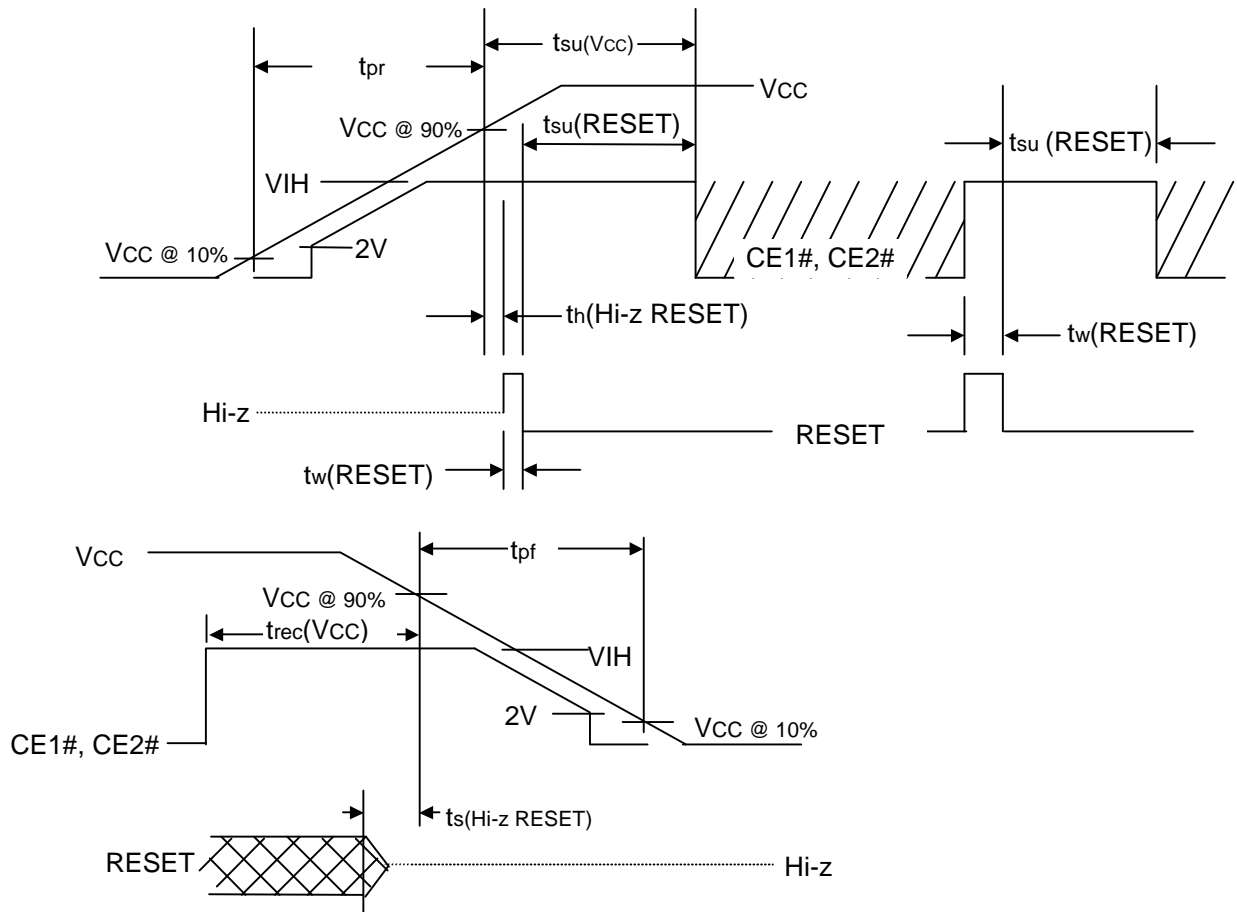
Preliminary

MFOXXXX-11ATXX series  
ATA PC CARDS

**RECOMMENDED POWER UP/DOWN CONDITIONS** (Ta=0~70°C, unless otherwise noted)

Symbol	Parameter	Conditions	Limits			Unit
			Min.	Typ.	Max.	
Vi(CE)	CE input voltage	$0V \leq VCC < 2V$	0		VCC	V
		$2V \leq VCC < V_{IH}$	VCC-0.1	VCC	VCC+0.1	V
		$V_{IH} \leq VCC$	V <sub>IH</sub>		VCC+0.1	V
tsu(Vcc)	CE setup time		20			ms
tsu(RESET)	RESET setup time		20			ms
trec(Vcc)	CE recover time		1			μs
tpr	Vcc rising time	10%→90% of Vcc	0.1		100	ms
tpf	VCC falling time	90% of Vcc→10%	3		300	ms
tw(RESET)	RESET width		10			μs
th(Hi-zRESET)			1			ms
ts(Hi-zRESET)			0			ms

**POWER UP/DOWN TIMING DIAGRAM**



**Keep safty first in your circuit designs!**

- Mitsubishi Electric Corporation puts the maximum effort into making semiconductor products better and more reliable, but there is always the possibility that trouble may occur with them. Trouble with semiconductors may lead to personal injury, fire or property damage. Remember to give due consideration to safety when making your circuit designs, with appropriate measures such as (i) placement of substitutive, auxiliary circuits, (ii) use of non-flammable material or (iii) prevention against any malfunction or mishap.

**Notes regarding these materials**

- These materials are intended as a reference to assist our customers in the selection of the Mitsubishi semiconductor product best suited to the customer's application; they do not convey any license under any intellectual property rights, or any other rights, belonging to Mitsubishi Electric Corporation or a third party.
- Mitsubishi Electric Corporation assumes no responsibility for any damage, or infringement of any third-party's rights, originating in the use of any product data, diagrams, charts, programs, algorithms, or circuit application examples contained in these materials.
- All information contained in these materials, including product data, diagrams, charts, programs and algorithms represents information on products at the time of publication of these materials, and are subject to change by Mitsubishi Electric Corporation without notice due to product improvements or other reasons. It is therefore recommended that customers contact Mitsubishi Electric Corporation or an authorized Mitsubishi Semiconductor product distributor for the latest product information before purchasing a product listed herein.  
The information described here may contain technical inaccuracies or typographical errors. Mitsubishi Electric Corporation assumes no responsibility for any damage, liability, or other loss rising from these inaccuracies or errors.  
Please also pay attention to information published by Mitsubishi Electric Corporation by various means, including the Mitsubishi Semiconductor home page (<http://www.mitsubishichips.com/>).
- When using any or all of the information contained in these materials, including product data, diagrams, charts, programs, and algorithms, please be sure to evaluate all information as a total system before making a final decision on the applicability of the information and products. Mitsubishi Electric Corporation assumes no responsibility for any damage, liability or other loss resulting from the information contained herein.
- Mitsubishi Electric Corporation semiconductors are not designed or manufactured for use in a device or system that is used under circumstances in which human life is potentially at stake. Please contact Mitsubishi Electric Corporation or an authorized Mitsubishi Semiconductor product distributor when considering the use of a product contained herein for any specific purposes, such as apparatus or systems for transportation, vehicular, medical, aerospace, nuclear, or undersea repeater use.
- The prior written approval of Mitsubishi Electric Corporation is necessary to reprint or reproduce in whole or in part these materials.
- If these products or technologies are subject to the Japanese export control restrictions, they must be exported under a license from the Japanese government and cannot be imported into a country other than the approved destination.  
Any diversion or reexport contrary to the export control laws and regulations of Japan and/or the country of destination is prohibited.
- Please contact Mitsubishi Electric Corporation or an authorized Mitsubishi Semiconductor product distributor for further details on these materials or the products contained therein.