

# MF1081V-2

FOR PCS MOBILE TELEPHONE, Rx

MF1081V-2

## DESCRIPTION

This SAW filter for the receiving RF circuit of PCS mobile communication equipment operating at 1930 MHz ~ 1990 MHz.

## FEATURES

1. SMD package insures small size, lightweight.
2. Adjustment free.
3. Low insertion loss and high stop band attenuation.
4. Wide and sharp passband characteristics.
5. High stability and reliability.
6. Designed for reflow solderings.

## APPLICATION

- Mobile cellular telephone
- Portable digital cellular telephone
- Wireless equipment

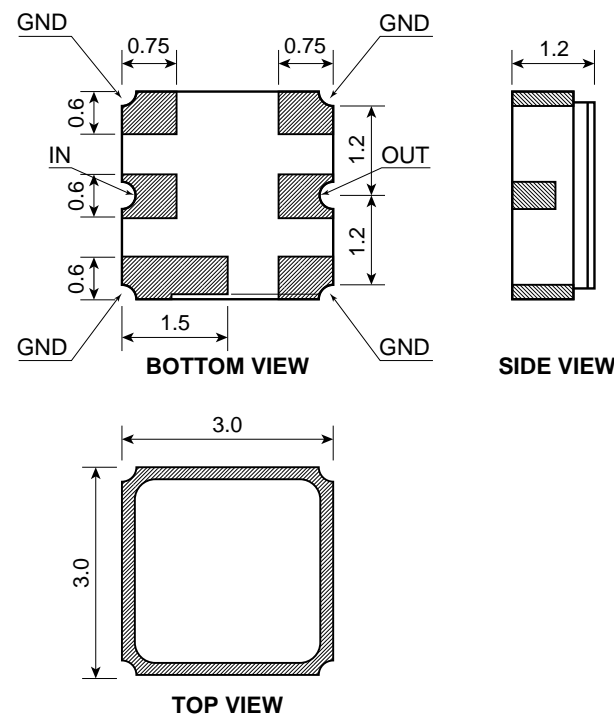
## MAXIMUM RATINGS

Rating	Value	Unit
Input Power	20	mW
Operating Temperature Range	-20 to 75	°C
Storage Temperature Range	-30 to 85	°C

## ELECTRICAL PERFORMANCE

Parameter	MF1081V-2			Units
	Min	Typ	Max	
PASSBAND FREQUENCY	1930 – 1990			MHz
PASSBAND CHARACTERISTICS	Insertion Loss	4.0	5.0	dB
	Ripple	2.1	3.0	dB
	VSWR	1.9	2.5	
STOPBAND ATTENUATION	0 – 1500 MHz	22	27	dB
	1500 – 1895 MHz	25	30	dB
	1895 – 1910 MHz	10	14	dB
	2010 – 2070 MHz	6	9	dB
	2070 – 3000 MHz	28	35	dB

## PACKAGE OUTLINE DIMENSIONS



Unit : mm

DIMENSIONS ARE IN MILLIMETERS  
±0.2 UNLESS OTHERWISE SPECIFIED

## MF1081V-2 TYPICAL CHARACTERISTICS

