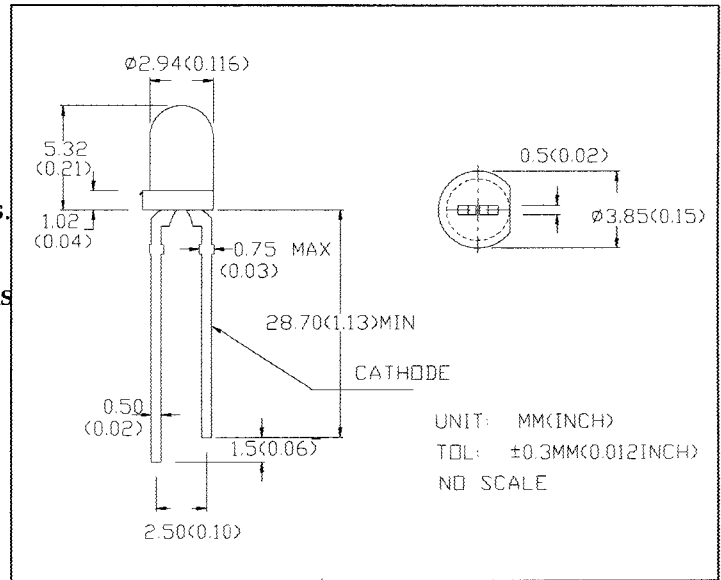


MICRO ELECTRONICS

MGC32D
MGC32TA
MGC32W
GREEN LED LAMPS

DESCRIPTION

MGC32 Series are green LED lamps with 3mm diameter epoxy package and long leads.
 MGC32C is green chip with green transparent lens.
 MGC32D is green chip with green diffused lens.
 MGC32TA is green chip with clear transparent lens.
 MGC32W is green chip with clear diffused lens.



ABSOLUTE MAXIMUM RATINGS

Power Dissipation @ Ta=25°C	100mW
Forward Current, DC (IF)	30mA
Reverse Voltage	5V
Operating & Storage Temperature Range	-55 to +100°C
Lead Soldering Temperature (1/16" from body)	260°C for 5 sec.

ELECTRO-OPTICAL CHARACTERISTICS (Ta=25°C)

PARAMETER	SYMBOL	MGC32C	MGC32D	MGC32TA	MGC32W	UNIT	CONDITIONS
Forward Voltage	MAX VF	3.0	3.0	3.0	3.0	V	IF=20mA
Reverse Breakdown Voltage	MIN BVR	5	5	5	5	V	IR=100μA
Luminous Intensity	MIN IV	100	25	100	25	mcd	IF=20mA
	TYP	150	40	150	40	mcd	
Peak Wavelength	TYP λp	570	570	570	570	nm	IF=20mA
Spectral Line Half Width	TYP Δλ	30	30	30	30	nm	IF=20mA
Viewing Angle	TYP 2θ 1/2	30	50	30	50	degree	IF=20mA



MICRO ELECTRONICS LTD.
 38, Hung To Road, Microtron Building, Kwun Tong, Kowloon, Hong Kong.
 Kwun Tong P.O. Box 69477 Hong Kong. Fax No. 2341 0321 Telex:43510 Micro Hx. Tel: 2343 0181-5

Nov-00