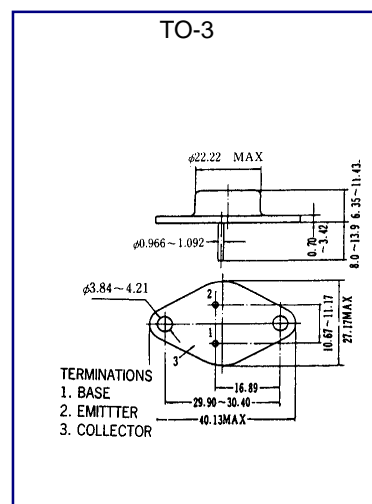




MJ10002

NPN SILICON TRANSISTOR

**SWITCHING REGULATORS PWM INVERTERS
SOLENOID AND RELAY DRIVERS**



ABSOLUTE MAXIMUM RATINGS (Ta=25°C)

Characteristic	Symbol	Rating	Unit
Collector-Base Voltage	VCBO	450	V
Collector-Emitter Voltage	VCEO	350	V
Collector Current (DC)	IC	10	A
Collector Dissipation (Tc=25°C)	PC	150	W
Junction Temperature	Tj	200	°C
Storage Temperature	Tstg	-50~150	°C

ELECTRICAL CHARACTERISTICS (Ta=25°C)

Characteristic	Symbol	Test Condition	Min	Typ	Max	Unit
Collector Cutoff Current	ICBO	VCB= 450V , IE=0			10	µA
Collector Cutoff Current	ICEO	VCB= 350V , IB=0			10	µA
DC Current Gain	hFE	VCE= 5V , IC=5A	30			
Collector- Emitter Saturation Voltage	VCE(sat)	IC=6A , IB=0.6A			2	V