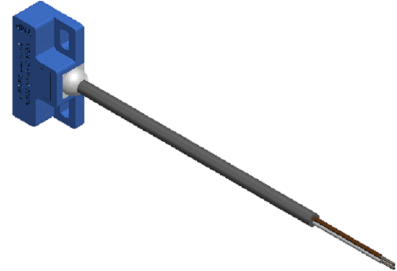
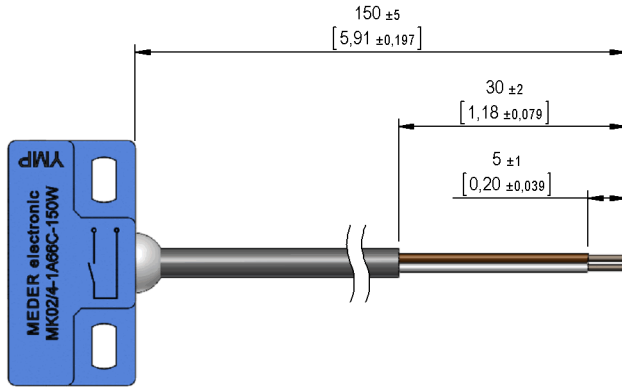


**Dimensions mm[inch]**  
 tolerances acc. to DIN ISO 2768-m  
 Toleranzen gem. DIN ISO 2768-m

**Isometric**  
 Scale 1:2  
 Maßstab 1:2



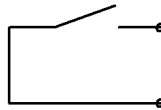
**Cable**

PVC LIYY 2x0,25qmm  
 colour of mantle: grey  
 colour of wires: white, brown  
 PVC LIYY 2x0,25qmm  
 Mantelfarbe: grau  
 Aderfarben: weiß, braun

**Terminals/Connector**

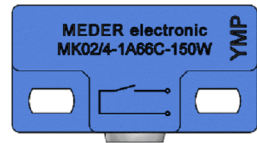
Ends tinned  
 Enden verzinkt

**Schematic**

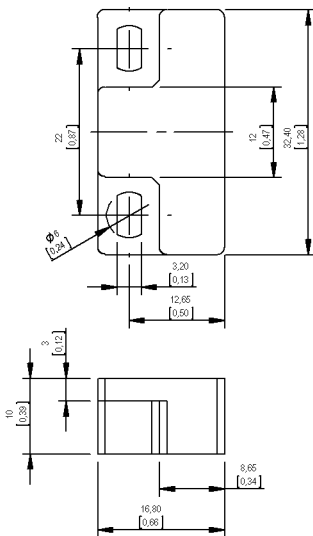


**Marking**

according to EN60062/factory code  
 gem. EN60062/Fertigungsstätte



**Housing**





Europe: +49 / 7731 8399 0 | Email: info@meder.com  
 USA: +1 / 508 295 0771 | Email: salesusa@meder.com  
 Asia: +852 / 2955 1682 | Email: salesasia@meder.com

Item No.:  
**2224713014**  
 Item:  
**MK02/4-1A66C-150W**  
**MK02/4-1A71C-150W**

*Products for tomorrow...*

| Magnetic properties | Conditions | Min    | Typ | Max | Unit |
|---------------------|------------|--------|-----|-----|------|
| Pull in             | at 20°C    | 46     |     | 83  | AT   |
| Test equipment      |            | KMS-11 |     |     |      |

| Special Product Data | Conditions                                                        | Min                        | Typ | Max  | Unit |
|----------------------|-------------------------------------------------------------------|----------------------------|-----|------|------|
| Contact - No.        |                                                                   | 66                         |     |      |      |
| Contact - form       |                                                                   | A - NO                     |     |      |      |
| Contact rating       | Any DC combination of V & A not to exceed their individual max.'s |                            |     | 10   | W    |
| operating voltage    | DC or Peak AC                                                     |                            |     | 180  | V    |
| operating ampere     | DC or Peak AC                                                     |                            |     | 1,25 | A    |
| Switching current    | DC or Peak AC                                                     |                            |     | 0,5  | A    |
| Sensor-resistance    | measured with 40% overdrive<br>Sensor deactivated                 |                            |     | 170  | mOhm |
| Housing material     |                                                                   | PBT glass fibre reinforced |     |      |      |
| Case color           |                                                                   | blue                       |     |      |      |
| Sealing compound     |                                                                   | Polyurethan                |     |      |      |

| Environmental data    | Conditions      | Min | Typ | Max | Unit |
|-----------------------|-----------------|-----|-----|-----|------|
| Operating temperature | cable not moved | -30 |     | 80  | °C   |
| Operating temperature | cable moved     | -5  |     | 80  | °C   |
| Storage temperature   |                 | -30 |     | 80  | °C   |

| Cable specification | Conditions | Min         | Typ | Max | Unit |
|---------------------|------------|-------------|-----|-----|------|
| Cable typ           |            | round cable |     |     |      |
| Cable material      |            | PVC         |     |     |      |
| Cross section       |            | 0,25 qmm    |     |     |      |

| General data      | Conditions                         | Min                                               | Typ | Max | Unit |
|-------------------|------------------------------------|---------------------------------------------------|-----|-----|------|
| Mounting advice   |                                    | from 5m cable, a pre-resistor is recommended.     |     |     |      |
| mounting advice 1 |                                    | Decreased switching distances by mounting on iron |     |     |      |
| mounting advice 2 |                                    | Don't use magnetically conductive screws          |     |     |      |
| tightening torque | Screw M3 ISO 1207<br>Disk ISO 7089 |                                                   |     | 0,5 | Nm   |

Modifications in the sense of technical progress are reserved

Designed at: 29.09.06    Designed by: KSCHIELENSKI    Approval at: 05.11.07    Approval by: BUELTZHOEFFER  
 Last Change at: 16.11.12    Last Change by: OMUELLER    Approval at: 16.11.12    Approval by: TFRITSCHI    Version: 04