

ML7022-01**Single Rail Dual Channel PCM CODEC****GENERAL DESCRIPTION**

The ML7022 is a two-channel single-rail CODEC CMOS IC for voice signals ranging from 300 to 3400Hz. This device contains two-channel analog-to-digital (A/D) and digital-to-analog (D/A) converters on a single chip. The ML7022 is designed especially for a single power supply and low power applications and achieves a reduced footprint.

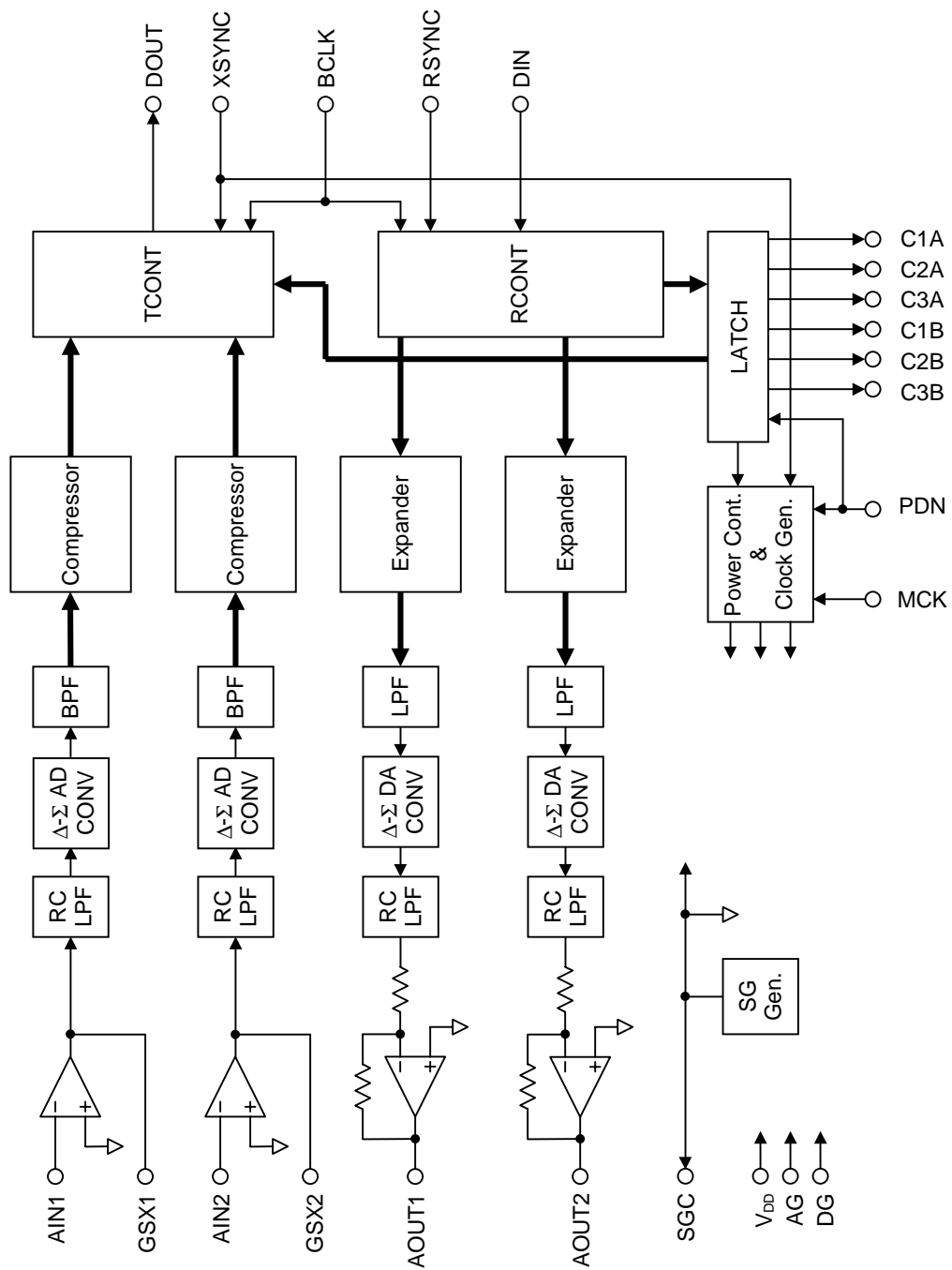
The ML7022 is best suited for line card applications with easy interface to subscriber line interface circuits (SLICs). The SLIC interface latches are embedded onto this CODEC, thus eliminating the need for external components and optimizing board space.

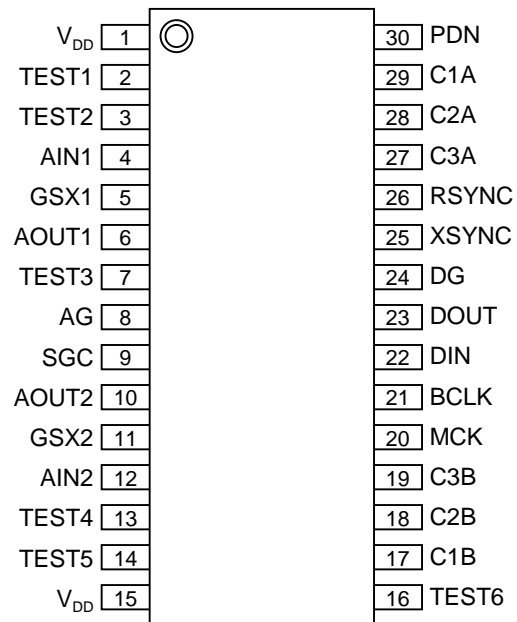
FEATURES

- Single 5 V Power Supply Operation
- Using Δ - Σ ADC and DAC Technique
- Low Power Consumption

2-Channel Operating Mode:	typical: 70 mW	max.: 90 mW
1-Channel Operating Mode:	typical: 40 mW	max.: 55 mW
Power Saving Mode: (CPD1 = CPD2 = "0")	typical: 9 mW	max.: 12.5 mW
Power Down Mode: (PDN = "0")	typical: 0.05 mW	max.: 0.25 mW
- ITU-T Companding Law - μ -law
- Built-in Dual 3-bit Latches with CMOS Drive Capability
- Serial PCM Interface
- Master Clock: 4.096 MHz
- Transmission Clocks:
256 to 4096 kbps
- Adjustable Transmit Gain
- Built-in Reference Voltage Supply
- Analog Output can Directly Drive a 600 Ω Line Transformer
- Latched Content Echo-back Function
- Package Type:
30-pin plastic SSOP (SSOP30-P-56-0.65-K) (Product name: ML7022-01MB)

BLOCK DIAGRAM



PIN CONFIGURATION (TOP VIEW)**30-Pin Plastic SSOP**

PIN DESCRIPTIONS

Pin	Symbol	Type	Description
1	V _{DD}	—	Power Supply *
2	TEST1	I	Device Test Pin 1
3	TEST2	I	Device Test Pin 2
4	AIN1	I	Channel-1 Transmit Op-amp Input
5	GSX1	O	Channel-1 Transmit Op-amp Output
6	AOUT1	O	Channel-1 Receive Output
7	TEST3	I	Device Test Pin 3
8	AG	—	Analog Ground
9	SGC	O	Signal Ground
10	AOUT2	O	Channel-2 Receive Output
11	GSX2	O	Channel-2 Transmit Op-amp Output
12	AIN2	I	Channel-2 Transmit Op-amp Input
13	TEST4	I	Device Test Pin 4
14	TEST5	I	Device Test Pin 5
15	V _{DD}	—	Power Supply *
16	TEST6	I	Device Test Pin 6
17	C1B	O	C1B Bit Latched Output
18	C2B	O	C2B Bit Latched Output
19	C3B	O	C3B Bit Latched Output
20	MCK	I	Master Clock (4.096 MHz)
21	BCLK	I	Shift Clock for the DIN and DOUT
22	DIN	I	Data Input
23	DOUT	O	Data Output
24	DG	—	Digital Ground
25	XSYNC	I	Transmit Synchronizing Signal
26	RSYNC	I	Receive Synchronizing Signal
27	C3A	O	C3A Bit Latched Output
28	C2A	O	C2A Bit Latched Output
29	C1A	O	C1A Bit Latched Output
30	PDN	I	Power Down Control

* V_{DD} of pin 1 and V_{DD} of pin 15 are connected internally, but these pins must be connected on the printed circuit board.

ABSOLUTE MAXIMUM RATINGS

Parameter	Symbol	Condition	Rating	Unit
Power Supply Voltage	V_{DD}	—	-0.3 to +7.0	V
Analog Input Voltage	V_{AIN}	—	-0.3 to $V_{DD}+0.3$	V
Digital Input Voltage	V_{DIN}	—	-0.3 to $V_{DD}+0.3$	V
Storage Temperature	T_{STG}	—	-55 to +150	°C

RECOMMENDED OPERATING CONDITIONS

Parameter	Symbol	Condition	Min.	Typ.	Max.	Unit
Power Supply Voltage	V_{DD}	Voltage must be fixed	4.75	5.0	5.25	V
Operating Temperature	T_{OP}	—	-40	—	+85	°C
Analog Input Voltage	V_{AIN}	Gain = 1	—	—	3.4	V_{PP}
High Level Input Voltage	V_{IH}	All Digital Input Pins	2.2	—	V_{DD}	V
Low Level Input Voltage	V_{IL}		0	—	0.8	V
MCK Frequency	F_{MCK}	MCK	-0.01%	4096	+0.01%	kHz
BCLK Frequency	F_{BCLK}	BCLK	256	—	4096	kHz
Sync Pulse Frequency	F_{SYNC}	XSYNC, RSYNC	—	8	—	kHz
Clock Duty Ratio	D_{CLK}	MCK, BCLK	40	50	60	%
Digital Input Rise Time	T_{IR}	All Digital Input Pins	—	—	50	ns
Digital Input Fall Time	T_{IF}		—	—	50	ns
MCK to BCLK Phase Difference	T_{MB}	MCK, BCLK	—	—	50	ns
Transmit Sync Pulse Setting Time	T_{XS}	BCLK to XSYNC	50	—	—	ns
	T_{SX}	XSYNC to BCLK	50	—	—	ns
Receive Sync Pulse Setting Time	T_{RS}	BCLK to RSYNC	50	—	—	ns
	T_{SR}	RSYNC to BCLK	50	—	—	ns
Sync Pulse Width	T_{WS}	XSYNC, RSYNC	1 BCLK	—	100	μs
DIN Set-up Time	T_{DS}	DIN	50	—	—	ns
DIN Hold Time	T_{DH}	DIN	50	—	—	ns
Digital Output Load	R_{DL}	Pull-up Resistor, DOUT	0.5	—	—	kΩ
	C_{DL}	DOUT	—	—	50	pF
		C1A, C2A, C3A, C1B, C2B, C3B	—	—	50	pF
Bypass Capacitor for SGC	C_{SG}	SG to AG	0.1	—	—	μF

ELECTRICAL CHARACTERISTICS

DC and Digital Interface Characteristics

(V_{DD} = 4.75 to 5.25 V, Ta = -40 to +85°C)

Parameter	Symbol	Condition	Min.	Typ.	Max.	Unit
Power Supply Current	I _{DD1}	2CH Operating Mode, No Signal PDN = "1", CPD1 = CPD2 = "1"	—	14.0	18.0	mA
	I _{DD2}	1CH Operating Mode, No Signal PDN = "1", CPD1 = "1", CPD2 = "0" or PDN = "1", CPD1 = "0", CPD2 = "1"	—	8.0	11.0	mA
	I _{DD3}	Power Saving Mode, PDN = "1", CPD1 = CPD2 = "0"	—	1.8	2.5	mA
	I _{DD4}	Power Down Mode, PDN = "0"	—	0.01	0.05	mA
High Level Input Leakage Current	I _{IH}	All Digital Input Pins V _I = V _{DD}	—	—	2.0	μA
Low Level Input Leakage Current	I _{IL}	All Digital Input Pins V _I = 0 V	—	—	0.5	μA
Digital Output Low Voltage	V _{OL}	DOUT, Pull-up = 0.5 kΩ	0	0.2	0.4	V
		C1A, C2A, C3A, C1B, C2B, C3B I _{OL} = 0.4 mA	0	0.2	0.4	V
Digital Output High Voltage	V _{OH}	C1A, C2A, C3A, C1B, C2B, C3B I _{OH} = 0.4 mA	2.5	—	—	V
		C1A, C2A, C3A, C1B, C2B, C3B I _{OH} = 50 μA	V _{DD} -0.5	—	—	V
Digital Output Leakage Current	I _O	DOUT High Impedance State	—	—	10	μA
Input Capacitance	C _{IN}	—	—	5	—	pF

Analog Interface Characteristics

(V_{DD} = 4.75 to 5.25 V, Ta = -40 to +85°C)

Parameter	Symbol	Condition	Min.	Typ.	Max.	Unit
SGC Rise Time	T _{SGC}	SG to AG 0.1 μF Rise time to 90% of max. level	—	—	10	ms

Transmit Analog Interface Characteristics

(V_{DD} = 4.75 to 5.25 V, Ta = -40 to +85°C)

Parameter	Symbol	Condition	Min.	Typ.	Max.	Unit
Input Resistance	R _{INX}	AIN1, AIN2	10	—	—	MΩ
Output Load Resistance	R _{LGX}	GSX1, GSX2 with respect to SG *1	20	—	—	kΩ
Output Load Capacitance	C _{LGX}		—	—	30	pF
Output Amplitude	V _{OGX}		-1.13	—	1.13	V
Offset Voltage	V _{OSGX}		Gain = 1	-20	—	20

*1 0.27 dBm (600Ω) = 3.17 dBm0 (μ-law) = 2.26 V_{pp}

Receive Analog Interface Characteristics

 $(V_{DD} = 4.75 \text{ to } 5.25 \text{ V, } T_a = -40 \text{ to } +85^\circ\text{C})$

Parameter	Symbol	Condition	Min.	Typ.	Max.	Unit
Output Load Resistance	R_{LAO}	AOUT1, AOUT2 (each) with respect to SG	0.6	—	—	k Ω
Output Load Capacitance	C_{LAO}	AOUT1, AOUT2	—	—	50	pF
Output Amplitude	V_{OAO}	AOUT1, AOUT2, $R_{LAO} = 0.6 \text{ k}\Omega$ with respect to SG	-1.7	—	1.7	V
Offset Voltage	V_{OSAO}	AOUT1, AOUT2 with respect to SG	-100	—	100	mV

AC Characteristics

 $(V_{DD} = 4.75 \text{ to } 5.25 \text{ V, } T_a = -40 \text{ to } +85^\circ\text{C})$

Parameter	Symbol	Condition		Min.	Typ.	Max.	Unit	
		Freq. (Hz)	Level (dBm0)					
Transmit Frequency Response	Loss T1	60	0	GSXn to DOUT (Attenuation)	25	45	—	dB
	Loss T2	300			-0.15	0.15	0.20	
	Loss T3	1020			Reference			
	Loss T4	3000			-0.15	0.02	0.20	
	Loss T5	3300			-0.15	0.1	0.80	
	Loss T6	3400			0	0.6	0.80	
Receive Frequency Response	Loss R1	100	0	DIN to AOUTn (Attenuation)	-0.15	0.04	0.2	dB
	Loss R2	1020			Reference			
	Loss R3	3000			-0.15	0.07	0.2	
	Loss R4	3300			-0.15	0.2	0.8	
	Loss R5	3400			0	0.6	0.8	
Transmit Signal to Distortion Ratio	SDT1	1020	3	GSXn to DOUT *2	36	43	—	dB
	SDT2		0		36	40	—	
	SDT3		-30		36	38	—	
	SDT4		-40		30	32	—	
	SDT5		-45		25	29	—	
Receive Signal to Distortion Ratio	SDR1	1020	3	DIN to AOUTn *2	36	42	—	dB
	SDR2		0		36	39	—	
	SDR3		-30		36	39	—	
	SDR4		-40		30	33	—	
	SDR5		-45		25	30	—	
Transmit Gain Tracking	GTT1	1020	3	GSXn to DOUT	-0.2	0.02	0.2	dB
	GTT2		-10		Reference			
	GTT3		-40		-0.2	0.06	0.2	
	GTT4		-50		-0.6	0.4	0.6	
	GTT5		-55		-1.2	0.4	1.2	
Receive Gain Tracking	GTR1	1020	3	DIN to AOUTn	-0.2	0	0.2	dB
	GTR2		-10		Reference			
	GTR3		-40		-0.2	-0.02	0.2	
	GTR4		-50		-0.6	-0.1	0.6	
	GTR5		-55		-1.2	-0.2	1.2	
Idle Channel Noise	NIDLE _T	—	—	AInn = SG *2 AINn to DOUT	—	14	16	dBrc0
	NIDLE _R	—	—	DIN = 0 code *2 DIN to AOUTn	—	6	10	

*2 C-message Filter is used

AC Characteristics (Continued)

 $(V_{DD} = 4.75 \text{ to } 5.25 \text{ V}, T_a = -40 \text{ to } +85^\circ\text{C})$

Parameter	Symbol	Condition		Min.	Typ.	Max.	Unit	
		Freq. (Hz)	Level (dBm0)					
Absolute Level (Initial Difference)	AV_T	1020	0	GSXn to DOUT $V_{DD} = 5 \text{ V},$ $T_a = 25^\circ\text{C}$	0.535	0.555	0.574	Vrms
	AV_R			DIN to AOUTn $V_{DD} = 5 \text{ V},$ $T_a = 25^\circ\text{C}$	0.806	0.835	0.864	
Absolute level (Deviation of Temperature and power)	AV_{TT}	1020	0	$V_{DD} = 4.75 \text{ to } 5.25 \text{ V}$ $T_a = -40 \text{ to } 85^\circ\text{C}$	-0.3	—	0.3	dB
	AV_{RT}				-0.3	—	0.3	
Absolute Delay	T_D	1020	0	A to A Mode BCLK = 2048 kHz	—	0.58	0.6	ms
Transmit Group Delay	$T_{GD} T1$	500	0	*3	—	0.26	0.75	ms
	$T_{GD} T2$	600			—	0.16	0.35	
	$T_{GD} T3$	1000			—	0.02	0.125	
	$T_{GD} T4$	2600			—	0.05	0.125	
	$T_{GD} T5$	2800			—	0.07	0.75	
Receive Group Delay	$T_{GD} R1$	500	0	*3	—	0.00	0.75	ms
	$T_{GD} R2$	600			—	0.00	0.35	
	$T_{GD} R3$	1000			—	0.00	0.125	
	$T_{GD} R4$	2600			—	0.09	0.125	
	$T_{GD} R5$	2800			—	0.12	0.75	
Cross Talk Attenuation	CR_T	1020	0	Trans to Receive	75	83	—	dB
	CR_R			Receive to Trans	75	80	—	
	CR_{CH}			Channel to Channel	75	78	—	
Discrimination	DIS	4.6 to 72k	0	0 to 4 kHz	30	32	—	dB
Out of Band Spurious	OBS	300 to 3.4k	0	4.6 kHz to 1000 kHz	—	-37.5	-35	dB
Signal Frequency Distortion	SFD_T	1020	0	0 to 4 kHz	—	-50	-40	dBm0
	SFD_R				—	-48	-40	
Intermodulation Distortion	IMD_T	$f_a = 470$	-4	2 $f_a - f_b$	—	-50	-40	dBm0
	IMD_R	$f_b = 320$			—	-54	-40	
Power Supply Noise Rejection Ratio	PSR_{T1}	0 to 4k	100 mVrms	*4	40	44	—	dB
	PSR_{T2}	4 to 50k			50	55	—	
	PSR_{R1}	0 to 4k			40	45	—	
	PSR_{R2}	4 to 50k			50	56	—	
Digital Output Delay Time	T_{SD}	DOUT			20	—	100	ns
	T_{XD1}	Pull-up resistor = 0.5 k Ω			20	—	100	
	T_{XD2}	$C_L = 50 \text{ pF}$ and 1 LSTTL			20	—	100	
	T_{PDC}	C1A, C2A, C3A, C1B, C2B, C3B $C_L = 50 \text{ pF}$ and 1 LSTTL			20	—	1000	ns
DOUT Operation Delay Time	T_{DDO}	Time of operation start after power on			—	4	—	ms
AOUT Signal Output Delay Time	T_{DAO}	Time of base band signal output start after power on			—	4	—	ms

*3 Minimum value of the group delay distortion

*4 The measurement under idle channel noise

TIMING DIAGRAM

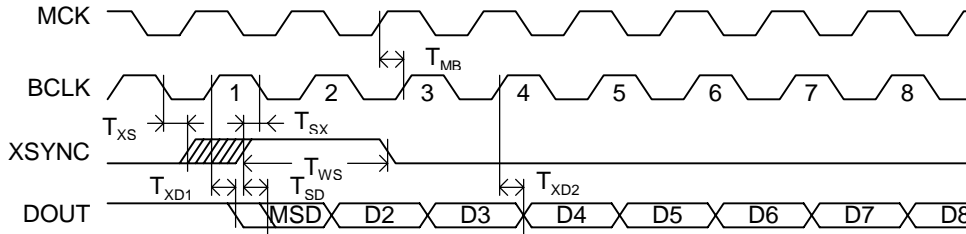


Figure 1 Transmit Side Timing Diagram

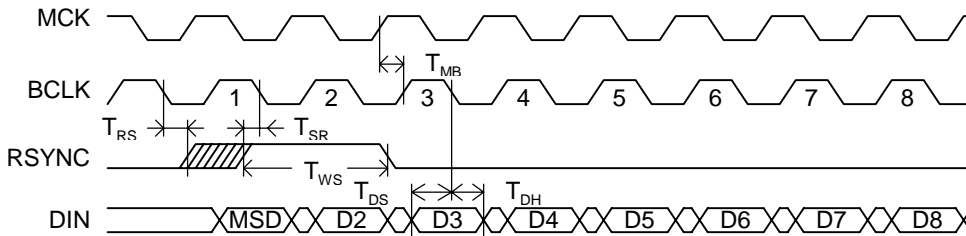


Figure 2 Receive Side Timing Diagram

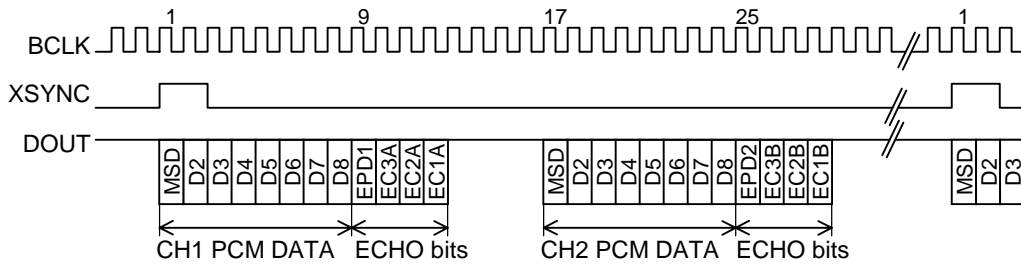


Figure 3 Transmit Side Bit Configuration

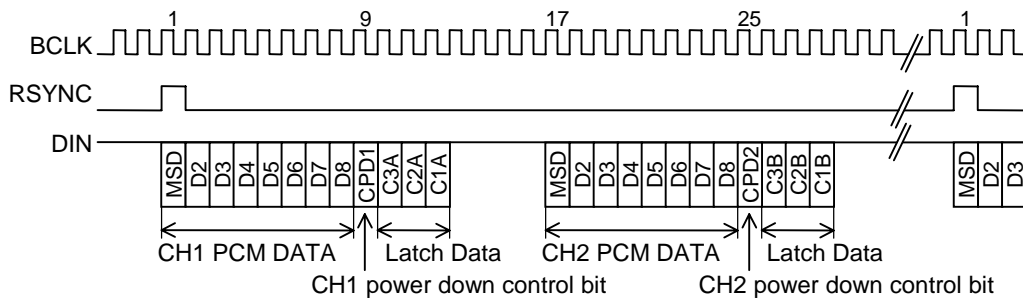


Figure 4 Receive Side Bit Configuration

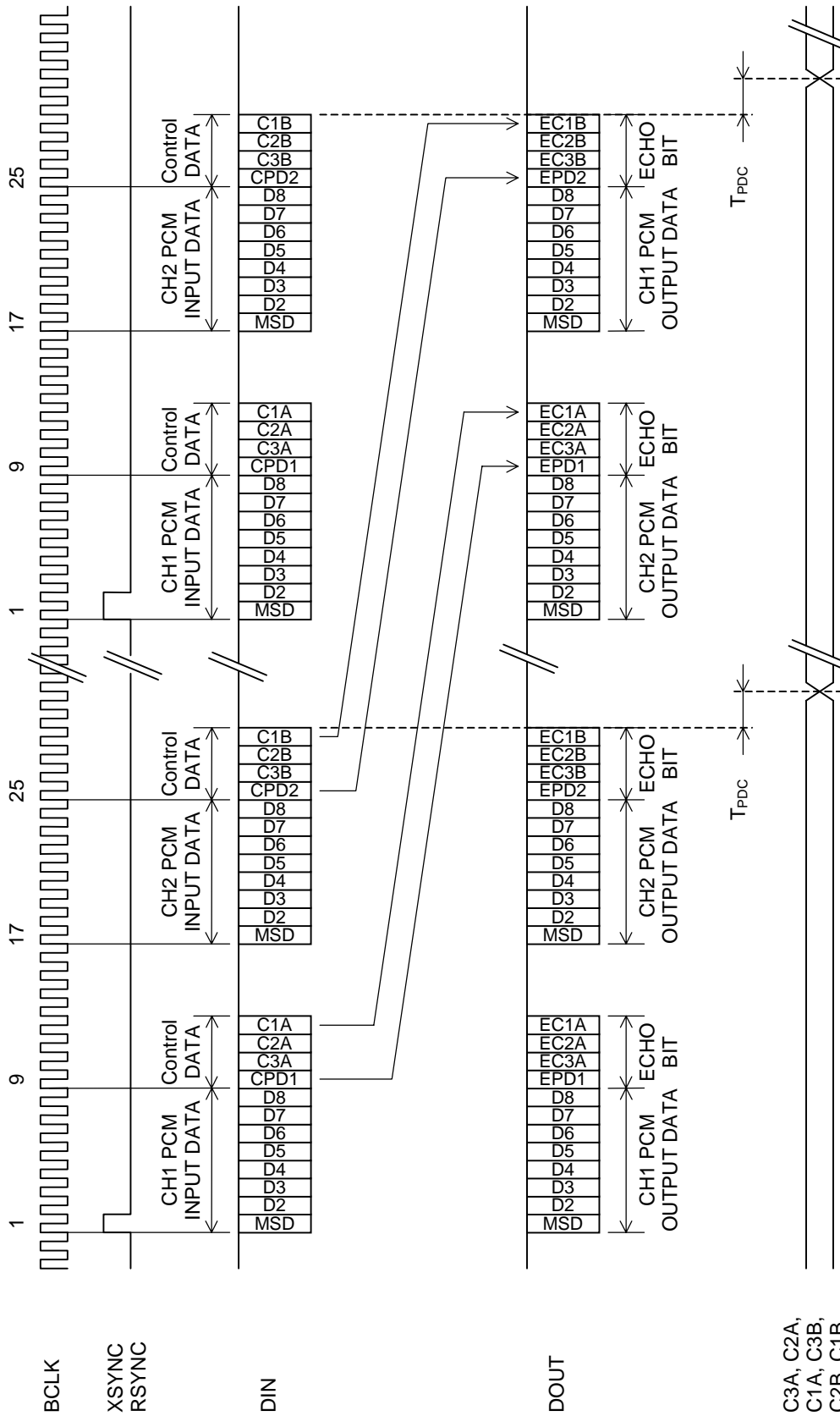


Figure 5 Control Bit Timing and Echo Back Timing

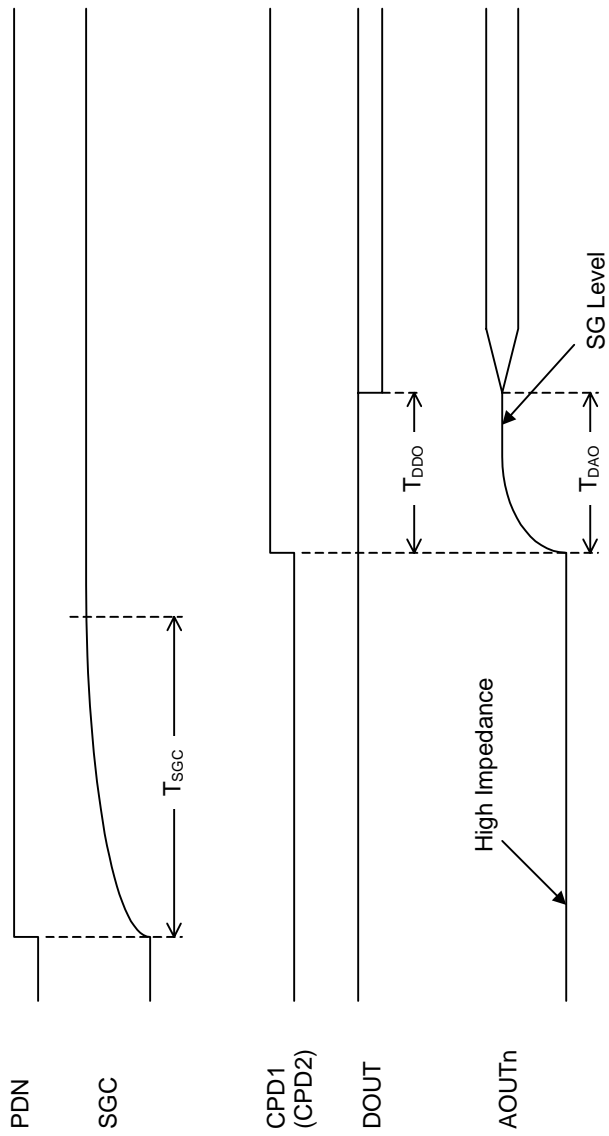


Figure 6 SGC, DOUT and AOUT Output Timing

FUNCTIONAL DESCRIPTION

Pin Functional Description

AIN1, AIN2, GSX1, GSX2

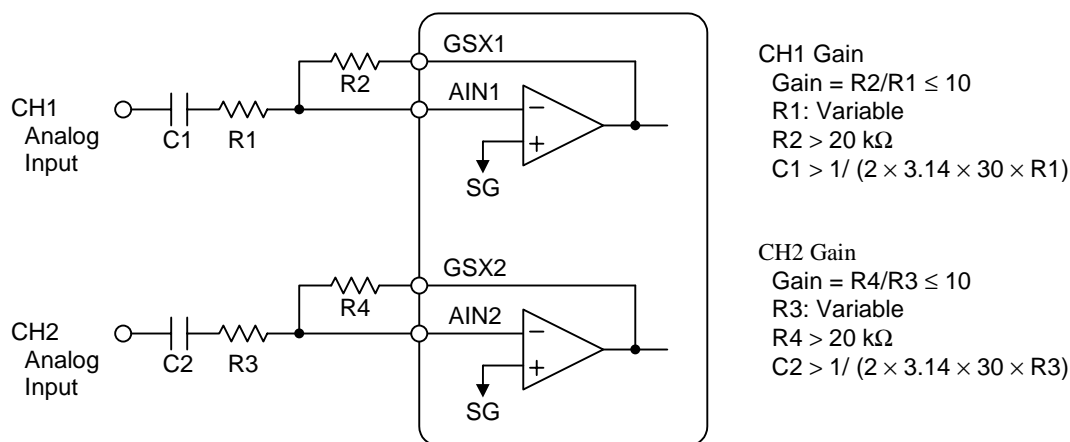
AIN1 and AIN2 are the transmit analog inputs for Channels 1 and 2.

GSX1 and GSX2 are the transmit level adjustments for Channels 1 and 2.

AIN1 and AIN2 are inverting inputs for the op-amp; GSX1 and GSX2 are connected to the output of the op-amp and are used to adjust the level, as shown below.

If AIN1 and AIN2 are not used, connect AIN1 to GSX1 and AIN2 to GSX2. During power saving and power down mode, the GSX1 and GSX2 outputs are at AG voltage.

In the case of the analog input 2.26 Vpp at GSX pin with digital output +3.17 dBm0 (μ -law).



AOUT1, AOUT2

AOUT1 is the receive analog output for Channel 1 and AOUT2 is used for Channel 2.

The output signal has an amplitude of 3.4Vpp above and below the signal ground voltage (SG). When the digital signal of +3.17 dBm0 is input to DIN, it can drive a load of 600 Ω or more.

During power saving or power down mode, these outputs are at a high impedance.

V_{DD}

Power supply for +5 V.

Connect a bypass capacitor of 0.1 μ F with excellent high frequency characteristics between this pin and the AG pin.

Although V_{DD} pin 1 and V_{DD} pin 15 are connected internally, these pins must be connected on the printed circuit board.

AG

Ground for the analog signal circuits.

DG

Ground for the digital signal circuits.

This ground is separate from the analog signal ground. The DG pin must be connected to the AG pin on the printed circuit board to make a common analog ground.

SGC

Used to generate the signal ground voltage level, by connecting a bypass capacitor. Connect a 0.1 μ F capacitor with excellent high frequency characteristics between the AG pin and the SGC pin.

During power down mode, this outputs are at the voltage level of AG with about 50 k Ω impedance.

MCK

Master clock input.

The frequency must be 4.096 MHz.

BCLK

Shift clock signal input for the DIN and DOUT signals.

The frequency, equal to the data rate, is 256 k to 4096 kHz. This signal must be synchronized in phase with the MCK (generated from the same clock source as MCK). Figure 1 shows the phase difference of MCK and BCLK.

RSYNC

Receive synchronizing signal input.

Signals in the receive section are synchronized by this synchronizing signal. This signal must be synchronized in phase with the MCK (generated from the same clock source as MCK).

XSYNC

Transmit synchronizing signal input.

The PCM output signal from the DOUT pin is output in synchronization with this transmit synchronizing signal.

This synchronizing signal synchronizes all timing signals of all section. This signal must be synchronized in phase with the MCK (generated from the same clock source as MCK).

DIN

DIN is a data input pin.

The voice band signal is converted to an analog signal in synchronization with the RSYNC signal and BCLK. The analog signal of channel 1 is output from AOUT1 pin and the analog signal of channel 2 is output from AOUT2 pin.

The 28 bit signal structure is shown in Figure 4. It consists of voice band PCM signals (8 bits each), the general-purpose latch signal (6 bits total), the power down control signal (1 bit per channel) and empty bits (4 bits). The signal is shifted at a falling edge of the BCLK signal and latched into the internal register when shifted by 28 bits. The start of the PCM data (Channel 1's MSD) is identified at the rising edge of RSYNC.

The general purpose latch signal (C3A, C2A, C1A, C3B, C2B, C1B) are output from six latch output pins.

When the CPD1 (bit of DIN) = "0", Channel 1 block is in a power down state. When the CPD2 (bit of DIN) = "0", Channel 2 block is in a power down state.

DOUT

DOUT is a data output pin.

The signal consist of a total of 28 bits containing the voice band PCM signals (each channel 8 bits), the echo bit (6 bits for latch signal and 2 bits for power down state indication), and empty bits (4 bits). The output cording format follows ITU-T recommendation on coding law.

The output signal is output from Channel 1's MSD bit in a sequential order, synchronizing with the rising edge of the BCLK signal. The first bit of DOUT may be output at the rising edge of the XSYNC signal, based on the timing between BCLK and XSYNC.

This pin is in a high impedance state during power down state.

A pull-up resistor must be connected to this pin because it is an open drain output.

Table 1 The Output Cording Format

INPUT/OUTPUT Level	PCMIN/PCMOUT							
	μ-law							
	MSD	D2	D3	D4	D5	D6	D7	D8
+ Full scale	1	0	0	0	0	0	0	0
+0	1	1	1	1	1	1	1	1
-0	0	1	1	1	1	1	1	1
- Full scale	0	0	0	0	0	0	0	0

C1A, C2A, C3A, C1B, C2B, C3B

General-purpose latched output signal.

C1A, C2A, C3A, C1B, C2B, C3B bits of DIN are latched using internal timing.

These outputs can drive a LSTTL/CMOS device without external resistor.

PDN

Power down control signal.

When PDN is at logic "0" level, both Channel 1 and Channel 2 circuits are in the power down state. Also, all internal latches are in initial state (logic "0" level).

TEST1, TEST2, TEST3, TEST4, TEST5, TEST6

These pins are used for device test.

These device test pin must be connected to the AG pin.

Table 2 Condition of DOUT by the Power Control

PDN	CPD1	CPD2	CH1 PCM Data	CH2 PCM Data	CH1 Echo Bit	CH2 Echo Bit
0	0/1	0/1	H	H	H	H
1	0	0	11111111	11111111	Latched Data	Latched Data
1	1	0	Operate	11111111		
1	0	1	11111111	Operate		
1	1	1	Operate	Operate		

Table 3 Condition of the Latched Output by the Power Control

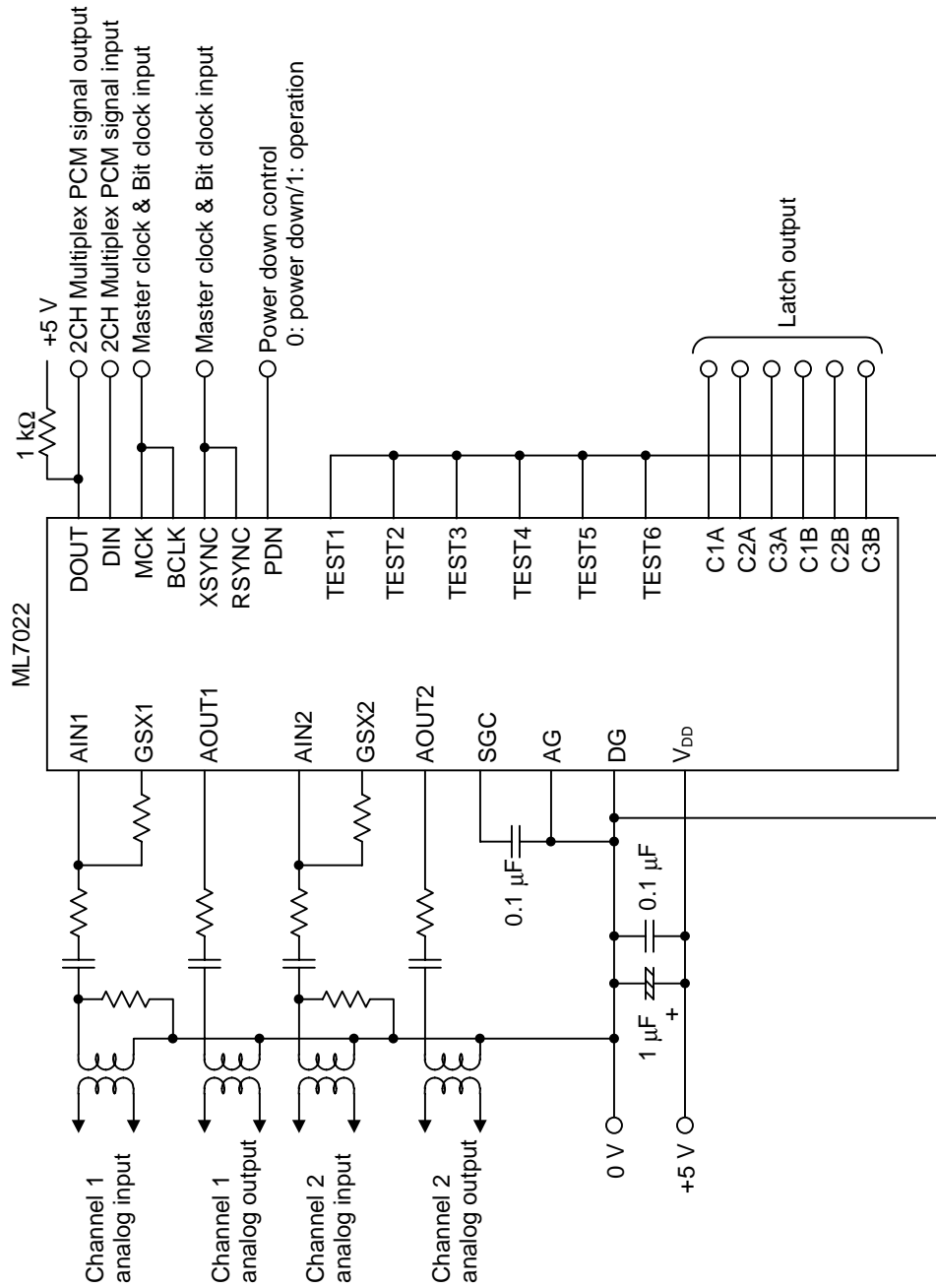
PDN	CPD1	CPD2	LIN	C1A, C2A, C3A	C1B, C2B, C3B
0	0/1	0/1	0	L	L
1	0/1	0/1		Latched Data	Latched Data
0/1	0/1	0/1	1	L	L

Table 4 Condition of the Analog Output by the Power Control

PDN	CPD1	CPD2	GSX1	GSX2	AOUT1	AOUT2	SGC
0	0/1	0/1	High Impedance	High Impedance	High Impedance	High Impedance	*5
1	0	0	High Impedance	High Impedance	High Impedance	High Impedance	Operate
1	1	0	Operate	High Impedance	Operate	High Impedance	Operate
1	0	1	High Impedance	Operate	High Impedance	Operate	Operate
1	1	1	Operate	Operate	Operate	Operate	Operate

*5 The voltage level of AG with about 50 kΩ

APPLICATION CIRCUITS

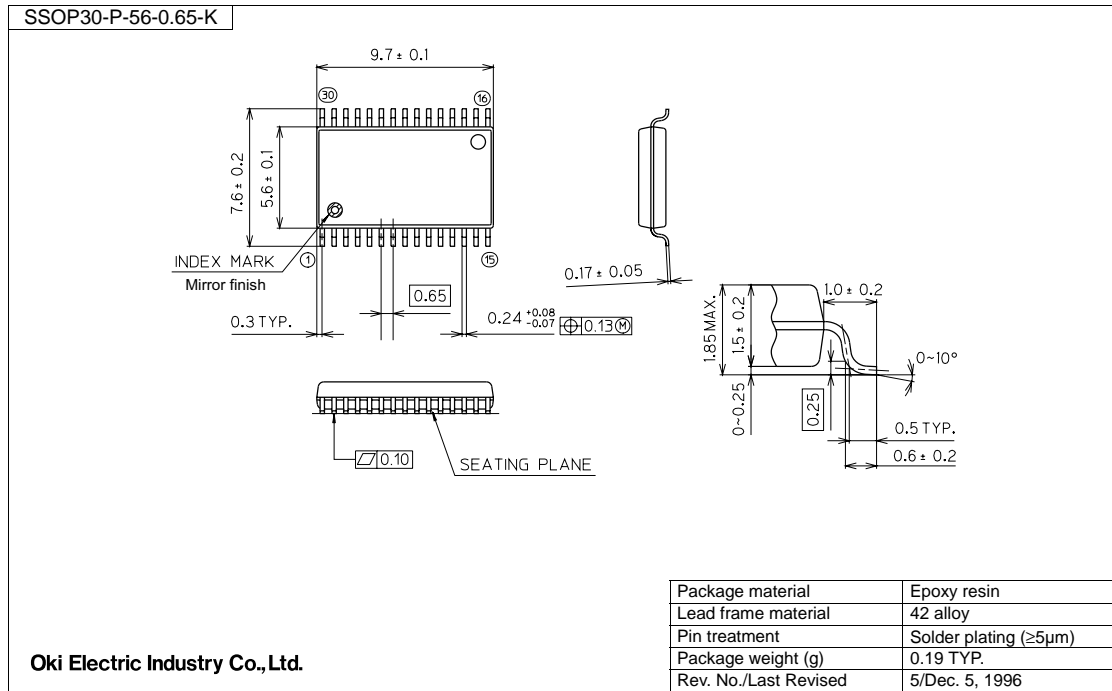


RECOMMENDATIONS FOR ACTUAL DESIGN

- To assure specified electrical characteristics, use bypass capacitors with excellent high frequency characteristics for the power supply and keep them as close as possible to the device pins.
- Connect the AG pin and DG pin each other as closely as possible. Connect to the system ground with low impedance.
- Unless unavoidable, use short lead type socket.
- When mounted on a frame, use electromagnetic shielding, if any electromagnetic emission sources such as power supply transformers surround the device.
- Keep the voltage on the V_{DD} pin not lower than -0.3 V even instantaneously to avoid latch-up phenomenon when turning the power on.
- Use a low noise power supply (having low level high frequency spike noise or pulse noise) to avoid erroneous operation and the degradation of the characteristics of these device.

PACKAGE DIMENSIONS

(Unit: mm)



Notes for Mounting the Surface Mount Type Package

The surface mount type packages are very susceptible to heat in reflow mounting and humidity absorbed in storage.

Therefore, before you perform reflow mounting, contact Oki's responsible sales person for the product name, package name, pin number, package code and desired mounting conditions (reflow method, temperature and times).

NOTICE

1. The information contained herein can change without notice owing to product and/or technical improvements. Before using the product, please make sure that the information being referred to is up-to-date.
2. The outline of action and examples for application circuits described herein have been chosen as an explanation for the standard action and performance of the product. When planning to use the product, please ensure that the external conditions are reflected in the actual circuit, assembly, and program designs.
3. When designing your product, please use our product below the specified maximum ratings and within the specified operating ranges including, but not limited to, operating voltage, power dissipation, and operating temperature.
4. Oki assumes no responsibility or liability whatsoever for any failure or unusual or unexpected operation resulting from misuse, neglect, improper installation, repair, alteration or accident, improper handling, or unusual physical or electrical stress including, but not limited to, exposure to parameters beyond the specified maximum ratings or operation outside the specified operating range.
5. Neither indemnity against nor license of a third party's industrial and intellectual property right, etc. is granted by us in connection with the use of the product and/or the information and drawings contained herein. No responsibility is assumed by us for any infringement of a third party's right which may result from the use thereof.
6. The products listed in this document are intended for use in general electronics equipment for commercial applications (e.g., office automation, communication equipment, measurement equipment, consumer electronics, etc.). These products are not authorized for use in any system or application that requires special or enhanced quality and reliability characteristics nor in any system or application where the failure of such system or application may result in the loss or damage of property, or death or injury to humans. Such applications include, but are not limited to, traffic and automotive equipment, safety devices, aerospace equipment, nuclear power control, medical equipment, and life-support systems.
7. Certain products in this document may need government approval before they can be exported to particular countries. The purchaser assumes the responsibility of determining the legality of export of these products and will take appropriate and necessary steps at their own expense for these.
8. No part of the contents contained herein may be reprinted or reproduced without our prior permission.

Copyright 2000 Oki Electric Industry Co., Ltd.