

Features and Benefits

- 0 -1.0 Bar Range
- Compact Design
- High Long Term Stability
- Low Cost

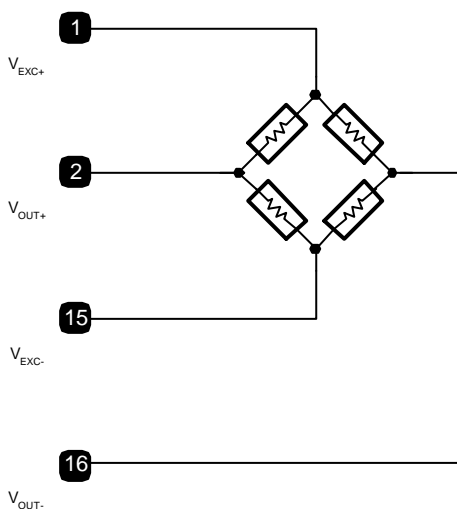
Applications

- Medical Instrumentation (Blood Pressure)
- Consumer Appliances
- Sports Equipment
- Pressure Difference and Flow monitoring

Ordering Information

Part No.	Temperature Suffix	Package	Temperature Range
MLX90210	C	CA	-0C to 70C Commercial
MLX90210	C	UD	-0C to 70C Commercial

Functional Diagram



Description

The MLX90210 is a discrete micromachined pressure sensor IC suitable for pressure ranges between 0 to 1.0 Bar. The pressure medium must be dry and non-corrosive, such as air.

The 90210 is packaged in a plastic/ceramic package, (CA) or can be ordered as unpackaged die (UD)

The principal of the circuit is a piezoresistive bridge which is realized in silicon through a special micromachine process. As pressure is applied to the bridge, a differential voltage change is seen across the V_{OUT} pins, while a bias voltage is applied to the V_{EXC} pins.

The MLX90210 is a versatile pressure sensor solution which can be directly interfaced with other Melexis ICs such as the MLX90308, which provides amplification, signal conditioning as well as the bias current to supply the sensor itself.

MLX90210 Electrical Specifications

DC Operating Parameters $T_A = 25^\circ\text{C}$, $V_{DD} = 5\text{V}$ (note 3), Pressure = 1.0 Bar full scale.

Parameter		Min	Typ	Max	Units
Excitation voltage		0	5	12	V
Zero Pressure Offset	V_{OFF}	-30	0	+30	mV
Sensitivity	S	14	22	30	mV/V/bar
TC of the Sensitivity (1)	TC_S	-0.17	-0.001	-0.26	$^\circ\text{C}^{-1}$
Bridge Resistance	R_{BR}	12	14	16	kOhm
Burst pressure				2	Bar
Operating Temp		0		70	$^\circ\text{C}$
Storage Temp (2)		-55		150	$^\circ\text{C}$

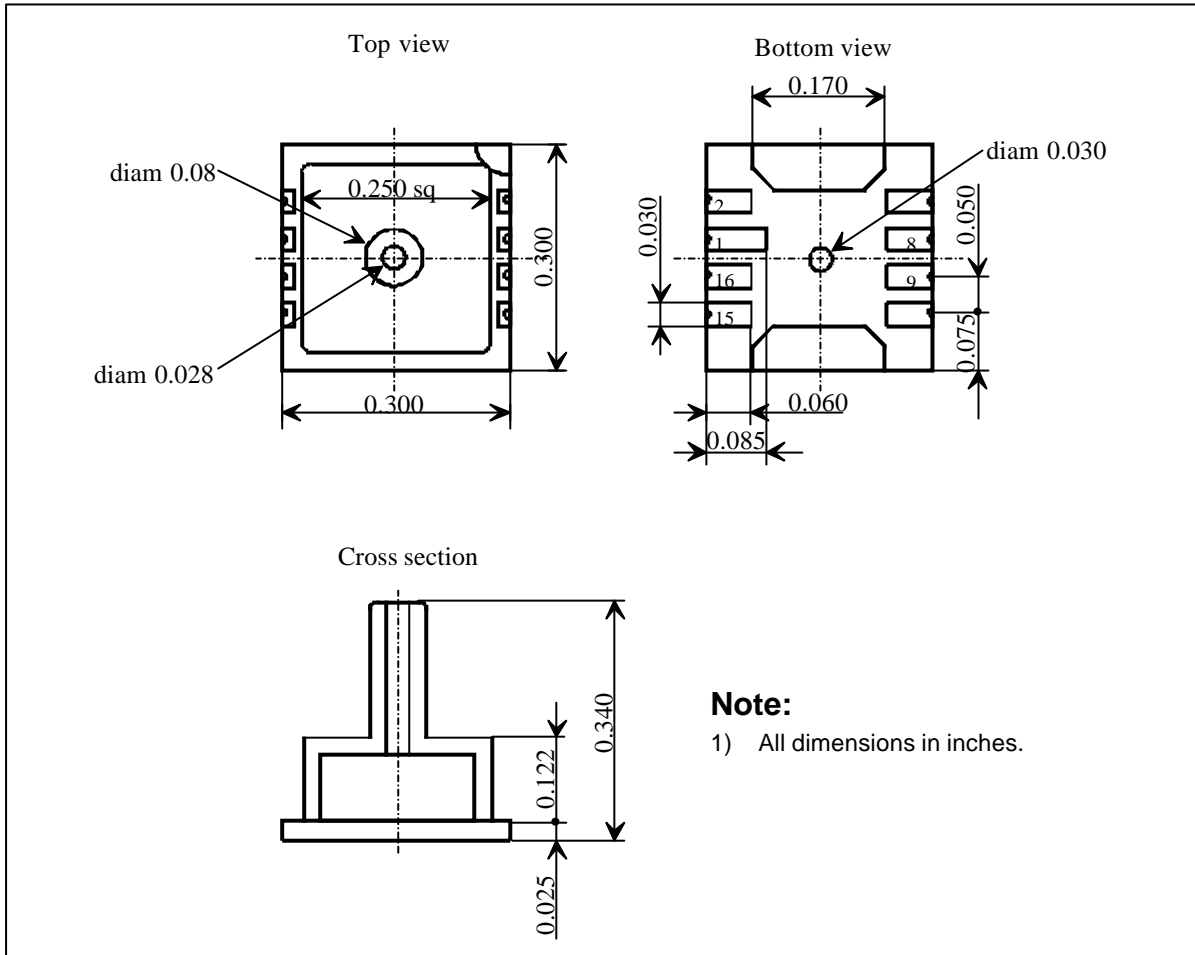
MLX90210 Mechanical Dimensions (4)

Membrane Size	0.81mm X 0.81mm
Chip Thickness	0.61mm
Chip Size	1.90mm X 1.90mm

Notes:

- 1) Temperature range refers to operation and deposit in an inert environment
- 2) Temperature range refers to operation and depos it in an inert environment
- 3) To prevent measurement errors, measure above 3V V_{DD} in impulse mode
- 4) Tolerance of 10% unless otherwise specified.

“CA” Package Dimensions



Note:

- 1) All dimensions in inches.

For the latest version of this document,
Go to our website at:
www.melexis.com
Or for additional information
contact Melexis Direct:

USA

Melexis Inc.
41 Locke Road, Concord, NH 03301
Phone: +1 603 223 2362 Fax: +1 603 223 9614
E-mail: sales_usa@melexis.com

United Kingdom

Silicon Concepts
PCB Lynchborough Road, Hampshire GU30 7SB, United Kingdom
Phone: +44 1428 751 617 Fax: +44 1428 751 603
E-mail: sales_uk@melexis.com

Germany

Am Seestern 8, 40547 Düsseldorf, Germany
Phone: +49 211 5360212 Fax: +49 211 5360250
E-mail: sales_de@melexis.com

France

Melexis France
Tour Arago, 5 rue Bellini, 92806 Puteaux-La-Défense, France.
Phone: +33 1 47 78 11 34 Fax: +33 1 47 78 06 35
E-mail: sales_france@melexis.com

Italy

Dimacred IRL
Via Papa Giovanni XXIII no. 25, 20046 Biassono, Italy
Phone: +39 039 249 4856 Fax: +39 039 491773
E-mail: sales_italy@melexis.com

Japan

Satori Electric Co., LTD
1-14-10 Shiba, Minato-Ku, Tokyo, Japan
Phone: +81 3 3452 7171 Fax: +81 3 3769 2197
E-mail: sales_japan@melexis.com

Taiwan

Beechwood Int'l Taiwan Co.
Room 8, 17F, No. 189, Taipei, Taiwan
Phone: +886 2 2739 3322 Fax: +886 2 2739 3090
E-mail: sales_taiwan@melexis.com