

### Features and Benefits

- 0 – 1.0 Bar Range
- Differential pressure sensor
- Compact Design
- High Long Term Stability
- Low Cost

### Applications

- Medical Instrumentation (Blood Pressure)
- Consumer Appliances
- Sports Equipment
- Pressure Difference and Flow Monitoring

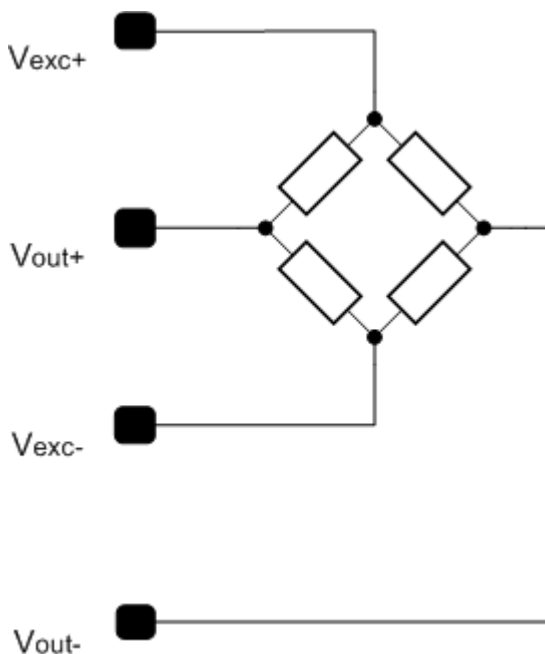
---

### Ordering Information

Part No.	Temperature Suffix	Package Code
MLX90210	C (-0C to 70C)	UF (Die on foil)

---

### Functional Diagram



### Description

The MLX90210 is a discrete micromachined Pressure sensor IC suitable for pressure ranges between 0 to 1.0 Bar. The pressure medium must be dry and non-corrosive, such as air.

The circuit is a piezoresistive bridge which is realized in silicon through a special micromachining process. As pressure is applied to the bridge, a differential voltage change is seen across the  $V_{out}$  pins, while a bias voltage is applied to the  $V_{exc}$  pins.

The MLX90210 is a versatile pressure sensor solution which can be directly interfaced with other Melexis ICs such as the MLX90308, which provides amplification, signal conditioning as well as the bias current to supply the sensor itself.

### MLX90210 Electrical Specifications

DC Operating Parameters  $T_A = 25^\circ\text{C}$ ,  $V_{DD} = 5\text{V}$  (note 3), Pressure = 1.0 Bar full scale.

Parameter	Symbol	Min	Typ	Max	Units
Excitation voltage		0	5	12	V
Zero Pressure Offset	$V_{OFF}$	-20	0	+20	mV
Sensitivity	S	15	30	45	mV/V/bar
TC of the Sensitivity	$TC_S$	-0.17	-0.21	-0.26	%/ $^\circ\text{C}$
Bridge Resistance	$R_{BR}$	360	400	450	Ohm
Burst Pressure				2	Bar
Operating Temp		0		70	$^\circ\text{C}$
Storage Temp (2)		-55		150	$^\circ\text{C}$

### MLX90210 Mechanical Dimensions (4)

Membrane Size	0.81mm x 0.81mm
Chip Thickness	0.61mm
Chip Size	1.90mm x 1.90mm

#### Notes:

- 1) Temperature range refers to operation and deposit in an inert environment
- 2) Temperature range refers to operation and deposit in an inert environment
- 3) To prevent measurement errors, measure above 3V  $V_{DD}$  in impulse mode
- 4) Tolerance of 10% unless otherwise specified.

## **Disclaimer**

Devices sold by Melexis are covered by the warranty and patent indemnification provisions appearing in its Term of Sale. Melexis makes no warranty, express, statutory, implied, or by description regarding the information set forth herein or regarding the freedom of the described devices from patent infringement. Melexis reserves the right to change specifications and prices at any time and without notice. Therefore, prior to designing this product into a system, it is necessary to check with Melexis for current information. This product is intended for use in normal commercial applications. Applications requiring extended temperature range, unusual environmental requirements, or high reliability applications, such as military, medical life-support or life-sustaining equipment are specifically not recommended without additional processing by Melexis for each application.

The information furnished by Melexis is believed to be correct and accurate. However, Melexis shall not be liable to recipient or any third party for any damages, including but not limited to personal injury, property damage, loss of profits, loss of use, interrupt of business or indirect, special incidental or consequential damages, of any kind, in connection with or arising out of the furnishing, performance or use of the technical data herein. No obligation or liability to recipient or any third party shall arise or flow out of Melexis' rendering of technical or other services.

© 2002 Melexis NV. All rights reserved.

For the latest version of this document, go to our website at:

[www.melexis.com](http://www.melexis.com)

Or for additional information contact Melexis Direct:

Europe and Japan:

Phone: +32 13 67 04 95  
E-mail: [sales\\_europe@melexis.com](mailto:sales_europe@melexis.com)

All other locations:

Phone: +1 603 223 2362  
E-mail: [sales\\_usa@melexis.com](mailto:sales_usa@melexis.com)

ISO/TS 16949 and ISO14001 Certified