

MM1Z4689 - MM1Z4717

V_Z : 5.1 to 43 V

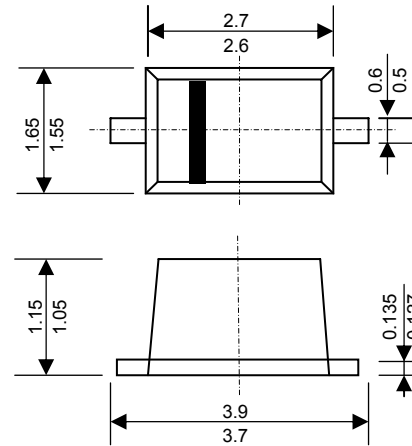
P_D : 500 mW

FEATURES :

- * Total Power Dissipation 500 mW
- * Wide Zener Reverse Voltage Range 5.1 V to 43 V
- * Package Designed for Optimal Automated Board Assembly
- * Small Package Size for High Density Applications
- * Pb / RoHS Free

ZENER DIODES

SOD-123



Dimensions in millimeters

MECHANICAL DATA :

- * Case : SOD-123
- * Weight : 0.01 gram (approximately)

Absolute Maximum Ratings (Ta = 25 °C)

Parameter	Symbol	Value	Unit
Total Power Dissipation	P_D	500	mW
Maximum Forward Voltage at $I_F = 10$ mA	V_F	0.9	V
Junction Temperature	T_J	150	°C
Storage Temperature Range	T_{STG}	-55 to + 150	°C

ELECTRICAL CHARACTERISTICS ($T_a = 25\text{ }^\circ\text{C}$)

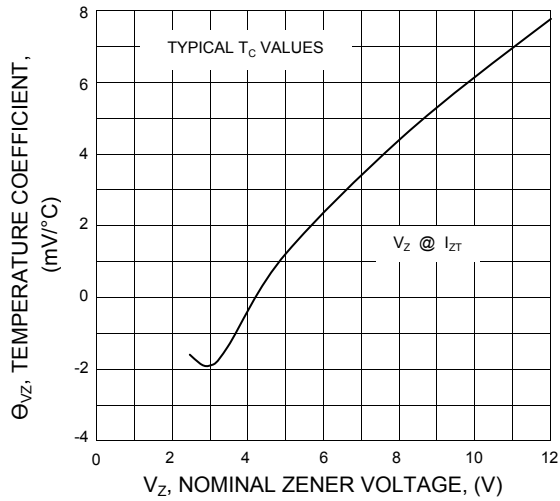
Type No.	Marking	Zener Voltage ⁽¹⁾			Test Current	Maximum Reverse Leakage Current	
		$V_Z @ I_{ZT}$ (V)				I_{ZT}	$I_R @ V_R$
		Min.	Nom.	Max.	(μA)	(μA)	(V)
MM1Z4689	BX	4.85	5.1	5.36	50	10	3.0
MM1Z4690	BY	5.32	5.6	5.88	50	10	4.0
MM1Z4691	BZ	5.89	6.2	6.51	50	10	5.0
MM1Z4692	CA	6.46	6.8	7.14	50	10	5.1
MM1Z4693	CB	7.13	7.5	7.88	50	10	5.7
MM1Z4694	CC	7.79	8.2	8.61	50	1.0	6.2
MM1Z4696	CE	8.65	9.1	9.56	50	1.0	6.9
MM1Z4697	CF	9.50	10	10.50	50	1.0	7.6
MM1Z4698	CH	10.45	11	11.50	50	0.05	8.4
MM1Z4699	CJ	11.40	12	12.60	50	0.05	9.1
MM1Z4700	CK	12.35	13	13.65	50	0.05	9.8
MM1Z4702	CN	14.25	15	15.75	50	0.05	11.4
MM1Z4703	CP	15.20	16	16.80	50	0.05	12.1
MM1Z4705	CX	17.10	18	18.90	50	0.05	13.6
MM1Z4707	CZ	19.00	20	21.00	50	0.01	15.2
MM1Z4708	DA	20.90	22	23.10	50	0.01	16.7
MM1Z4709	DB	22.80	24	25.20	50	0.01	18.2
MM1Z4711	DD	25.65	27	28.35	50	0.01	20.4
MM1Z4713	DF	28.50	30	31.50	50	0.01	22.8
MM1Z4714	DH	31.35	33	34.65	50	0.01	25.0
MM1Z4715	DJ	34.20	36	37.80	50	0.01	27.3
MM1Z4716	DK	37.05	39	40.95	50	0.01	29.6
MM1Z4717	DM	40.85	43	45.15	50	0.01	32.6

Notes :

(1) Tested with pulses $t_p = 20\text{ ms}$

RATING AND CHARACTERISTIC CURVES (MM1Z4689 - MM1Z4717)

**FIG.1 - TEMPERATURE COEFFICIENTS
(TEMPERATURE RANGE - 55 °C to +150 °C)**



**FIG.2 - TEMPERATURE COEFFICIENTS
(TEMPERATURE RANGE - 55 °C to +150 °C)**

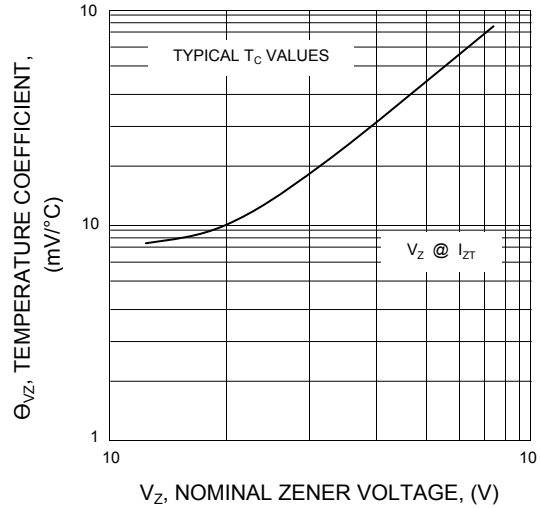


FIG.3 - TYPICAL FORWARD VOLTAGE

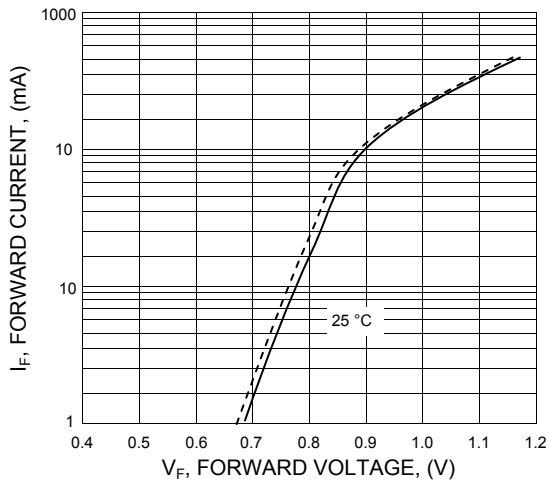


FIG.4 - MAXIMUM NON-REPETITIVE SURGE POWER

