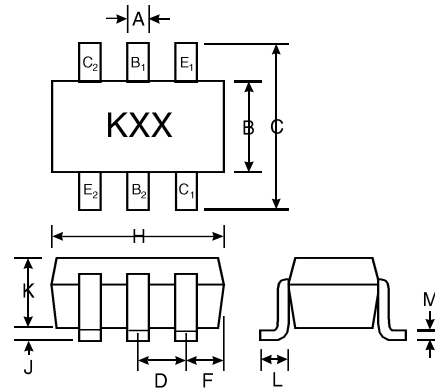


Features

Complementary Pair
 One 3904-Type NPN,
 One 3906-Type PNP
 Epitaxial Planar Die Construction
 Ideal for Low Power Amplification and
 Switching
 Ultra-Small Surface Mount Package

Mechanical Data

Case: SOT-363, Molded Plastic
 Terminals: Solderable per MIL-STD-202,
 Method 208
 Terminal Connections: See Diagram
 Marking: K46
 Weight: 0.006 grams (approx.)



E₁, B₁, C₁ = PNP3906 Section
 E₂, B₂, C₂ = NPN3904 Section

SOT-363		
Dim	Min	Max
A	0.10	0.30
B	1.15	1.35
C	2.00	2.20
D	0.65 Nominal	
F	0.30	0.40
H	1.80	2.20
J		0.10
K	0.90	1.00
L	0.25	0.40
M	0.10	0.25
All Dimensions in mm		

Maximum Ratings, NPN 3904 Section @ T_A = 25 C unless otherwise specified

Characteristic	Symbol		Unit
Collector-Base Voltage	V _{CB0}	60	V
Collector-Emitter Voltage	V _{CE0}	40	V
Emitter-Base Voltage	V _{EB0}	6.0	V
Collector Current - Continuous (Note 1)	I _C	200	mA
Power Dissipation (Note 1)	P _d	200	mW
Thermal Resistance, Junction to Ambient (Note 1)	R _{JA}	625	K/W

Maximum Ratings, PNP 3906 Section @ T_A = 25 C unless otherwise specified

Characteristic	Symbol	PNP 3906 Section	Unit
Collector-Base Voltage	V _{CB0}	-40	V
Collector-Emitter Voltage	V _{CE0}	-40	V
Emitter-Base Voltage	V _{EB0}	-5.0	V
Collector Current - Continuous (Note 1)	I _C	-200	mA
Power Dissipation (Note 1)	P _d	200	mW
Thermal Resistance, Junction to Ambient (Note 1)	R _{JA}	625	K/W

Notes: 1. Valid provided that terminals are kept at ambient temperature. Total device dissipation.

Electrical Characteristics, NPN 3904 Section

 @ $T_A = 25\text{ }^\circ\text{C}$ unless otherwise specified

Characteristic	Symbol	Min	Max	Unit	Test Condition
OFF CHARACTERISTICS (Note 1)					
Collector-Base Breakdown Voltage	$V_{(BR)CBO}$	60		V	$I_C = 10\text{ A}, I_E = 0$
Collector-Emitter Breakdown Voltage	$V_{(BR)CEO}$	40		V	$I_C = 1.0\text{mA}, I_B = 0$
Emitter-Base Breakdown Voltage	$V_{(BR)EBO}$	5.0	6.0	V	$I_E = 10\text{ A}, I_C = 0$
Collector Cutoff Current	I_{CEX}		50	nA	$V_{CE} = 30\text{V}, V_{EB(OFF)} = 3.0\text{V}$
Base Cutoff Current	I_{BL}		50	nA	$V_{CE} = 30\text{V}, V_{EB(OFF)} = 3.0\text{V}$
ON CHARACTERISTICS (Note 1)					
DC Current Gain	h_{FE}	40 70 100 60 30	300		$I_C = 100\mu\text{A}, V_{CE} = 1.0\text{V}$ $I_C = 1.0\text{mA}, V_{CE} = 1.0\text{V}$ $I_C = 10\text{mA}, V_{CE} = 1.0\text{V}$ $I_C = 50\text{mA}, V_{CE} = 1.0\text{V}$ $I_C = 100\text{mA}, V_{CE} = 1.0\text{V}$
Collector-Emitter Saturation Voltage	$V_{CE(SAT)}$		0.20 0.30	V	$I_C = 10\text{mA}, I_B = 1.0\text{mA}$ $I_C = 50\text{mA}, I_B = 5.0\text{mA}$
Base- Emitter Saturation Voltage	$V_{BE(SAT)}$	0.65	0.85 0.95	V	$I_C = 10\text{mA}, I_B = 1.0\text{mA}$ $I_C = 50\text{mA}, I_B = 5.0\text{mA}$
SMALL SIGNAL CHARACTERISTICS					
Output Capacitance	C_{obo}		4.0	pF	$V_{CB} = 5.0\text{V}, f = 1.0\text{MHz}, I_E = 0$
Input Capacitance	C_{ibo}		8.0	pF	$V_{EB} = 0.5\text{V}, f = 1.0\text{MHz}, I_C = 0$
Input Impedance	h_{ie}	1.0	10	k	$V_{CE} = 10\text{V}, I_C = 1.0\text{mA},$ $f = 1.0\text{kHz}$
Voltage Feedback Ratio	h_{re}	0.5	8.0	$\times 10^{-4}$	
Small Signal Current Gain	h_{fe}	100	400		
Output Admittance	h_{oe}	1.0	40	S	
Current Gain-Bandwidth Product	f_T	300		MHz	
Noise Figure	NF		5.0	dB	$V_{CE} = 5.0\text{V}, I_C = 100\text{ A},$ $R_S = 1.0\text{k } f = 1.0\text{kHz}$
SWITCHING CHARACTERISTICS					
Delay Time	t_d		35	ns	$V_{CC} = 3.0\text{V}, I_C = 10\text{mA},$ $V_{BE(off)} = -0.5\text{V}, I_{B1} = 1.0\text{mA}$
Rise Time	t_r		35	ns	
Storage Time	t_s		200	ns	$V_{CC} = 3.0\text{V}, I_C = 10\text{mA},$ $I_{B1} = I_{B2} = 1.0\text{mA}$
Fall Time	t_f		50	ns	

 Notes: 1. Pulse test: Pulse width 300 μs , duty cycle 2%.

Electrical Characteristics, PNP 3906 Section

 @ $T_A = 25\text{ C}$ unless otherwise specified

Characteristic	Symbol	Min	Max	Unit	Test Condition
OFF CHARACTERISTICS (Note 1)					
Collector-Base Breakdown Voltage	$V_{(BR)CBO}$	-40		V	$I_C = -10\text{ A}, I_E = 0$
Collector-Emitter Breakdown Voltage	$V_{(BR)CEO}$	-40		V	$I_C = -1.0\text{mA}, I_B = 0$
Emitter-Base Breakdown Voltage	$V_{(BR)EBO}$	-5.0		V	$I_E = -10\text{ A}, I_C = 0$
Collector Cutoff Current	I_{CEX}		-50	nA	$V_{CE} = -30\text{V}, V_{EB(OFF)} = -3.0\text{V}$
Base Cutoff Current	I_{BL}		-50	nA	$V_{CE} = -30\text{V}, V_{EB(OFF)} = -3.0\text{V}$
ON CHARACTERISTICS (Note 1)					
DC Current Gain	h_{FE}	60 80 100 60 30	300		$I_C = -100\mu\text{A}, V_{CE} = -1.0\text{V}$ $I_C = -1.0\text{mA}, V_{CE} = -1.0\text{V}$ $I_C = -10\text{mA}, V_{CE} = -1.0\text{V}$ $I_C = -50\text{mA}, V_{CE} = -1.0\text{V}$ $I_C = -100\text{mA}, V_{CE} = -1.0\text{V}$
Collector-Emitter Saturation Voltage	$V_{CE(SAT)}$		-0.25 -0.40	V	$I_C = -10\text{mA}, I_B = -1.0\text{mA}$ $I_C = -50\text{mA}, I_B = -5.0\text{mA}$
Base- Emitter Saturation Voltage	$V_{BE(SAT)}$	-0.65	-0.85 -0.95	V	$I_C = -10\text{mA}, I_B = -1.0\text{mA}$ $I_C = -50\text{mA}, I_B = -5.0\text{mA}$
SMALL SIGNAL CHARACTERISTICS					
Output Capacitance	C_{obo}		4.5	pF	$V_{CB} = -5.0\text{V}, f = 1.0\text{MHz}, I_E = 0$
Input Capacitance	C_{ibo}		10	pF	$V_{EB} = -0.5\text{V}, f = 1.0\text{MHz}, I_C = 0$
Input Impedance	h_{ie}	2.0	12	k	$V_{CE} = 10\text{V}, I_C = 1.0\text{mA},$ $f = 1.0\text{kHz}$
Voltage Feedback Ratio	h_{re}	0.1	10	$\times 10^{-4}$	
Small Signal Current Gain	h_{fe}	100	400		
Output Admittance	h_{oe}	3.0	60	S	
Current Gain-Bandwidth Product	f_T	250		MHz	
Noise Figure	NF		4.0	dB	$V_{CE} = -5.0\text{V}, I_C = -100\text{ A},$ $R_S = 1.0\text{k } f = 1.0\text{kHz}$
SWITCHING CHARACTERISTICS					
Delay Time	t_d		35	ns	$V_{CC} = -3.0\text{V}, I_C = -10\text{mA},$ $V_{BE(off)} = 0.5\text{V}, I_{B1} = -1.0\text{mA}$
Rise Time	t_r		35	ns	
Storage Time	t_s		225	ns	$V_{CC} = -3.0\text{V}, I_C = -10\text{mA},$ $I_{B1} = I_{B2} = -1.0\text{mA}$
Fall Time	t_f		75	ns	

 Note: 1. Pulse test: Pulse width 300 μ s, duty cycle 2%.