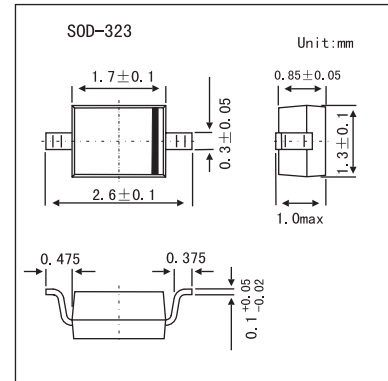


MMSZ5221BS - MMSZ5260BS

■ Features

- Ultra-Small Surface Mount Package
- Planar Die Construction
- General Purpose



■ Absolute Maximum Ratings (Ta = 25°C)

Parameter	Symbol	Rating	Unit
Power dissipation	P	200	mW
Thermal Resistance, Junction to Ambient Air	R _{θJA}	625	°C/W
Forward Voltage @ I _F = 10mA	V _F	0.9	V
Junction temperature	T _j	150	°C
Storage temperature	T _{stg}	-65 to +150	°C

MMSZ5221BS - MMSZ5260BS

■ Electrical Characteristics (Ta = 25°C)

Type	Zener voltage Vz (V)			Maximum Zener Impedance			Maximum Reverse Leakage Current		Marking
	Nom.	Min.	Max.	IzT (mA)	ZzT @ IzT (Ω)	Zzk @ Izk = 0.25mA (Ω)	IR (μA)	@ VR (V)	
MMSZ5221BS	2.4	2.28	2.52	20	30	1200	100	1	C1
MMSZ5223BS	2.7	2.57	2.84	20	30	1300	75	1	C3
MMSZ5225BS	3.0	2.85	3.15	20	30	1600	50	1	C5
MMSZ5226BS	3.3	3.14	3.47	20	28	1600	25	1	G1
MMSZ5227BS	3.6	3.42	3.78	20	24	1700	15	1	G2
MMSZ5228BS	3.9	3.71	4.10	20	23	1900	10	1	G3
MMSZ5229BS	4.3	4.09	4.52	20	22	2000	5	1	G4
MMSZ5230BS	4.7	4.47	4.94	20	19	1900	5	2	G5
MMSZ5231BS	5.1	4.85	5.36	20	17	1600	5	2	E1
MMSZ5232BS	5.6	5.32	5.88	20	11	1600	5	3	E2
MMSZ5233BS	6.0	5.70	6.30	20	7	1600	5	3.5	E3
MMSZ5234BS	6.2	5.89	6.51	20	7	1000	5	4	E4
MMSZ5235BS	6.8	6.46	7.14	20	5	750	3	5	E5
MMSZ5236BS	7.5	7.13	7.88	20	6	500	3	6	F1
MMSZ5237BS	8.2	7.79	8.61	20	8	500	3	6.5	F2
MMSZ5238BS	8.7	8.27	9.14	20	8	600	3	6.5	F3
MMSZ5239BS	9.1	8.65	9.56	20	10	600	3	7	F4
MMSZ5240BS	10	9.50	10.50	20	17	600	3	8	F5
MMSZ5241BS	11	10.45	11.55	20	22	600	2	8.4	H1
MMSZ5242BS	12	11.40	12.60	20	30	600	1	9.1	H2
MMSZ5243BS	13	12.35	13.65	9.5	13	600	0.5	9.9	H3
MMSZ5245BS	15	14.25	15.75	8.5	16	600	0.1	11	H5
MMSZ5246BS	16	15.20	16.80	7.8	17	600	0.1	12	J1
MMSZ5248BS	18	17.10	18.90	7.0	21	600	0.1	14	J3
MMSZ5250BS	20	19.00	21.00	6.2	25	600	0.1	15	J5
MMSZ5251BS	22	20.90	23.10	5.6	29	600	0.1	17	K1
MMSZ5252BS	24	22.80	25.20	5.2	33	600	0.1	18	K2
MMSZ5254BS	27	25.65	28.35	4.6	41	600	0.1	21	K4
MMSZ5255BS	28	26.60	29.40	4.5	44	600	0.1	21	K5
MMSZ5256BS	30	28.50	31.50	4.2	49	600	0.1	23	M1
MMSZ5257BS	33	31.35	34.65	3.8	58	700	0.1	25	M2
MMSZ5258BS	36	34.20	37.80	3.4	70	700	0.1	27	M3
MMSZ5259BS	39	37.05	40.95	3.2	80	800	0.1	30	M4
MMSZ5260BS	43	40.85	45.15	3.0	93	900	0.1	33	M5