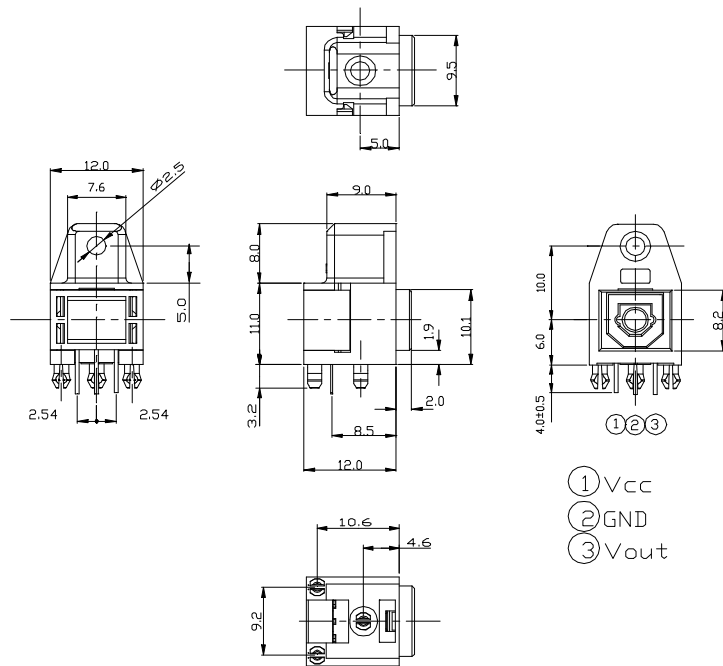


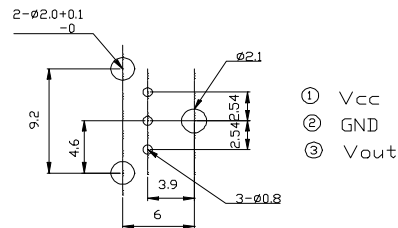
## Features

1. Uni-directional data transmission using plastic fiber
2. Signal transmission speed  
:MAX. 6 Mbps (NRZ signal)
3. Operating voltage :4.75 to 5.25 V
4. TTL compatible
5. Suitable for MOF-T3K2 Transmitter

## Outline Dimensions



Recommended drilling as viewd from the soldering face



## NOTES:

Tolerance is  $\pm 0.3\text{mm}$  unless otherwise noted.

## Absolute Maximum Ratings

@  $T_A=25^\circ\text{C}$

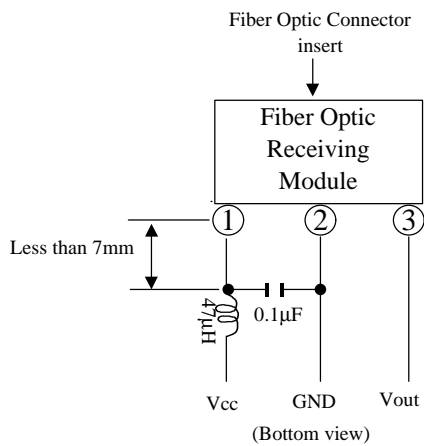
Parameter	Symbol	Rating	Unit
Supply voltage	$V_{cc}$	-0.5 to +7	V
High Level Output Current	$I_{OH}$	-1	mA
Low Level Output Current	$I_{OL}$	5	mA
Operating temperature	$T_{opr}$	-20 to +70	$^\circ\text{C}$
Storage temperature	$T_{stg}$	-30 to +80	$^\circ\text{C}$
Soldering Temperature	$T_{SOL}$	260*	$^\circ\text{C}$

\* For 5s (1 times or less)

## Recommended Operating Conditions

Parameter	Symbol	MIN.	TYP.	MAX.	Unit
Operating supply voltage	$V_{cc}$	4.75	5.0	5.25	V
Operating transfer rate	T	0.1	---	6	Mbps
receiver input optical power level	$P_c$	-22	---	-14.5	dBm

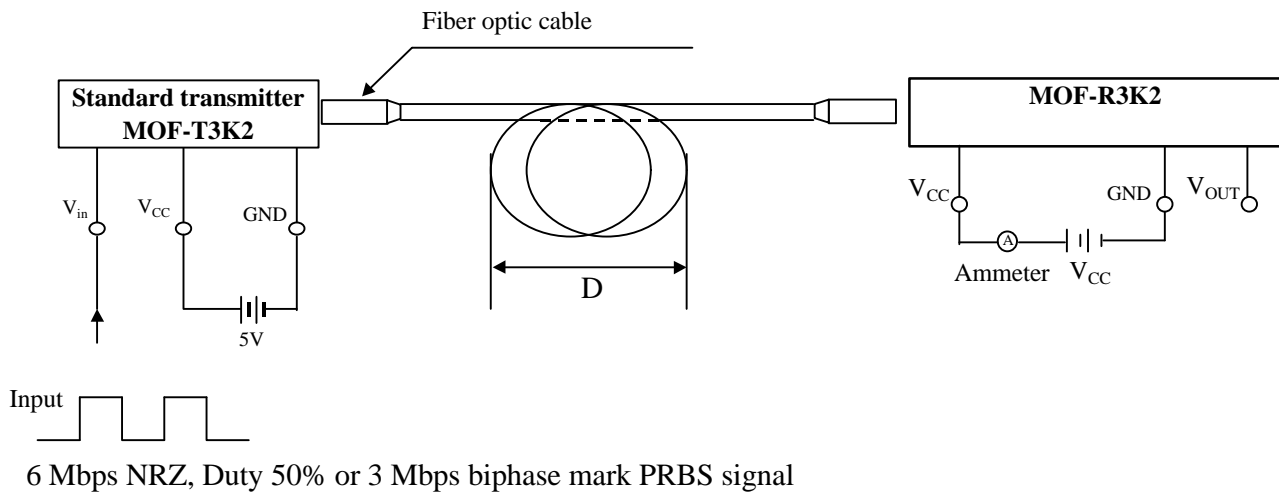
## Recommended Connection Method



## Electro-Optical Characteristics

Parameter	Symbol	Conditions	MIN.	TYP.	MAX.	Unit
Dissipation current	$I_{cc}$	Refer to Fig. 1	---	20	40	mA
High level output voltage	$V_{OH}$	Refer to Fig. 2	2.7	4.4	---	V
Low level output voltage	$V_{OL}$	Refer to Fig. 2	---	0.2	0.4	V
Rise time	$t_r$	Refer to Fig. 2	---	20	40	ns
Fall time	$t_f$	Refer to Fig. 2	---	20	40	ns
Low High delay time	$t_{pLH}$	Refer to Fig. 2	---	---	180	ns
High Low delay time	$t_{pHL}$	Refer to Fig. 2	---	---	180	ns
Pulse width distortion	$\Delta_{tw}$	Refer to Fig. 2	-30	---	+30	ns

**Fig. 1 Measuring Method of Optical Output Coupling with Fiber**



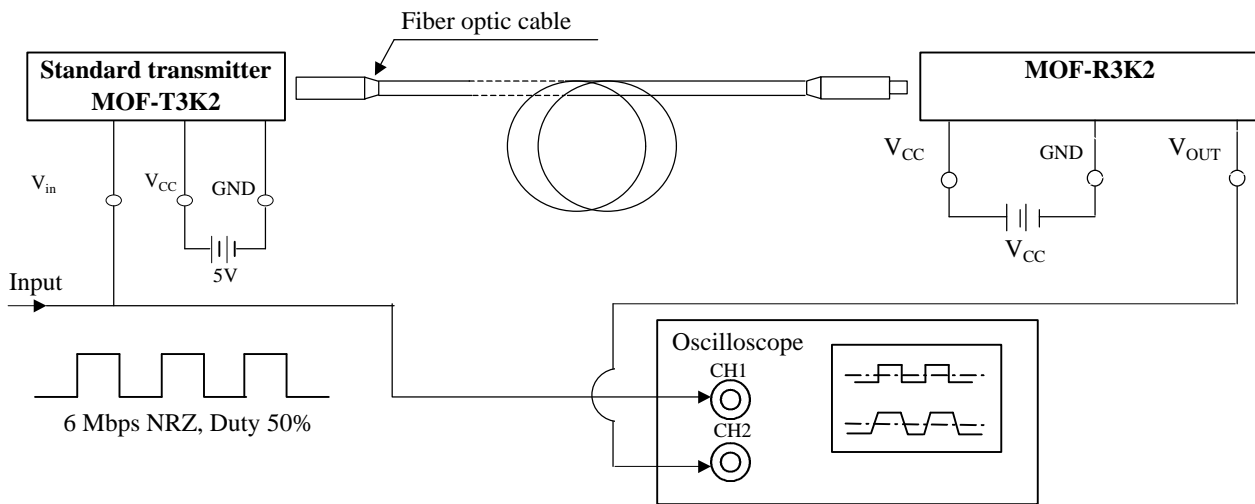
Notes (1)  $V_{cc}=5.0V$  (State of operating)

(2) To bundle up the standard fiber optic cable, make it into a loop with the diameter  $D=10cm$  or more.

(3)  $P_c = -14.5 \text{ dBm}$

(4) Measured on an ammeter.

Fig. 2 Measuring Method of Output Voltage and Pulse Response



**Test item**

Test item	Symbol
Low High pulse delay time	$t_{PLH}$
High Low pulse delay time	$t_{PHL}$
Rise time	$t_r$
Fall time	$t_f$
Pulse width distortion $tw = t_{PHL} - t_{PLH}$	$tw$
High level output voltage	$V_{OH}$
Low level output voltage	$V_{OL}$

