

# HIGH RIPPLE-REJECTION LOW DROPOUT MIDDLE OUTPUT CURRENT CMOS VOLTAGE REGULATOR

## S-1132 Series

The S-1132 Series is a positive voltage regulator with a low dropout voltage, high output voltage accuracy, and low current consumption (300 mA output current) developed based on CMOS technology.

A 0.1  $\mu$ F small ceramic capacitor can be used. It operates with low current consumption of 20  $\mu$ A typ.

A built-in Output current protector prevents the load current from exceeding the current capacitance of the output transistor.

Compared with the conventional 300 mA output current CMOS voltage regulators, high-density mounting is realized by using the super-small SNT-6A(H) package and a 0.1 $\mu$ F small ceramic capacitor.

Also, the low current consumption makes the S-1132 series ideal for mobile devices.

### ■ Features

- Output voltage: 1.5 V to 5.5 V, selectable in 0.1 V steps.
- Low ESR capacitor can be used: A ceramic capacitor of 0.1  $\mu$ F or more can be used for the output capacitor.
- Wide input voltage range: 2.0 V to 6.5 V
- High-accuracy output voltage:  $\pm 1.0\%$
- Low dropout voltage: 130 mV typ. (3.0 V output product,  $I_{OUT} = 100$  mA)
- Low current consumption: During operation: 20  $\mu$ A typ., 40  $\mu$ A max.  
During shutdown: 0.01  $\mu$ A typ., 1.0  $\mu$ A max.
- Output current: 300 mA output is possible (at  $V_{IN} \geq V_{OUT(S)} + 1.0$  V)<sup>\*1</sup>
- High ripple rejection: 70 dB typ. (at 1.0 kHz)
- Built-in overcurrent protector: Overcurrent of output transistor can be restricted.
- Built-in ON/OFF circuit: Ensures long battery life.
- Small package: SOT-23-5, SOT-89-5, SNT-6A(H)
- Lead-free products

\*1. Attention should be paid to the power dissipation of the package when the output current is large.

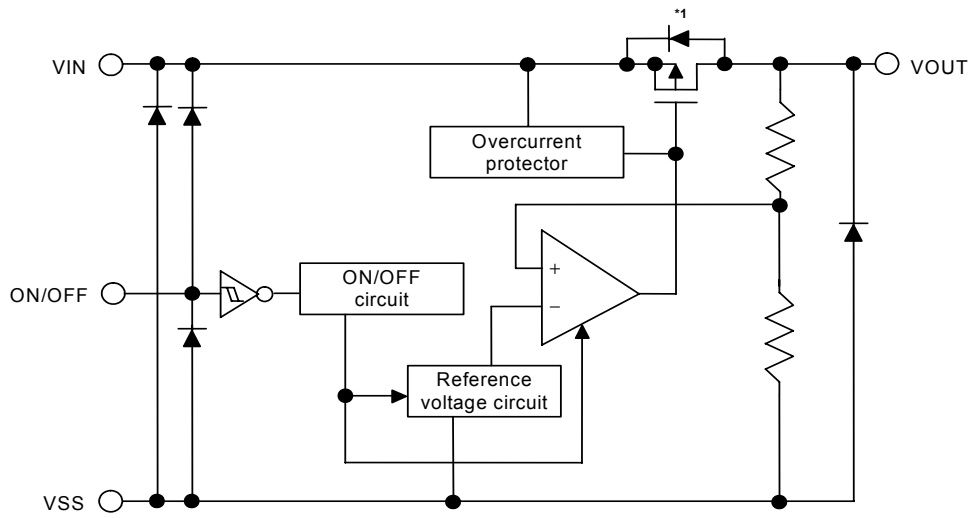
### ■ Applications

- Power supply for battery-powered devices
- Power supply for personal communication devices
- Power supply for home electric/electronic appliances
- Power supply for cellular phones

### ■ Packages

Package Name	Drawing Code			
	Package	Tape	Reel	Land
SOT-23-5	MP005-A	MP005-A	MP005-A	—
SOT-89-5	UP005-A	UP005-A	UP005-A	—
SNT-6A(H)	PI006-A	PI006-A	PI006-A	PI006-A

■ Block Diagram



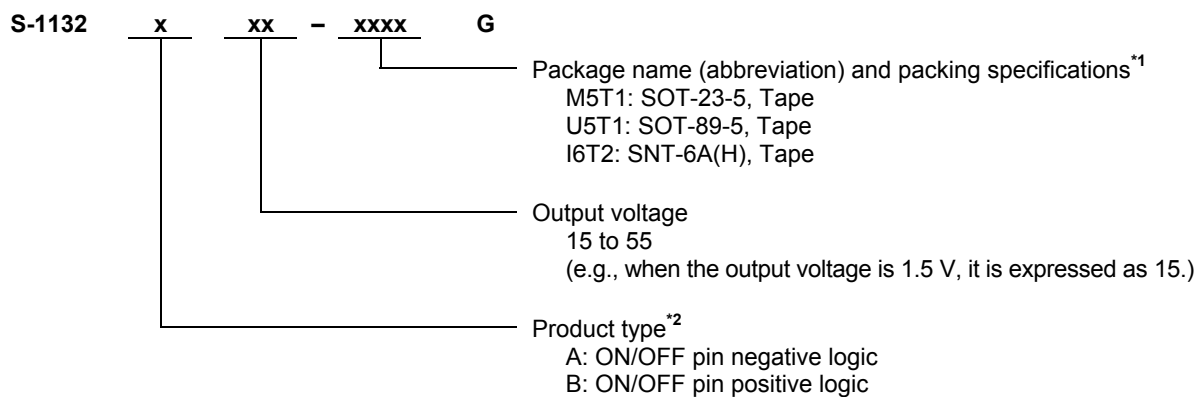
\*1. Parasitic diode

Figure 1

## ■ Product Name Structure

- The product types, output voltage, and package types for the S-1132 Series can be selected at the user's request. Refer to the "1. Product name" for the meanings of the characters in the product name and "2. Product name list" for the full product names.

### 1. Product name



\*1. Refer to the taping specifications at the end of this book.

\*2. Refer to 3. Shutdown pin (ON/OFF pin) in the "Operation".

**HIGH RIPPLE-REJECTION LOW DROPOUT MIDDLE OUTPUT CURRENT CMOS VOLTAGE REGULATOR**  
**S-1132 Series**

Rev.3.2\_00

**2. Product name list**

**Table 1**

Output Voltage	SOT-23-5	SOT-89-5	SNT-6A(H)
1.5 V ±1.0%	S-1132B15-M5T1G	S-1132B15-U5T1G	S-1132B15-I6T2G
1.6 V ±1.0%	S-1132B16-M5T1G	S-1132B16-U5T1G	S-1132B16-I6T2G
1.7 V ±1.0%	S-1132B17-M5T1G	S-1132B17-U5T1G	S-1132B17-I6T2G
1.8 V ±1.0%	S-1132B18-M5T1G	S-1132B18-U5T1G	S-1132B18-I6T2G
1.9 V ±1.0%	S-1132B19-M5T1G	S-1132B19-U5T1G	S-1132B19-I6T2G
2.0 V ±1.0%	S-1132B20-M5T1G	S-1132B20-U5T1G	S-1132B20-I6T2G
2.1 V ±1.0%	S-1132B21-M5T1G	S-1132B21-U5T1G	S-1132B21-I6T2G
2.2 V ±1.0%	S-1132B22-M5T1G	S-1132B22-U5T1G	S-1132B22-I6T2G
2.3 V ±1.0%	S-1132B23-M5T1G	S-1132B23-U5T1G	S-1132B23-I6T2G
2.4 V ±1.0%	S-1132B24-M5T1G	S-1132B24-U5T1G	S-1132B24-I6T2G
2.5 V ±1.0%	S-1132B25-M5T1G	S-1132B25-U5T1G	S-1132B25-I6T2G
2.6 V ±1.0%	S-1132B26-M5T1G	S-1132B26-U5T1G	S-1132B26-I6T2G
2.7 V ±1.0%	S-1132B27-M5T1G	S-1132B27-U5T1G	S-1132B27-I6T2G
2.8 V ±1.0%	S-1132B28-M5T1G	S-1132B28-U5T1G	S-1132B28-I6T2G
2.9 V ±1.0%	S-1132B29-M5T1G	S-1132B29-U5T1G	S-1132B29-I6T2G
3.0 V ±1.0%	S-1132B30-M5T1G	S-1132B30-U5T1G	S-1132B30-I6T2G
3.1 V ±1.0%	S-1132B31-M5T1G	S-1132B31-U5T1G	S-1132B31-I6T2G
3.2 V ±1.0%	S-1132B32-M5T1G	S-1132B32-U5T1G	S-1132B32-I6T2G
3.3 V ±1.0%	S-1132B33-M5T1G	S-1132B33-U5T1G	S-1132B33-I6T2G
3.4 V ±1.0%	S-1132B34-M5T1G	S-1132B34-U5T1G	S-1132B34-I6T2G
3.5 V ±1.0%	S-1132B35-M5T1G	S-1132B35-U5T1G	S-1132B35-I6T2G
3.6 V ±1.0%	S-1132B36-M5T1G	S-1132B36-U5T1G	S-1132B36-I6T2G
3.7 V ±1.0%	S-1132B37-M5T1G	S-1132B37-U5T1G	S-1132B37-I6T2G
3.8 V ±1.0%	S-1132B38-M5T1G	S-1132B38-U5T1G	S-1132B38-I6T2G
3.9 V ±1.0%	S-1132B39-M5T1G	S-1132B39-U5T1G	S-1132B39-I6T2G
4.0 V ±1.0%	S-1132B40-M5T1G	S-1132B40-U5T1G	S-1132B40-I6T2G
4.1 V ±1.0%	S-1132B41-M5T1G	S-1132B41-U5T1G	S-1132B41-I6T2G
4.2 V ±1.0%	S-1132B42-M5T1G	S-1132B42-U5T1G	S-1132B42-I6T2G
4.3 V ±1.0%	S-1132B43-M5T1G	S-1132B43-U5T1G	S-1132B43-I6T2G
4.4 V ±1.0%	S-1132B44-M5T1G	S-1132B44-U5T1G	S-1132B44-I6T2G
4.5 V ±1.0%	S-1132B45-M5T1G	S-1132B45-U5T1G	S-1132B45-I6T2G
4.6 V ±1.0%	S-1132B46-M5T1G	S-1132B46-U5T1G	S-1132B46-I6T2G
4.7 V ±1.0%	S-1132B47-M5T1G	S-1132B47-U5T1G	S-1132B47-I6T2G
4.8 V ±1.0%	S-1132B48-M5T1G	S-1132B48-U5T1G	S-1132B48-I6T2G
4.9 V ±1.0%	S-1132B49-M5T1G	S-1132B49-U5T1G	S-1132B49-I6T2G
5.0 V ±1.0%	S-1132B50-M5T1G	S-1132B50-U5T1G	S-1132B50-I6T2G
5.1 V ±1.0%	S-1132B51-M5T1G	S-1132B51-U5T1G	S-1132B51-I6T2G
5.2 V ±1.0%	S-1132B52-M5T1G	S-1132B52-U5T1G	S-1132B52-I6T2G
5.3 V ±1.0%	S-1132B53-M5T1G	S-1132B53-U5T1G	S-1132B53-I6T2G
5.4 V ±1.0%	S-1132B54-M5T1G	S-1132B54-U5T1G	S-1132B54-I6T2G
5.5 V ±1.0%	S-1132B55-M5T1G	S-1132B55-U5T1G	S-1132B55-I6T2G

**Remark** Please contact the SII marketing department for products with type A products.

■ Pin Configuration

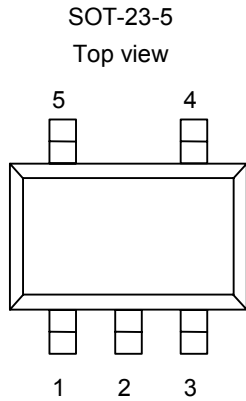


Figure 2

Table 2

Pin No.	Symbol	Description
1	VIN	Input voltage pin
2	VSS	GND pin
3	ON/OFF	Shutdown pin
4	NC*1	No connection
5	VOUT	Output voltage pin

\*1. The NC pin is electrically open.  
The NC pin can be connected to VIN or VSS.

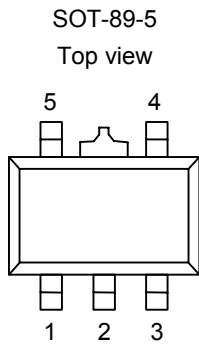


Figure 3

Table 3

Pin No.	Symbol	Description
1	VOUT	Output voltage pin
2	VSS	GND pin
3	NC*1	No connection
4	ON/OFF	Shutdown pin
5	VIN	Input voltage pin

\*1. The NC pin is electrically open.  
The NC pin can be connected to VIN or VSS.

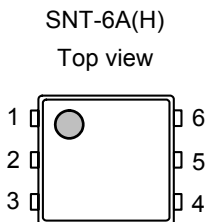


Figure 4

Table 4

Pin No.	Symbol	Description
1	VOUT	Output voltage pin
2	VSS	GND pin
3	NC*1	No connection
4	ON/OFF	Shutdown pin
5	VSS	GND pin
6	VIN	Input voltage pin

\*1. The NC pin is electrically open.  
The NC pin can be connected to VIN or VSS.

■ **Absolute Maximum Ratings**

**Table 5**

(Ta = 25°C unless otherwise specified)

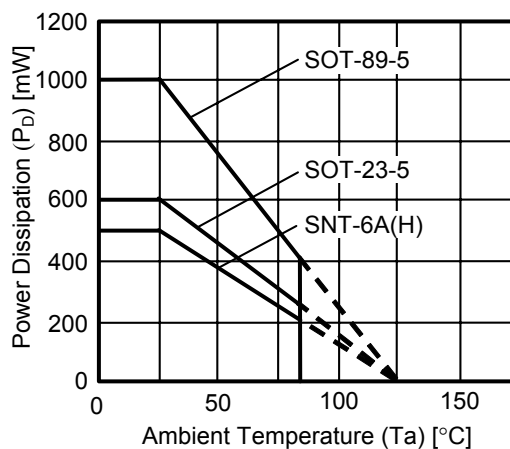
Item	Symbol	Absolute Maximum Rating	Unit	
Input voltage	$V_{IN}$	$V_{SS} - 0.3$ to $V_{SS} + 7$	V	
	$V_{ON/OFF}$	$V_{SS} - 0.3$ to $V_{IN} + 0.3$	V	
Output voltage	$V_{OUT}$	$V_{SS} - 0.3$ to $V_{IN} + 0.3$	V	
Power dissipation	SOT-23-5	$P_D$	300 (When not mounted on board)	mW
			$600^{*1}$	mW
		SOT-89-5	500 (When not mounted on board)	mW
			$1000^{*1}$	mW
SNT-6A(H)	$500^{*1}$	mW		
Operating ambient temperature	$T_{opr}$	-40 to + 85	°C	
Storage temperature	$T_{stg}$	-40 to + 125	°C	

\*1. When mounted on board

[Mounted Board]

- (1) Board size: 114.3 mm x 76.2 mm x t1.6 mm
- (2) Board name: JEDEC STANDARD51-7

**Caution** The absolute maximum ratings are rated values exceeding which the product could suffer physical damage. These values must therefore not be exceeded under any conditions.



**Figure 5 Power Dissipation of Package (When Mounted on Board)**

## ■ Electrical Characteristics

Table 6

(Ta = 25°C unless otherwise specified)

Item	Symbol	Conditions	Min.	Typ.	Max.	Unit	Test Circuit	
Output voltage <sup>*1</sup>	$V_{OUT(E)}$	$V_{IN} = V_{OUT(S)} + 1.0 \text{ V}$ , $I_{OUT} = 100 \text{ mA}$	$V_{OUT(S)} \times 0.99$	$V_{OUT(S)}$	$V_{OUT(S)} \times 1.01$	V	1	
Output current <sup>*2</sup>	$I_{OUT}$	$V_{IN} \geq V_{OUT(S)} + 1.0 \text{ V}$	300 <sup>*5</sup>	—	—	mA	3	
Dropout voltage <sup>*3</sup>	$V_{drop}$	$I_{OUT} = 100 \text{ mA}$	$1.5 \text{ V} \leq V_{OUT(S)} \leq 1.9 \text{ V}$	0.50	0.54	0.58	V	1
			$2.0 \text{ V} \leq V_{OUT(S)} \leq 2.4 \text{ V}$	—	0.15	0.23	V	1
			$2.5 \text{ V} \leq V_{OUT(S)} \leq 2.9 \text{ V}$	—	0.14	0.21	V	1
			$3.0 \text{ V} \leq V_{OUT(S)} \leq 3.2 \text{ V}$	—	0.13	0.19	V	1
			$3.3 \text{ V} \leq V_{OUT(S)} \leq 5.5 \text{ V}$	—	0.10	0.15	V	1
Line regulation	$\frac{\Delta V_{OUT1}}{\Delta V_{IN} \cdot V_{OUT}}$	$V_{OUT(S)} + 0.5 \text{ V} \leq V_{IN} \leq 6.5 \text{ V}$ , $I_{OUT} = 100 \text{ mA}$	—	0.01	0.2	% / V	1	
Load regulation	$\Delta V_{OUT2}$	$V_{IN} = V_{OUT(S)} + 1.0 \text{ V}$ , $1.0 \text{ mA} \leq I_{OUT} \leq 100 \text{ mA}$	—	15	40	mV	1	
Output voltage temperature coefficient <sup>*4</sup>	$\frac{\Delta V_{OUT}}{\Delta T_a \cdot V_{OUT}}$	$V_{IN} = V_{OUT(S)} + 1.0 \text{ V}$ , $I_{OUT} = 30 \text{ mA}$ , $-40^\circ\text{C} \leq T_a \leq 85^\circ\text{C}$	—	$\pm 100$	—	ppm/ °C	1	
Current consumption during operation	$I_{SS1}$	$V_{IN} = V_{OUT(S)} + 1.0 \text{ V}$ , ON/OFF pin = ON, no load	—	20	40	μA	2	
Current consumption during shutdown	$I_{SS2}$	$V_{IN} = V_{OUT(S)} + 1.0 \text{ V}$ , ON/OFF pin = OFF, no load	—	0.01	1.0	μA	2	
Input voltage	$V_{IN}$	—	2.0	—	6.5	V	—	
Shutdown pin input voltage "H"	$V_{SH}$	$V_{IN} = V_{OUT(S)} + 1.0 \text{ V}$ , $R_L = 1.0 \text{ k}\Omega$	1.5	—	—	V	4	
Shutdown pin input voltage "L"	$V_{SL}$	$V_{IN} = V_{OUT(S)} + 1.0 \text{ V}$ , $R_L = 1.0 \text{ k}\Omega$	—	—	0.25	V	4	
Shutdown pin input current "H"	$I_{SH}$	$V_{IN} = 6.5 \text{ V}$ , $V_{ON/OFF} = 6.5 \text{ V}$	-0.1	—	0.1	μA	4	
Shutdown pin input current "L"	$I_{SL}$	$V_{IN} = 6.5 \text{ V}$ , $V_{ON/OFF} = 0 \text{ V}$	-0.1	—	0.1	μA	4	
Ripple rejection	RR	$V_{IN} = V_{OUT(S)} + 1.0 \text{ V}$ , $f = 1.0 \text{ kHz}$ , $\Delta V_{rip} = 0.5 \text{ V}_{rms}$ , $I_{OUT} = 50 \text{ mA}$	$1.5 \text{ V} \leq V_{OUT(S)} \leq 3.0 \text{ V}$	—	70	—	dB	5
			$3.1 \text{ V} \leq V_{OUT(S)} \leq 5.5 \text{ V}$	—	65	—	dB	5
Short-circuit current	$I_{short}$	$V_{IN} = V_{OUT(S)} + 1.0 \text{ V}$ , ON/OFF pin = ON, $V_{OUT} = 0 \text{ V}$	—	250	—	mA	3	

- \*1.  $V_{OUT(S)}$ : Specified output voltage  
 $V_{OUT(E)}$ : Actual output voltage at the fixed load  
The output voltage when fixing  $I_{OUT}(= 100 \text{ mA})$  and inputting  $V_{OUT(S)} + 1.0 \text{ V}$
- \*2. The output current at which the output voltage becomes 95% of  $V_{OUT(E)}$  after gradually increasing the output current.
- \*3.  $V_{drop} = V_{IN1} - (V_{OUT3} \times 0.98)$   
 $V_{OUT3}$  is the output voltage when  $V_{IN} = V_{OUT(S)} + 1.0 \text{ V}$  and  $I_{OUT} = 100 \text{ mA}$ .  
 $V_{IN1}$  is the input voltage at which the output voltage becomes 98% of  $V_{OUT3}$  after gradually decreasing the input voltage.
- \*4. The change in temperature [ $\text{mV}/^\circ\text{C}$ ] is calculated using the following equation.  
$$\frac{\Delta V_{OUT}}{\Delta T_a} [\text{mV}/^\circ\text{C}]^*1 = V_{OUT(S)} [\text{V}]^2 \times \frac{\Delta V_{OUT}}{\Delta T_a \bullet V_{OUT}} [\text{ppm}/^\circ\text{C}]^*3 \div 1000$$
  - \*1. The change in temperature of the output voltage
  - \*2. Specified output voltage
  - \*3. Output voltage temperature coefficient
- \*5. The output current can be at least this value.  
Due to restrictions on the package power dissipation, this value may not be satisfied. Attention should be paid to the power dissipation of the package when the output current is large.  
This specification is guaranteed by design.



■ Test Circuits

1.

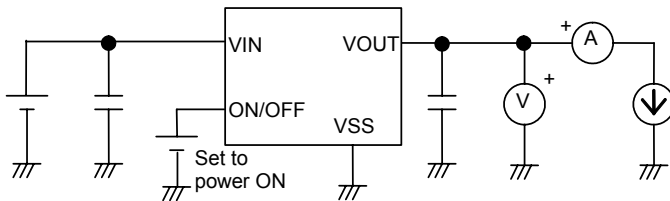


Figure 6

2.

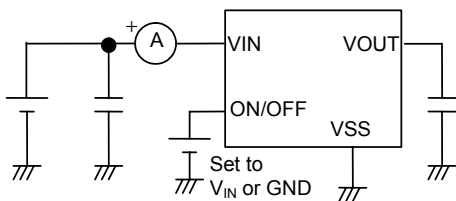


Figure 7

3.

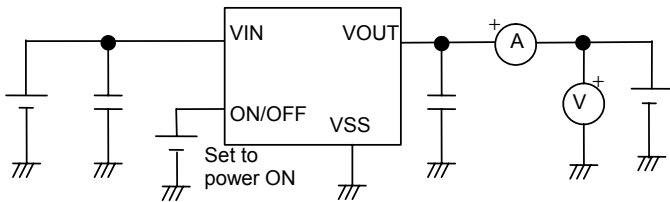


Figure 8

4.

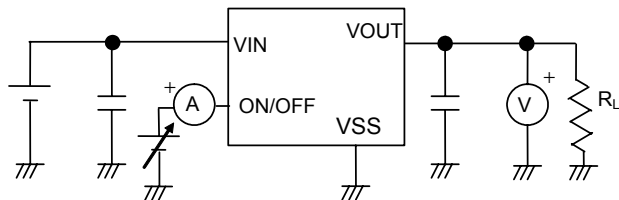


Figure 9

5.

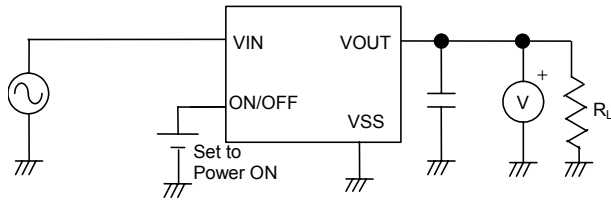
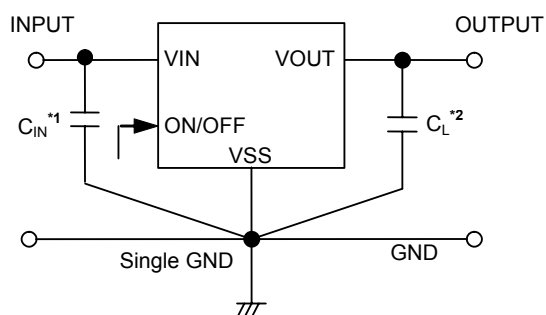


Figure 10

## ■ Standard Circuit



\*1.  $C_{IN}$  is a capacitor for stabilizing the input.

\*2. A ceramic capacitor of 0.1  $\mu\text{F}$  or more can be used for  $C_L$ .

Figure 11

**Caution** The above connection diagram and constant will not guarantee successful operation. Perform thorough evaluation using the actual application to set the constant.

## ■ Application Conditions

Input capacitor ( $C_{IN}$ ):	0.1 $\mu\text{F}$ or more
Output capacitor ( $C_L$ ):	0.1 $\mu\text{F}$ or more
ESR of output capacitor:	2.0 $\Omega$ or less

**Caution** A general series regulator may oscillate, depending on the external components selected. Check that no oscillation occurs with the application using the above capacitor.

## ■ Selection of Input and Output Capacitors ( $C_{IN}$ , $C_L$ )

The S-1132 Series requires an output capacitor between the VOUT and VSS pins for phase compensation. Operation is stabilized by a ceramic capacitor with an output capacitance of 0.1  $\mu\text{F}$  or more in the entire temperature range. However, when using an OS capacitor, tantalum capacitor, or aluminum electrolytic capacitor, a ceramic capacitor with a capacitance of 0.1  $\mu\text{F}$  or more and an ESR of 2.0  $\Omega$  or less is required.

The value of the output overshoot or undershoot transient response varies depending on the value of the output capacitor. The required capacitance of the input capacitor differs depending on the application.

The recommended value for an application is 0.1  $\mu\text{F}$  or more for  $C_{IN}$  and 0.1  $\mu\text{F}$  or more for  $C_L$ ; however, when selecting the output capacitor, perform sufficient evaluation, including evaluation of temperature characteristics, on the actual device.

## ■ Explanation of Terms

### 1. Low dropout voltage regulator

The low dropout voltage regulator is a voltage regulator whose dropout voltage is low due to its built-in low on-resistance transistor.

### 2. Low ESR

A capacitor whose ESR (Equivalent Series Resistance) is low. The S-1132 Series enables use of a low ESR capacitor, such as a ceramic capacitor, for the output-side capacitor  $C_L$ . A capacitor whose ESR is 2.0  $\Omega$  or less can be used.

### 3. Output voltage ( $V_{OUT}$ )

The accuracy of the output voltage is ensured at  $\pm 1.0\%$  under the specified conditions of fixed input voltage<sup>\*1</sup>, fixed output current, and fixed temperature.

\*1. Differs depending on the product.

**Caution** If the above conditions change, the output voltage value may vary and exceed the accuracy range of the output voltage. Please see the electrical characteristics and attached characteristics data for details.

### 4. Line regulation $\left( \frac{\Delta V_{OUT1}}{\Delta V_{IN} \bullet V_{OUT}} \right)$

Indicates the dependency of the output voltage on the input voltage. That is, the values show how much the output voltage changes due to a change in the input voltage with the output current remaining unchanged.

### 5. Load regulation ( $\Delta V_{OUT2}$ )

Indicates the dependency of the output voltage on the output current. That is, the values show how much the output voltage changes due to a change in the output current with the input voltage remaining unchanged.

### 6. Dropout voltage ( $V_{drop}$ )

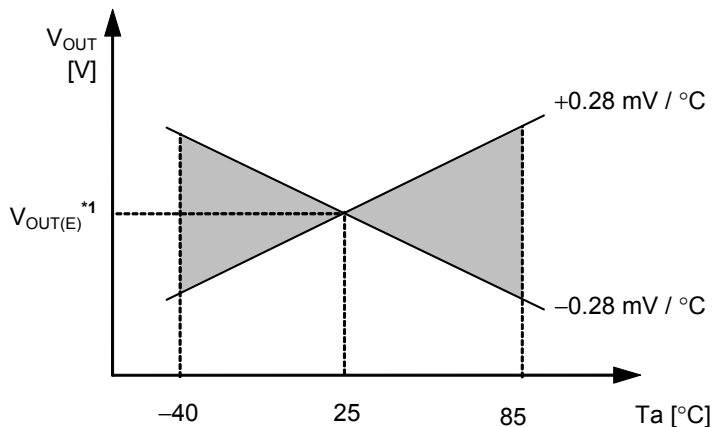
Indicates the difference between the input voltage  $V_{IN1}$ , which is the input voltage ( $V_{IN}$ ) at the point where the output voltage has fallen to 98% of the output voltage value  $V_{OUT3}$  after  $V_{IN}$  was gradually decreased from  $V_{IN} = V_{OUT(S)} + 1.0$  V, and the output voltage at that point ( $V_{OUT3} \times 0.98$ ).

$$V_{drop} = V_{IN1} - (V_{OUT3} \times 0.98)$$

7. Temperature coefficient of output voltage  $\left( \frac{\Delta V_{OUT}}{\Delta T_a \bullet V_{OUT}} \right)$

The shadowed area in **Figure 12** is the range where  $V_{OUT}$  varies in the operating temperature range when the temperature coefficient of the output voltage is  $\pm 100$  ppm/ $^{\circ}\text{C}$ .

Ex. S-1132B28 Typ.



\*1.  $V_{OUT(E)}$  is the value of the output voltage measured at  $25^{\circ}\text{C}$ .

**Figure 12**

A change in the temperature of the output voltage [ $\text{mV}/^{\circ}\text{C}$ ] is calculated using the following equation.

$$\frac{\Delta V_{OUT}}{\Delta T_a} [\text{mV}/^{\circ}\text{C}]^{*1} = V_{OUT(S)} [\text{V}]^{*2} \times \frac{\Delta V_{OUT}}{\Delta T_a \bullet V_{OUT}} [\text{ppm}/^{\circ}\text{C}]^{*3} \div 1000$$

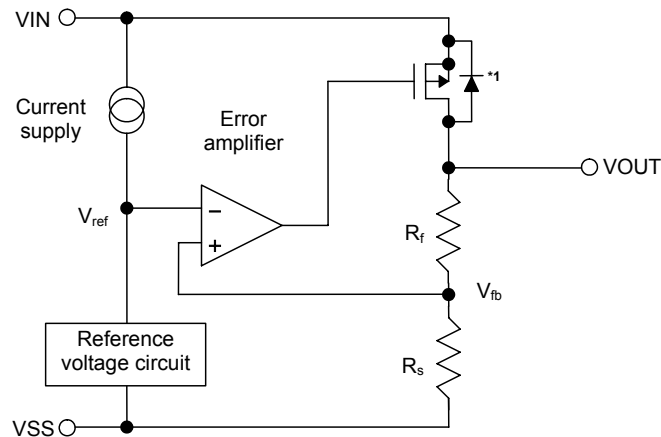
- \*1. Change in temperature of output voltage
- \*2. Specified output voltage
- \*3. Output voltage temperature coefficient

■ Operation

1. Basic operation

Figure 13 shows the block diagram of the S-1132 Series.

The error amplifier compares the reference voltage ( $V_{ref}$ ) with  $V_{fb}$ , which is the output voltage resistance-divided by feedback resistors  $R_s$  and  $R_f$ . It supplies the output transistor with the gate voltage necessary to ensure a certain output voltage free of any fluctuations of input voltage and temperature.



\*1. Parasitic diode

Figure 13

2. Output transistor

The S-1132 Series uses a low on-resistance P-channel MOS FET as the output transistor.

Be sure that  $V_{OUT}$  does not exceed  $V_{IN} + 0.3\text{ V}$  to prevent the voltage regulator from being damaged due to inverse current flowing from the VOUT pin through a parasitic diode to the VIN pin.

3. Shutdown pin (ON/OFF pin)

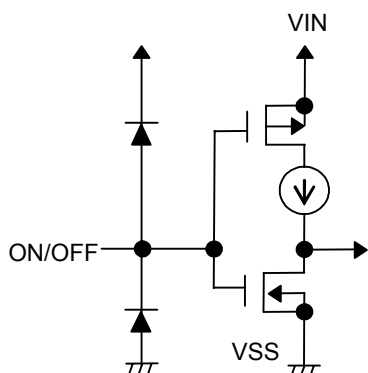
This pin starts and stops the regulator.

When the ON/OFF pin is set to the shutdown level, the operation of all internal circuits stops, and the built-in P-channel MOS FET output transistor between the VIN pin and VOUT pin is turned off to substantially reduce the current consumption. The VOUT pin becomes the  $V_{SS}$  level due to the internally divided resistance of several hundreds k $\Omega$  between the VOUT pin and VSS pin.

The structure of the ON/OFF pin is as shown in **Figure 14**. Since the ON/OFF pin is neither pulled down nor pulled up internally, do not use it in the floating state. In addition, note that the current consumption increases if a voltage of 0.3 V to  $V_{IN} - 0.3$  V is applied to the ON/OFF pin. When the ON/OFF pin is not used, connect it to the VSS pin if the logic type is "A" and to the VIN pin if it is "B".

**Table 7**

Logic Type	ON/OFF Pin	Internal Circuits	VOUT Pin Voltage	Current Consumption
A	"L": Power on	Operating	Set value	$I_{SS1}$
A	"H": Power off	Stopped	$V_{SS}$ level	$I_{SS2}$
B	"L": Power off	Stopped	$V_{SS}$ level	$I_{SS2}$
B	"H": Power on	Operating	Set value	$I_{SS1}$



**Figure 14**

## ■ Precautions

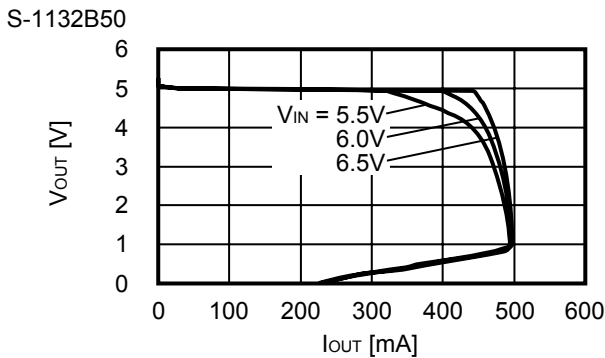
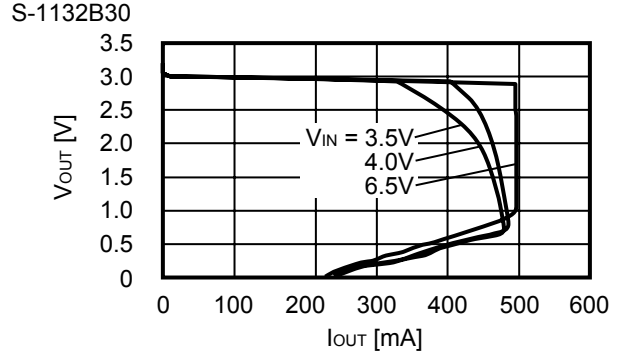
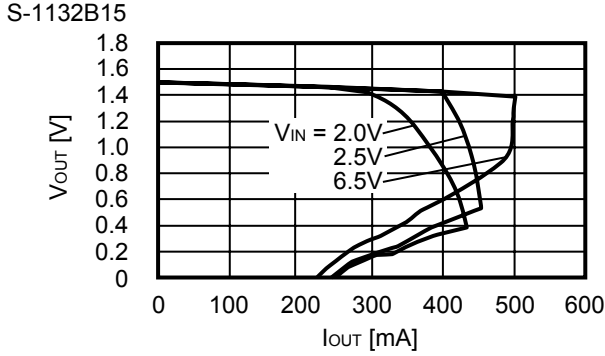
- Wiring patterns for the VIN, VOUT and GND pins should be designed so that the impedance is low. When mounting an output capacitor between the VOUT and VSS pins ( $C_L$ ) and a capacitor for stabilizing the input between VIN and VSS pins ( $C_{IN}$ ), the distance from the capacitors to these pins should be as short as possible.
- Note that the output voltage may increase when a series regulator is used at low load current (1.0 mA or less).
- Note that the output voltage may increase due to driver leakage when a series regulator is used at high temperatures.
- Generally a series regulator may cause oscillation, depending on the selection of external parts. The following conditions are recommended for this IC. However, be sure to perform sufficient evaluation under the actual usage conditions for selection, including evaluation of temperature characteristics.

Input capacitor ( $C_{IN}$ ):	0.1 $\mu$ F or more
Output capacitor ( $C_L$ ):	0.1 $\mu$ F or more
Equivalent series resistance (ESR):	2.0 $\Omega$ or less

- The voltage regulator may oscillate when the impedance of the power supply is high and the input capacitor is small or an input capacitor is not connected.
- If the capacitance of the IC's output block is small, the power supply fluctuation and load fluctuation characteristics become worse. It is therefore important to sufficiently evaluate the output voltage fluctuation in the actual equipment.
- When the capacitance of the IC's output block is small, if the power supply suddenly increases sharply, a momentary overshoot may be output. It is therefore important to sufficiently evaluate the output voltage at power application in the actual equipment.
- The application conditions for the input voltage, output voltage, and load current should not exceed the package power dissipation.
- Do not apply an electrostatic discharge to this IC that exceeds the performance ratings of the built-in electrostatic protection circuit.
- In determining the output current, attention should be paid to the output current value specified in **Table 6** in the electrical characteristics and footnote \*5) of the table.
- SII claims no responsibility for any disputes arising out of or in connection with any infringement by products including this IC of patents owned by a third party.

■ **Characteristics (Typical Data)**

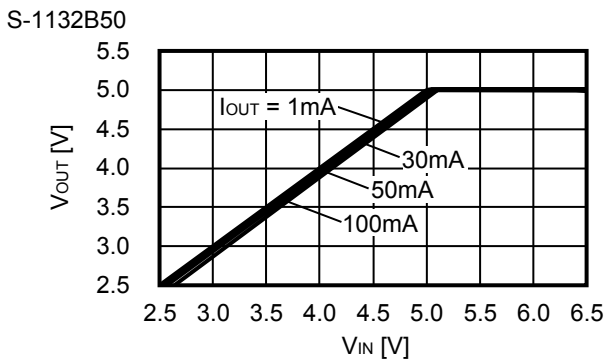
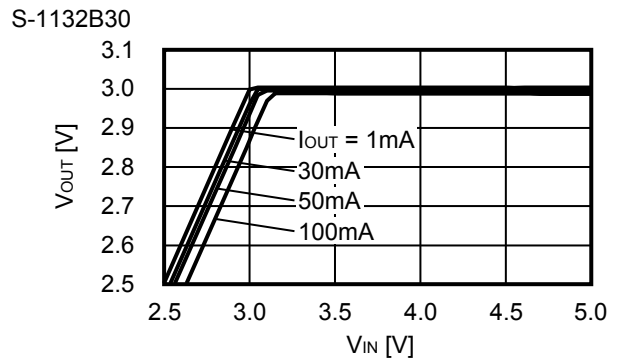
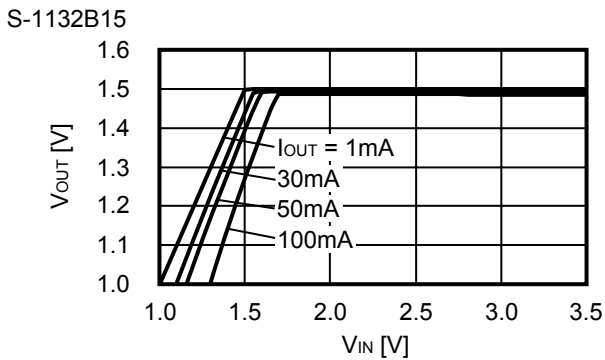
(1) **Output Voltage vs. Output Current (When Load Current Increases) (Ta = 25°C)**



**Remark** In determining the output current, attention should be paid to the following.

1. The minimum output current value and footnote \*5 specified in **Table 6** in the “**Electrical Characteristics**”
2. The package power dissipation

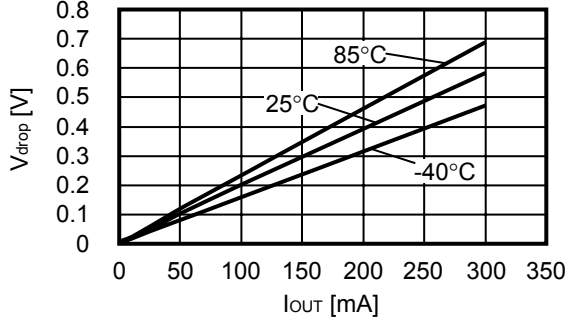
(2) **Output Voltage vs. Input Voltage (Ta = 25°C)**



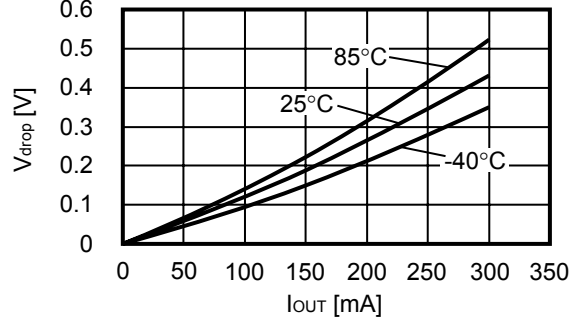


(3) Dropout Voltage vs. Output Current

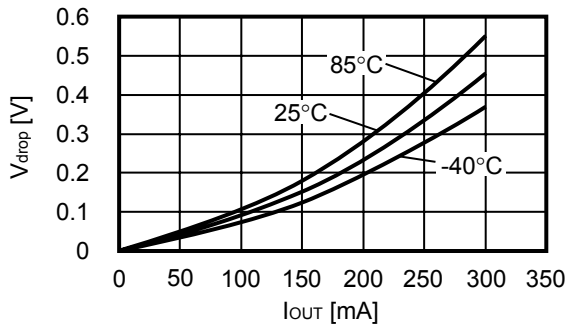
S-1132B15



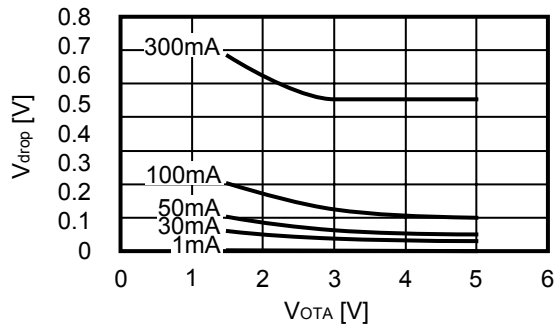
S-1132B30



S-1132B50

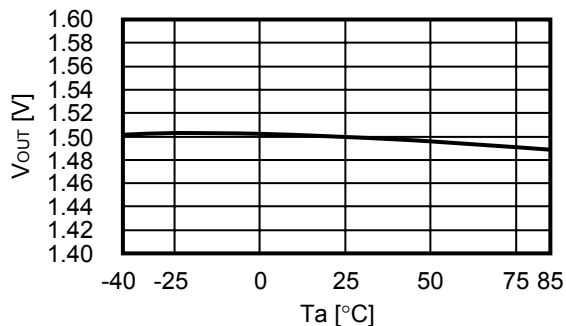


(4) Dropout Voltage vs. Set Output Voltage

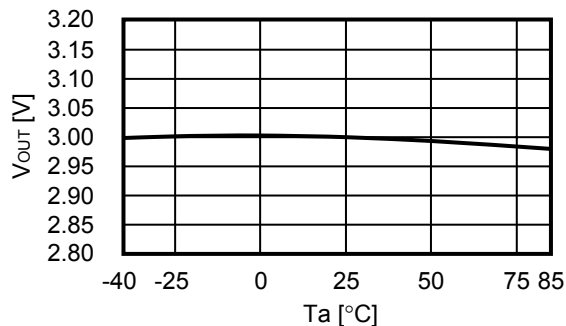


**(5) Output Voltage vs. Ambient Temperature**

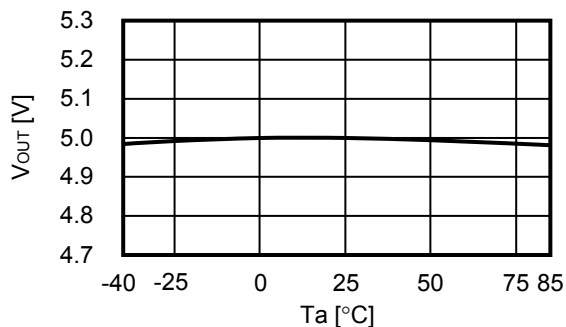
S-1132B15



S-1132B30

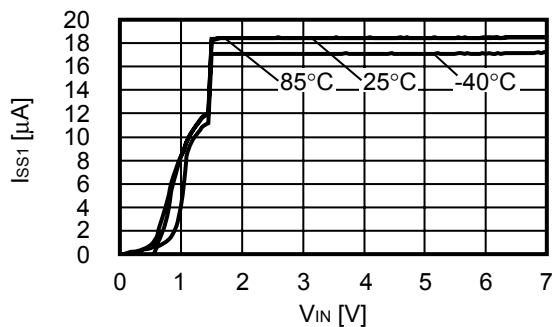


S-1132B50

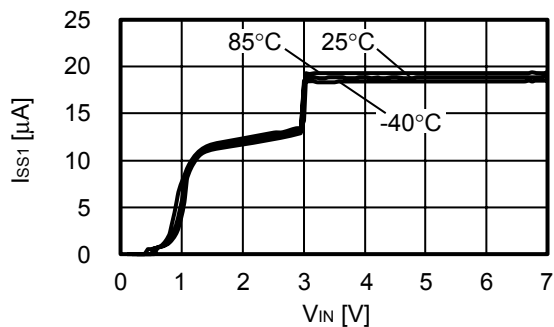


**(6) Current Consumption vs. Input Voltage**

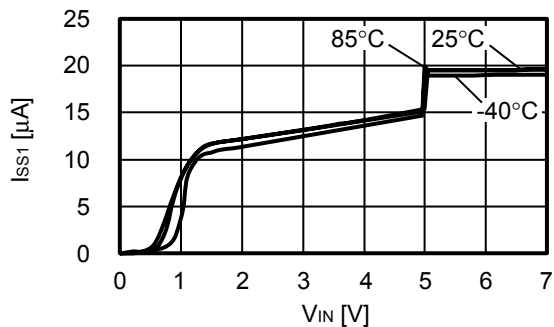
S-1132B15



S-1132B30

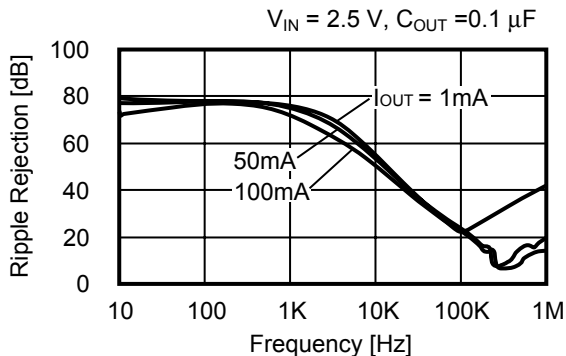


S-1132B50

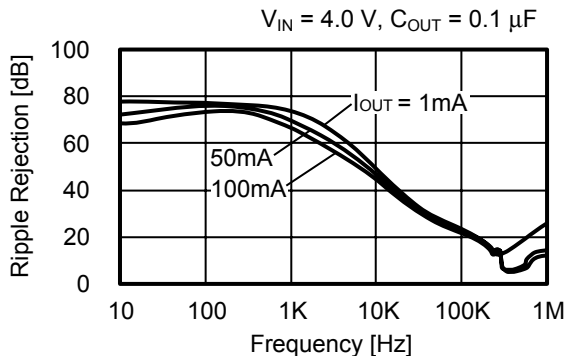


(7) Ripple Rejection (Ta = 25°C)

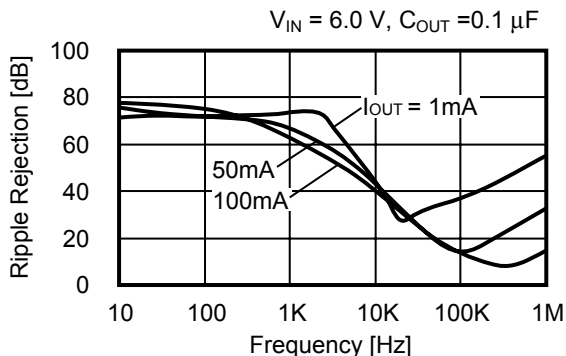
S-1132B15



S-1132B30



S-1132B50

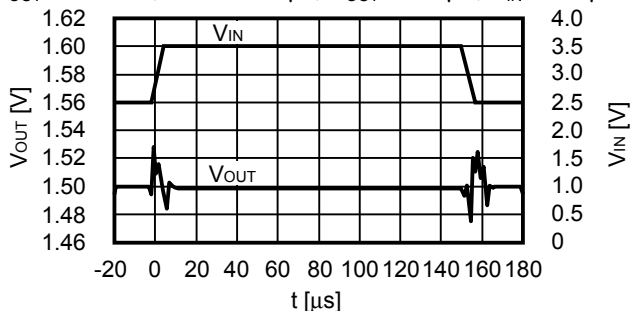


**Reference Data**

**(1) Input Transient Response Characteristics (Ta = 25°C)**

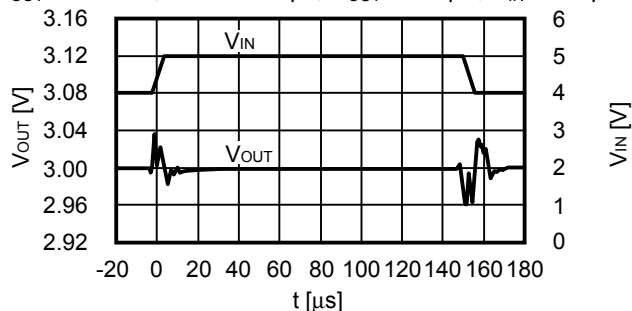
S-1132B15

$I_{OUT} = 100 \text{ mA}$ ,  $t_r = t_f = 5.0 \mu\text{s}$ ,  $C_{OUT} = 0.1 \mu\text{F}$ ,  $C_{IN} = 0.1 \mu\text{F}$



S-1132B30

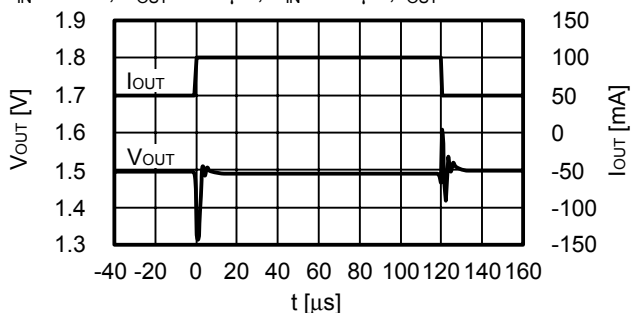
$I_{OUT} = 100 \text{ mA}$ ,  $t_r = t_f = 5.0 \mu\text{s}$ ,  $C_{OUT} = 0.1 \mu\text{F}$ ,  $C_{IN} = 0.1 \mu\text{F}$



**(2) Load Transient Response Characteristics (Ta = 25°C)**

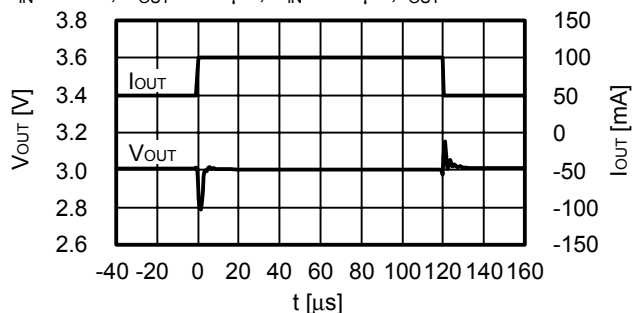
S-1132B15

$V_{IN} = 2.5 \text{ V}$ ,  $C_{OUT} = 0.1 \mu\text{F}$ ,  $C_{IN} = 0.1 \mu\text{F}$ ,  $I_{OUT} = 50 \leftrightarrow 100 \text{ mA}$



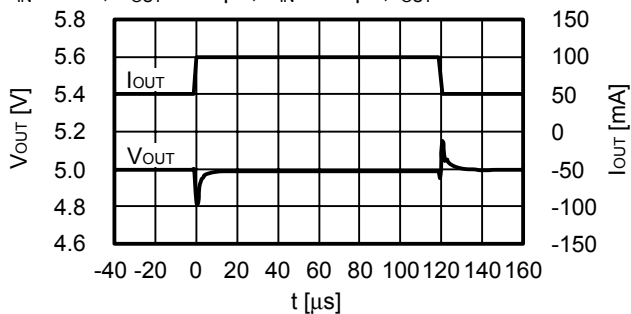
S-1132B30

$V_{IN} = 4.0 \text{ V}$ ,  $C_{OUT} = 0.1 \mu\text{F}$ ,  $C_{IN} = 0.1 \mu\text{F}$ ,  $I_{OUT} = 50 \leftrightarrow 100 \text{ mA}$



S-1132B50

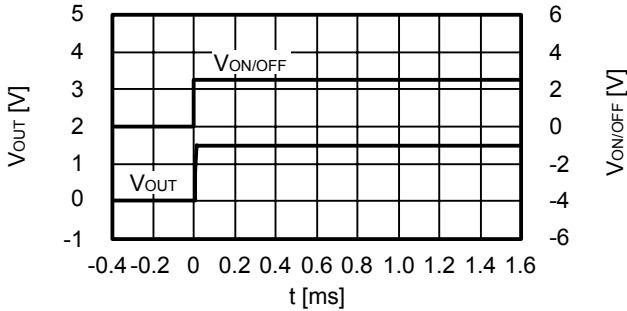
$V_{IN} = 6.0 \text{ V}$ ,  $C_{OUT} = 0.1 \mu\text{F}$ ,  $C_{IN} = 0.1 \mu\text{F}$ ,  $I_{OUT} = 50 \leftrightarrow 100 \text{ mA}$



**(3) ON / OFF Pin Transient Response Characteristics (Ta = 25°C)**

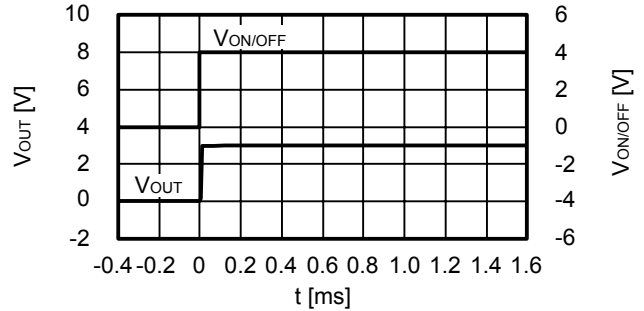
S-1132B15

$V_{IN} = 2.5\text{ V}$ ,  $C_{OUT} = 0.1\ \mu\text{F}$ ,  $C_{IN} = 0.1\ \mu\text{F}$ ,  $I_{OUT} = 80\text{ mA}$



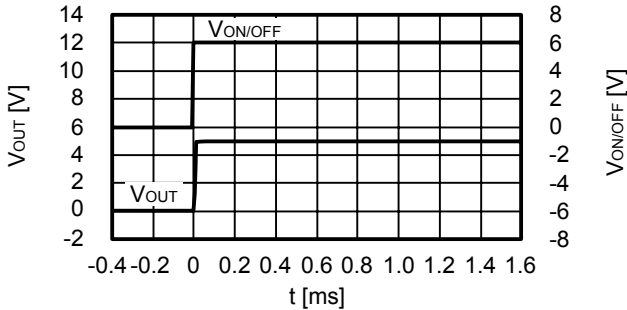
S-1132B30

$V_{IN} = 4.0\text{ V}$ ,  $C_{OUT} = 0.1\ \mu\text{F}$ ,  $C_{IN} = 0.1\ \mu\text{F}$ ,  $I_{OUT} = 80\text{ mA}$



S-1132B50

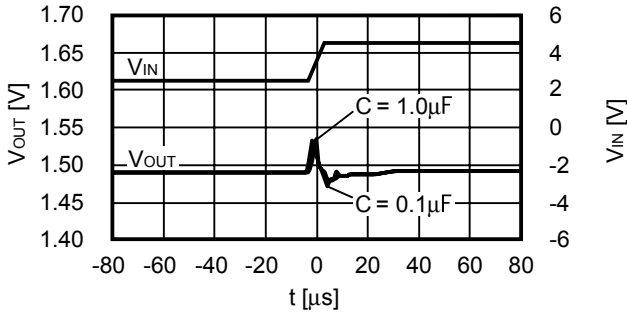
$V_{IN} = 6.0\text{ V}$ ,  $C_{OUT} = 0.1\ \mu\text{F}$ ,  $C_{IN} = 0.1\ \mu\text{F}$ ,  $I_{OUT} = 80\text{ mA}$



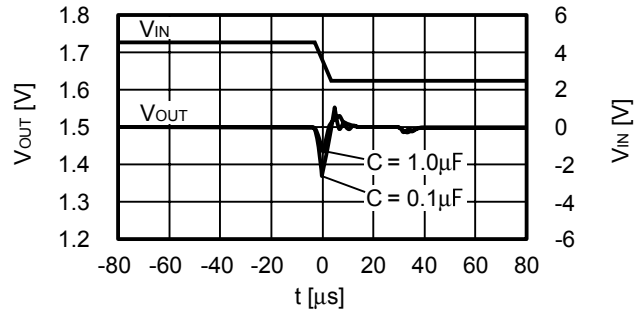
**(4) Input transient response characteristics - Capacity Value characteristics (Ta = 25°C)**

S-1132B15

$V_{IN} = 2.5\text{ V} \rightarrow 4.5\text{ V}$ ,  $t_r = 5\ \mu\text{s}$ ,  $I_{OUT} = 100\text{ mA}$



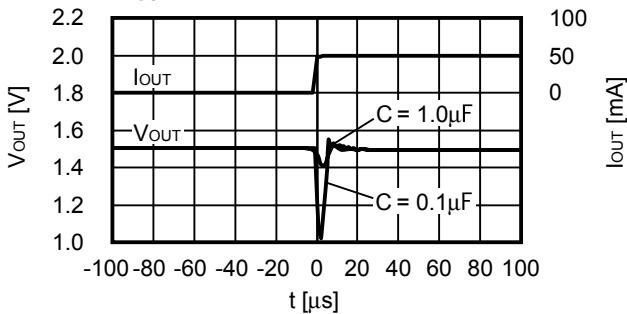
$V_{IN} = 4.5\text{ V} \rightarrow 2.5\text{ V}$ ,  $t_r = 5\ \mu\text{s}$ ,  $I_{OUT} = 100\text{ mA}$



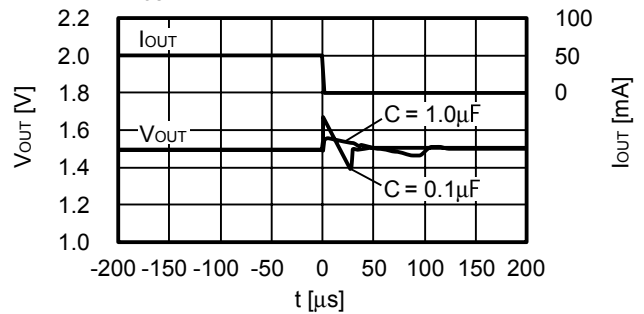
**(5) Load transient response characteristics - Capacity Value characteristics (Ta = 25°C)**

S-1132B15

$V_{IN} = 2.5\text{ V}$ ,  $I_{OUT} = 1 \rightarrow 50\text{ mA}$

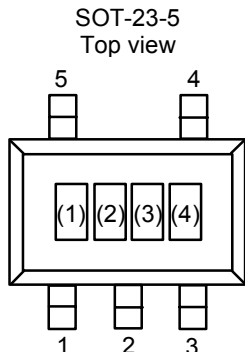


$V_{IN} = 2.5\text{ V}$ ,  $I_{OUT} = 50 \rightarrow 1\text{ mA}$



■ **Marking Specification**

(1) **SOT-23-5**



(1) to (3) : Product code (Refer to **Product name vs. Product code**)  
 (4) : Lot number

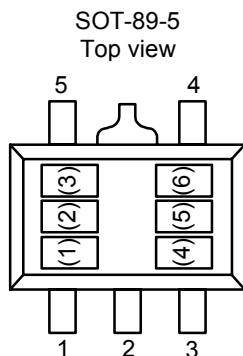
**Product name vs. Product code**

Product name	Product code		
	(1)	(2)	(3)
S-1132B15-M5T1G	Q	L	A
S-1132B16-M5T1G	Q	L	B
S-1132B17-M5T1G	Q	L	C
S-1132B18-M5T1G	Q	L	D
S-1132B19-M5T1G	Q	L	E
S-1132B20-M5T1G	Q	L	F
S-1132B21-M5T1G	Q	L	G
S-1132B22-M5T1G	Q	L	H
S-1132B23-M5T1G	Q	L	I
S-1132B24-M5T1G	Q	L	J
S-1132B25-M5T1G	Q	L	K
S-1132B26-M5T1G	Q	L	L
S-1132B27-M5T1G	Q	L	M
S-1132B28-M5T1G	Q	L	N
S-1132B29-M5T1G	Q	L	O
S-1132B30-M5T1G	Q	L	P
S-1132B31-M5T1G	Q	L	Q
S-1132B32-M5T1G	Q	L	R
S-1132B33-M5T1G	Q	L	S
S-1132B34-M5T1G	Q	L	T
S-1132B35-M5T1G	Q	L	U

Product name	Product code		
	(1)	(2)	(3)
S-1132B36-M5T1G	Q	L	V
S-1132B37-M5T1G	Q	L	W
S-1132B38-M5T1G	Q	L	X
S-1132B39-M5T1G	Q	L	Y
S-1132B40-M5T1G	Q	L	Z
S-1132B41-M5T1G	Q	M	A
S-1132B42-M5T1G	Q	M	B
S-1132B43-M5T1G	Q	M	C
S-1132B44-M5T1G	Q	M	D
S-1132B45-M5T1G	Q	M	E
S-1132B46-M5T1G	Q	M	F
S-1132B47-M5T1G	Q	M	G
S-1132B48-M5T1G	Q	M	H
S-1132B49-M5T1G	Q	M	I
S-1132B50-M5T1G	Q	M	J
S-1132B51-M5T1G	Q	M	K
S-1132B52-M5T1G	Q	M	L
S-1132B53-M5T1G	Q	M	M
S-1132B54-M5T1G	Q	M	N
S-1132B55-M5T1G	Q	M	O

**Remark** Please contact the SII marketing department for products with type A products.

(2) SOT-89-5



(1) to (3) : Product code (Refer to **Product name vs. Product code**)

(4) to (6) : Lot number

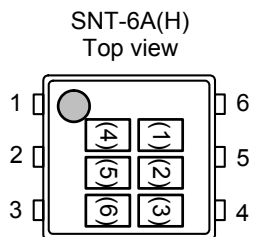
Product name vs. Product code

Product name	Product code		
	(1)	(2)	(3)
S-1132B15-U5T1G	Q	L	A
S-1132B16-U5T1G	Q	L	B
S-1132B17-U5T1G	Q	L	C
S-1132B18-U5T1G	Q	L	D
S-1132B19-U5T1G	Q	L	E
S-1132B20-U5T1G	Q	L	F
S-1132B21-U5T1G	Q	L	G
S-1132B22-U5T1G	Q	L	H
S-1132B23-U5T1G	Q	L	I
S-1132B24-U5T1G	Q	L	J
S-1132B25-U5T1G	Q	L	K
S-1132B26-U5T1G	Q	L	L
S-1132B27-U5T1G	Q	L	M
S-1132B28-U5T1G	Q	L	N
S-1132B29-U5T1G	Q	L	O
S-1132B30-U5T1G	Q	L	P
S-1132B31-U5T1G	Q	L	Q
S-1132B32-U5T1G	Q	L	R
S-1132B33-U5T1G	Q	L	S
S-1132B34-U5T1G	Q	L	T
S-1132B35-U5T1G	Q	L	U

Product name	Product code		
	(1)	(2)	(3)
S-1132B36-U5T1G	Q	L	V
S-1132B37-U5T1G	Q	L	W
S-1132B38-U5T1G	Q	L	X
S-1132B39-U5T1G	Q	L	Y
S-1132B40-U5T1G	Q	L	Z
S-1132B41-U5T1G	Q	M	A
S-1132B42-U5T1G	Q	M	B
S-1132B43-U5T1G	Q	M	C
S-1132B44-U5T1G	Q	M	D
S-1132B45-U5T1G	Q	M	E
S-1132B46-U5T1G	Q	M	F
S-1132B47-U5T1G	Q	M	G
S-1132B48-U5T1G	Q	M	H
S-1132B49-U5T1G	Q	M	I
S-1132B50-U5T1G	Q	M	J
S-1132B51-U5T1G	Q	M	K
S-1132B52-U5T1G	Q	M	L
S-1132B53-U5T1G	Q	M	M
S-1132B54-U5T1G	Q	M	N
S-1132B55-U5T1G	Q	M	O

**Remark** Please contact the SII marketing department for products with type A products.

**(3) SNT-6A(H)**



(1) to (3) : Product code (Refer to **Product name vs. Product code**)  
 (4) to (6) : Lot number

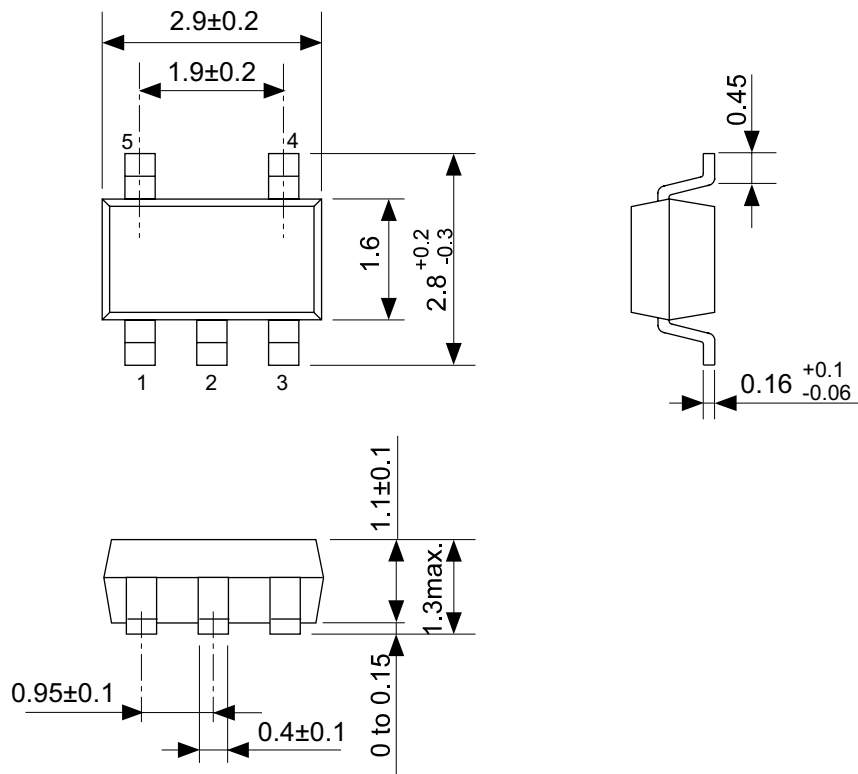
**Product name vs. Product code**

Product name	Product code		
	(1)	(2)	(3)
S-1132B15-I6T2G	Q	L	A
S-1132B16-I6T2G	Q	L	B
S-1132B17-I6T2G	Q	L	C
S-1132B18-I6T2G	Q	L	D
S-1132B19-I6T2G	Q	L	E
S-1132B20-I6T2G	Q	L	F
S-1132B21-I6T2G	Q	L	G
S-1132B22-I6T2G	Q	L	H
S-1132B23-I6T2G	Q	L	I
S-1132B24-I6T2G	Q	L	J
S-1132B25-I6T2G	Q	L	K
S-1132B26-I6T2G	Q	L	L
S-1132B27-I6T2G	Q	L	M
S-1132B28-I6T2G	Q	L	N
S-1132B29-I6T2G	Q	L	O
S-1132B30-I6T2G	Q	L	P
S-1132B31-I6T2G	Q	L	Q
S-1132B32-I6T2G	Q	L	R
S-1132B33-I6T2G	Q	L	S
S-1132B34-I6T2G	Q	L	T
S-1132B35-I6T2G	Q	L	U

Product name	Product code		
	(1)	(2)	(3)
S-1132B36-I6T2G	Q	L	V
S-1132B37-I6T2G	Q	L	W
S-1132B38-I6T2G	Q	L	X
S-1132B39-I6T2G	Q	L	Y
S-1132B40-I6T2G	Q	L	Z
S-1132B41-I6T2G	Q	M	A
S-1132B42-I6T2G	Q	M	B
S-1132B43-I6T2G	Q	M	C
S-1132B44-I6T2G	Q	M	D
S-1132B45-I6T2G	Q	M	E
S-1132B46-I6T2G	Q	M	F
S-1132B47-I6T2G	Q	M	G
S-1132B48-I6T2G	Q	M	H
S-1132B49-I6T2G	Q	M	I
S-1132B50-I6T2G	Q	M	J
S-1132B51-I6T2G	Q	M	K
S-1132B52-I6T2G	Q	M	L
S-1132B53-I6T2G	Q	M	M
S-1132B54-I6T2G	Q	M	N
S-1132B55-I6T2G	Q	M	O

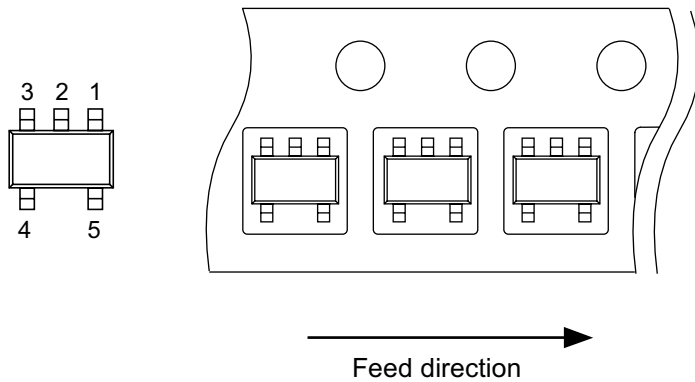
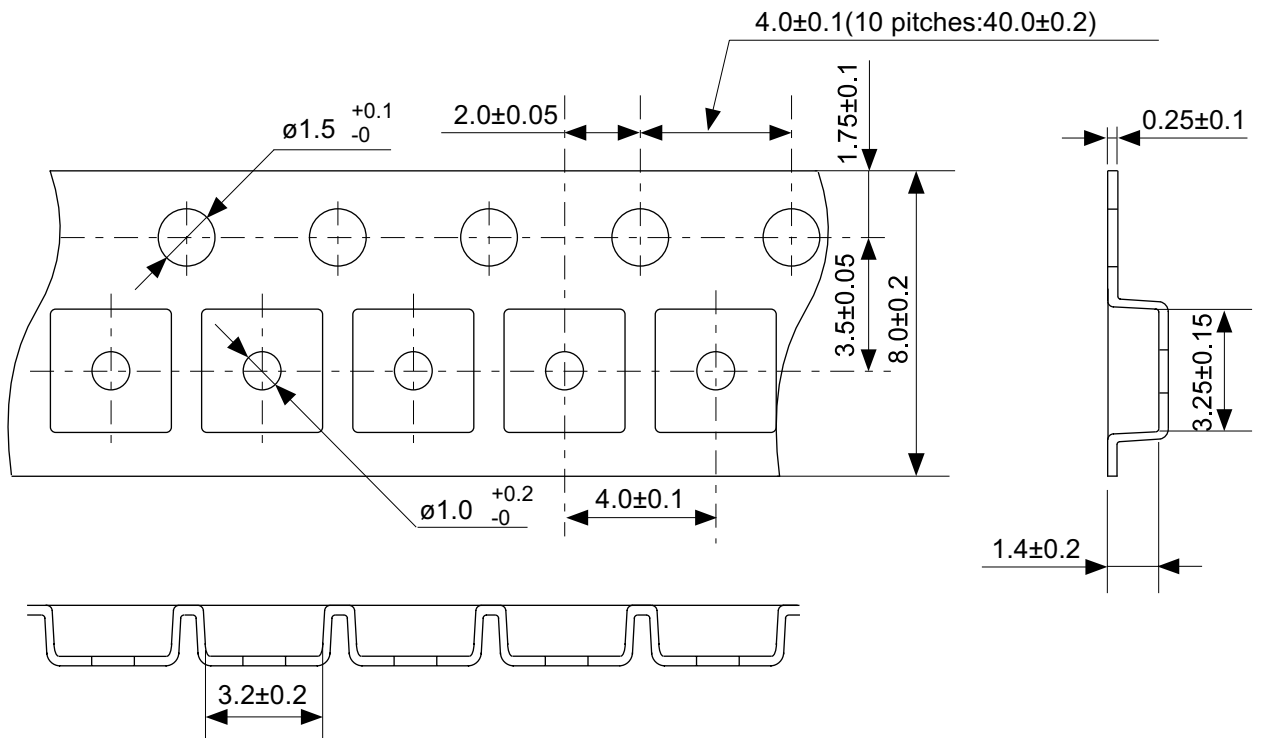
**Remark** Please contact the SII marketing department for products with type A products.





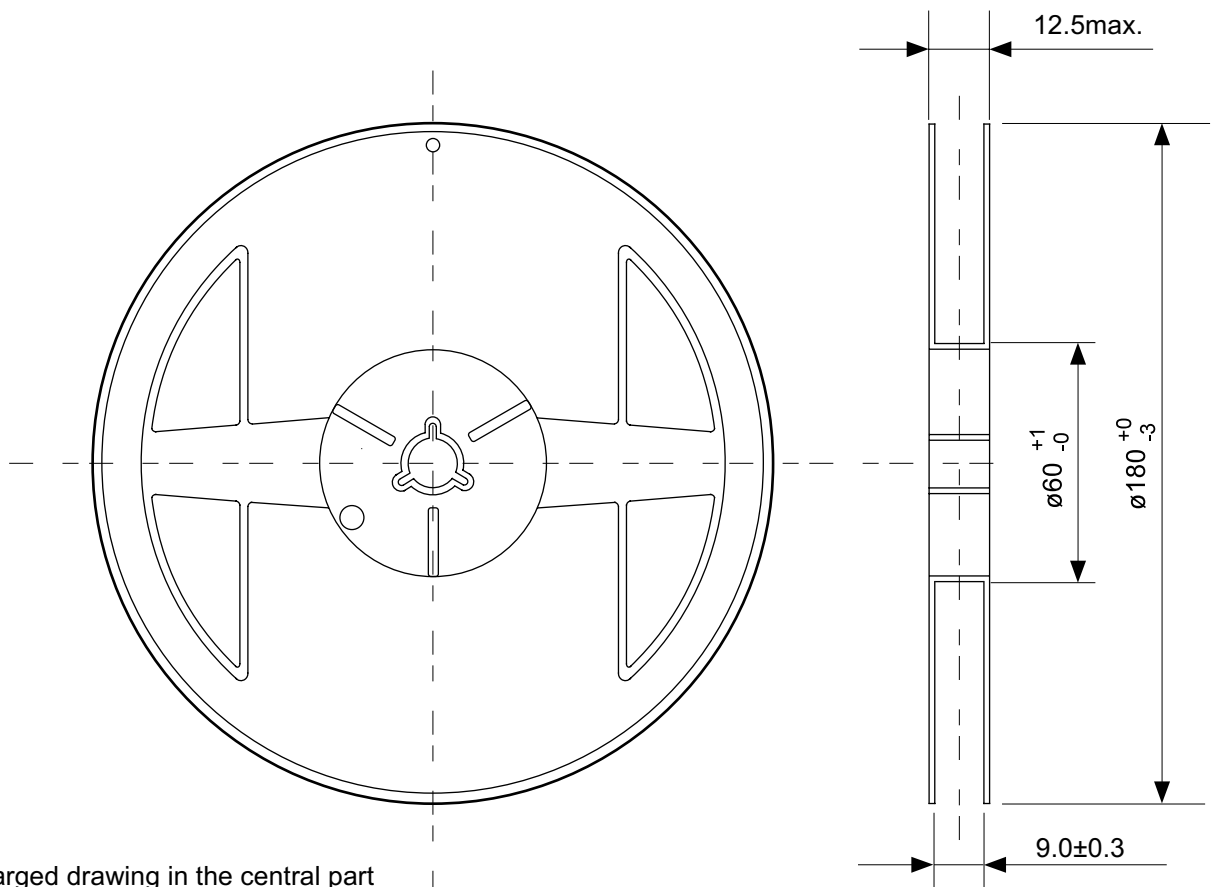
No. MP005-A-P-SD-1.2

TITLE	SOT235-A-PKG Dimensions
No.	MP005-A-P-SD-1.2
SCALE	
UNIT	mm
Seiko Instruments Inc.	

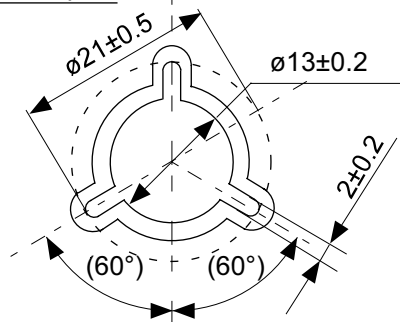


No. MP005-A-C-SD-2.1

TITLE	SOT235-A-Carrier Tape
No.	MP005-A-C-SD-2.1
SCALE	
UNIT	mm
Seiko Instruments Inc.	

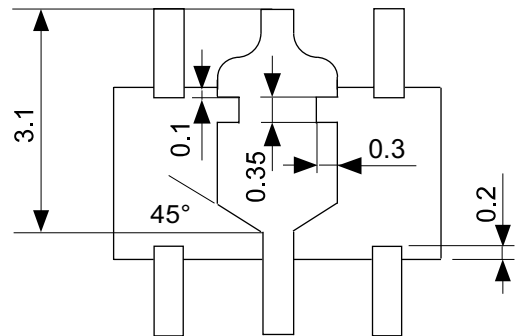
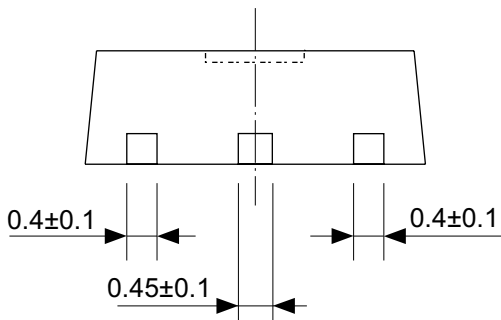
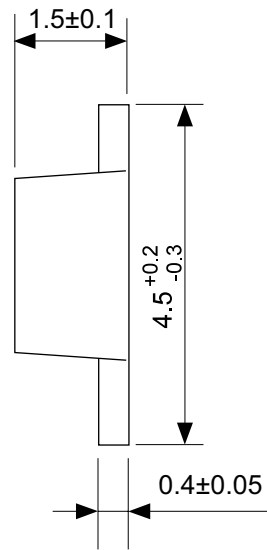
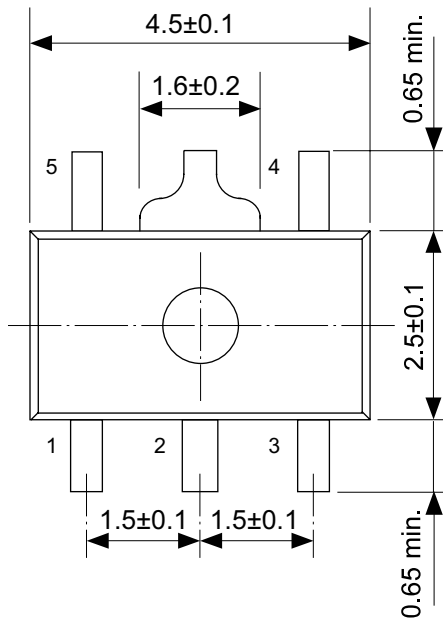


Enlarged drawing in the central part



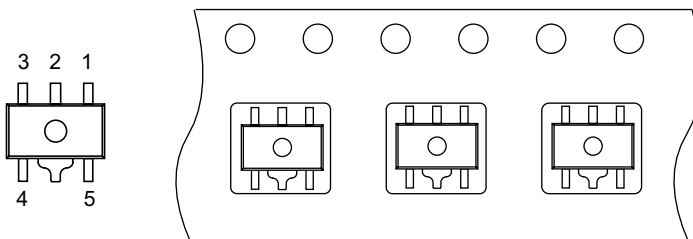
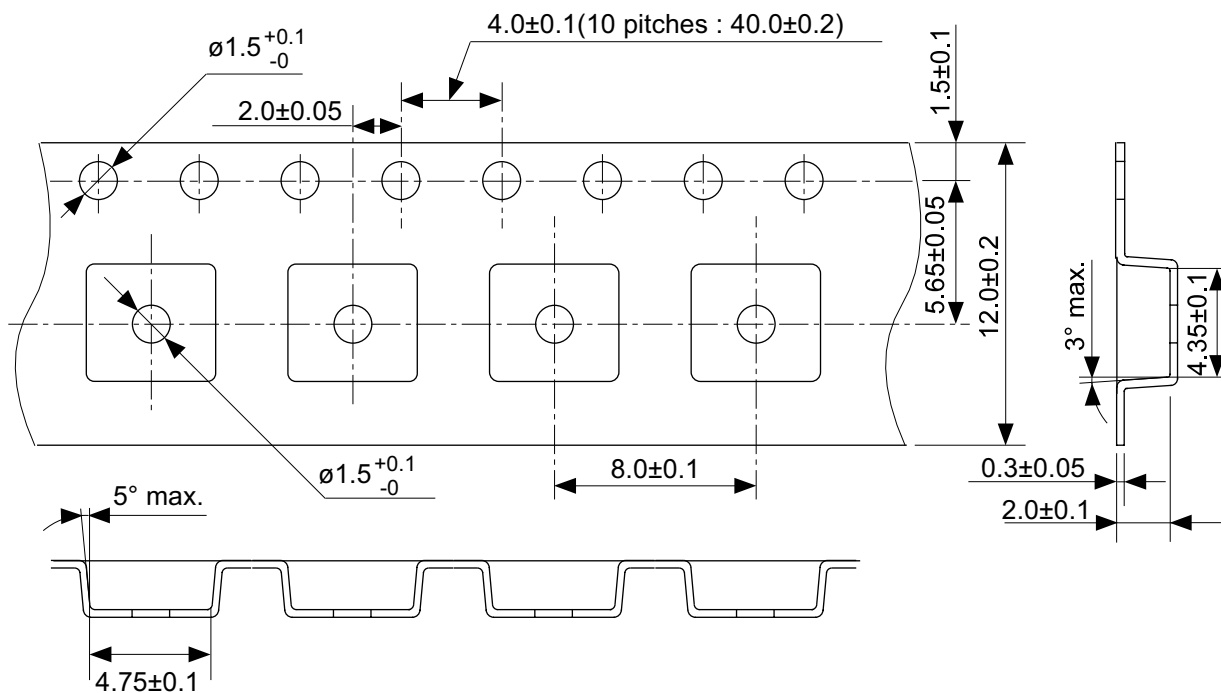
No. MP005-A-R-SD-1.1

TITLE	SOT235-A-Reel		
No.	MP005-A-R-SD-1.1		
SCALE		QTY.	3,000
UNIT	mm		
Seiko Instruments Inc.			



No. UP005-A-P-SD-1.1

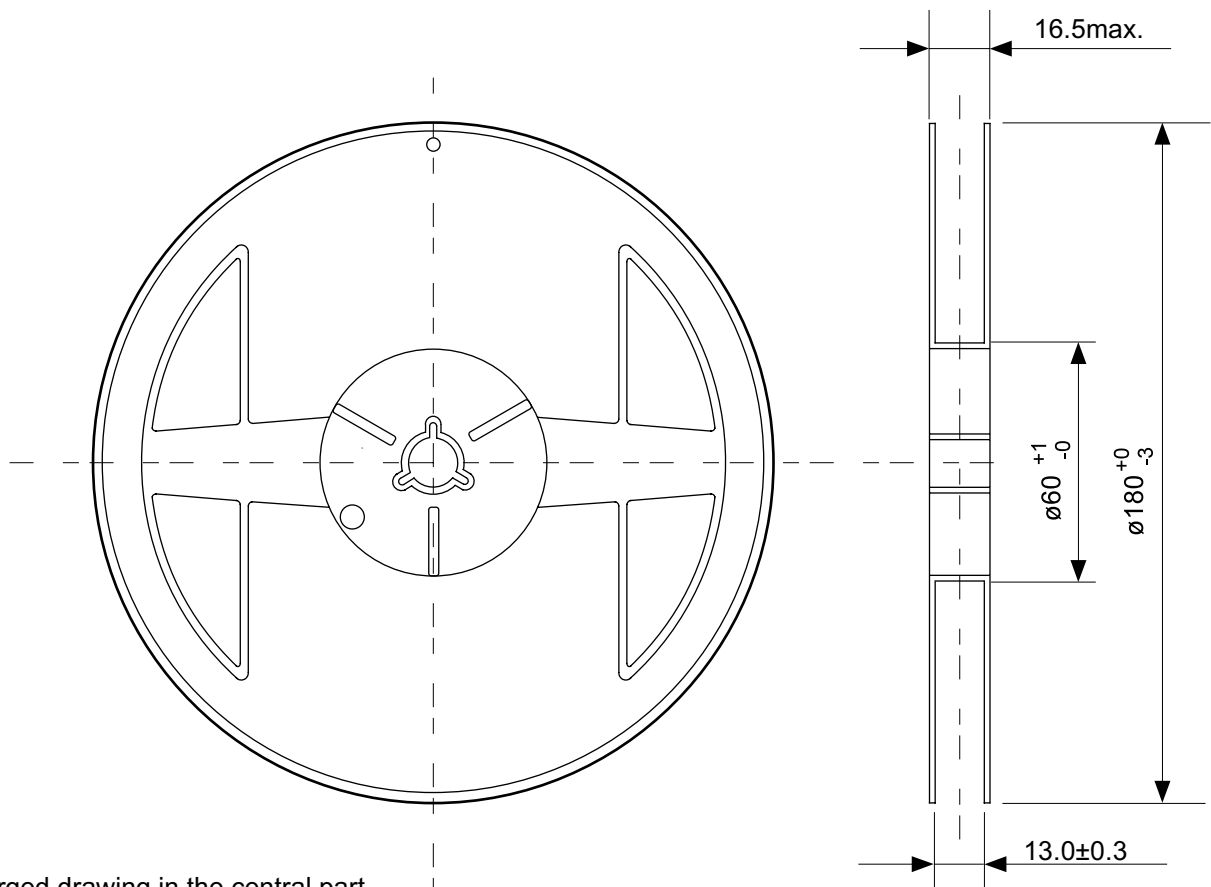
TITLE	SOT895-A-PKG Dimensions
No.	UP005-A-P-SD-1.1
SCALE	
UNIT	mm
Seiko Instruments Inc.	



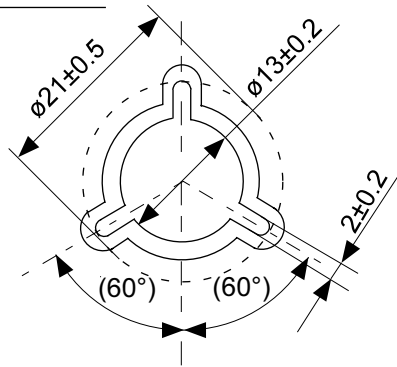
→  
Feed direction

No. UP005-A-C-SD-1.1

TITLE	SOT895-A-Carrier Tape
No.	UP005-A-C-SD-1.1
SCALE	
UNIT	mm
Seiko Instruments Inc.	

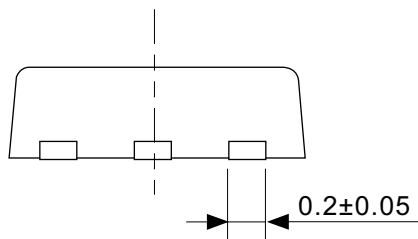
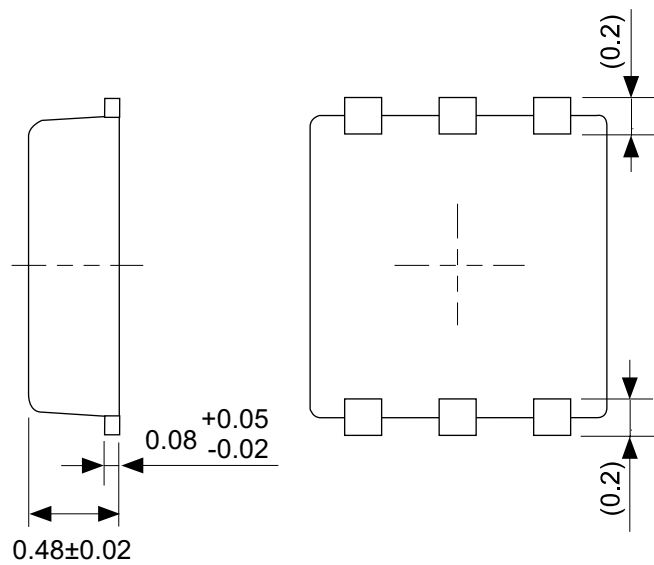
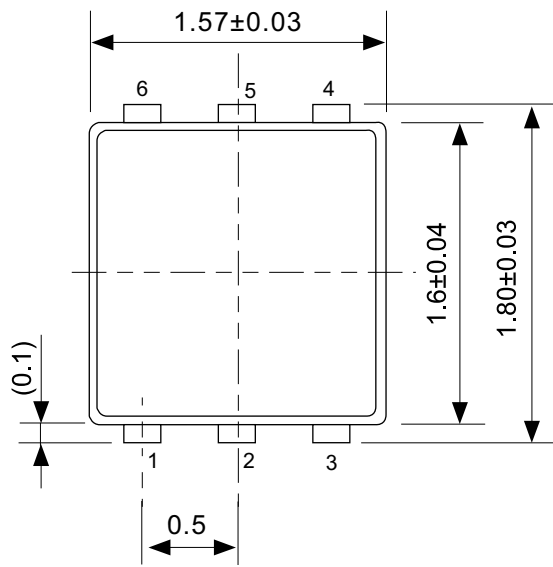


Enlarged drawing in the central part



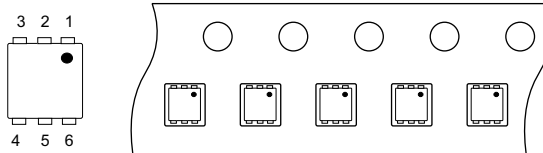
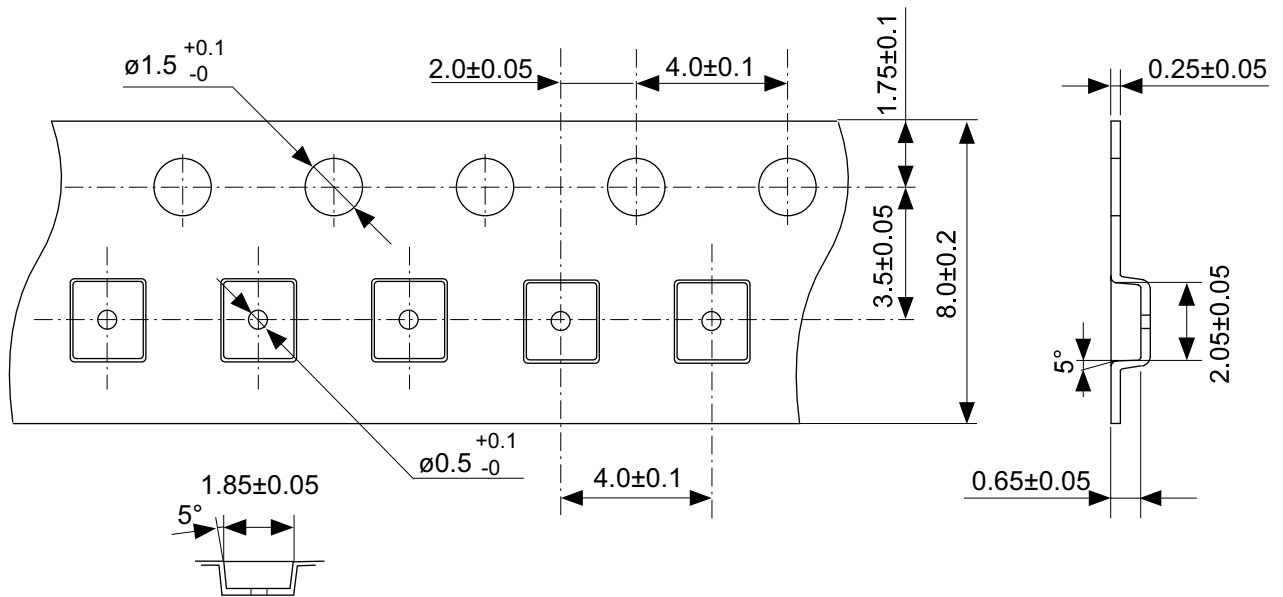
No. UP005-A-R-SD-1.1

TITLE	SOT895-A-Reel		
No.	UP005-A-R-SD-1.1		
SCALE		QTY.	1,000
UNIT	mm		
Seiko Instruments Inc.			



No. PI006-A-P-SD-2.0

TITLE	SNT-6A(H)-A-PKG Dimensions
No.	PI006-A-P-SD-2.0
SCALE	
UNIT	mm
Seiko Instruments Inc.	

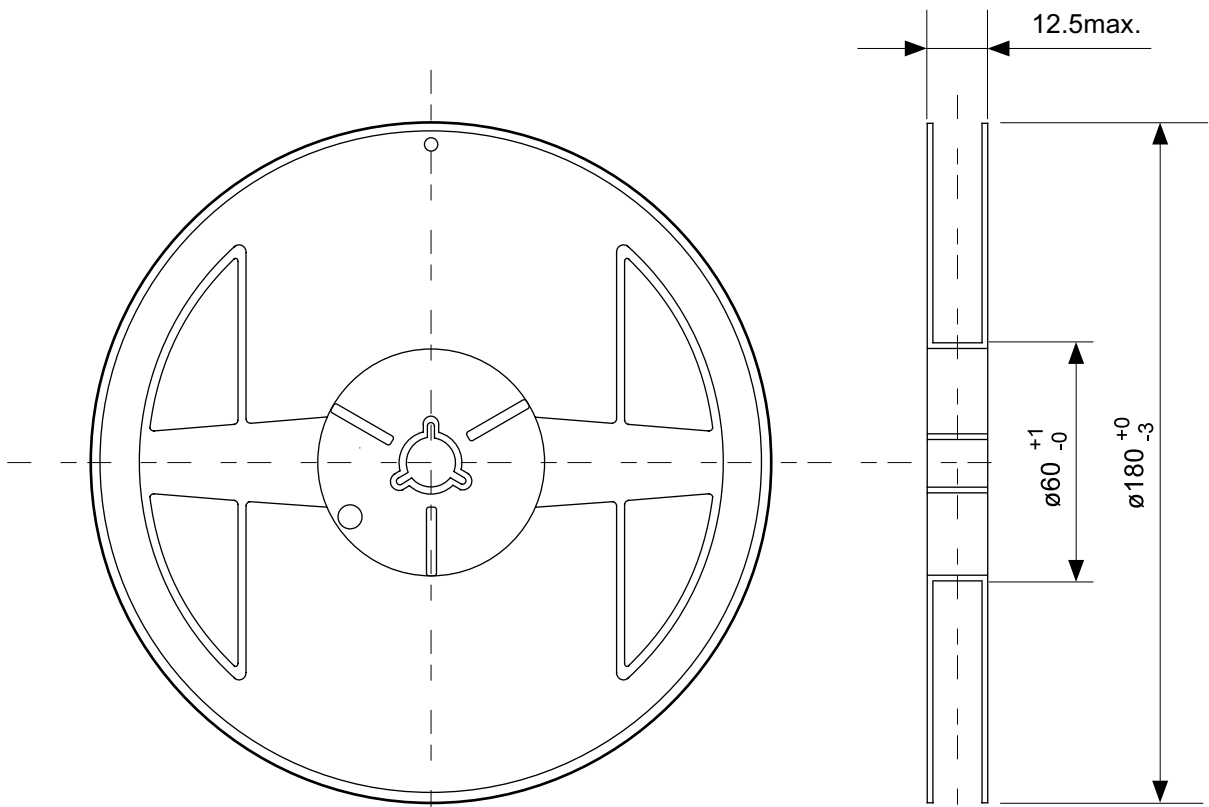


Feed direction →

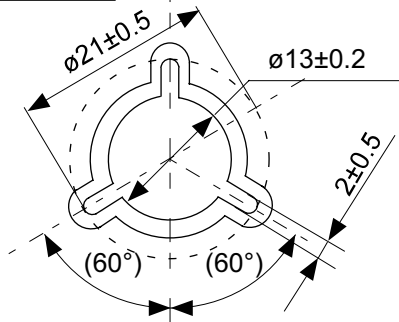
No. PI006-A-C-SD-1.0

TITLE	SNT-6A(H)-A-Carrier Tape
No.	PI006-A-C-SD-1.0
SCALE	
UNIT	mm
Seiko Instruments Inc.	



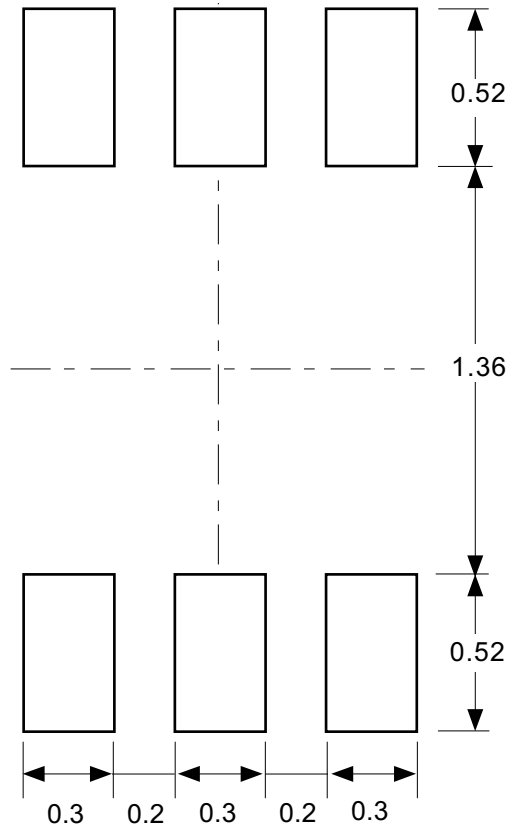


Enlarged drawing in the central part



No. PI006-A-R-SD-1.0

TITLE	SNT-6A(H)-A-Reel		
No.	PI006-A-R-SD-1.0		
SCALE		QTY.	5,000
UNIT	mm		
Seiko Instruments Inc.			



**Caution** Making the wire pattern under the package is possible. However, note that the package may be upraised due to the thickness made by the silk screen printing and of a solder resist on the pattern because this package does not have the standoff.

**注意** パッケージ下への配線パターン形成は可能ですが、本パッケージはスタンドオフが無いので、パターン上のレジスト厚み、シルク印刷の厚みによってパッケージが持ち上がる場合がありますのでご配慮ください。

No. PI006-A-L-SD-3.0

TITLE	SNT-6A(H)-A-Land Recommendation
No.	PI006-A-L-SD-3.0
SCALE	
UNIT	mm
Seiko Instruments Inc.	

- The information described herein is subject to change without notice.
- Seiko Instruments Inc. is not responsible for any problems caused by circuits or diagrams described herein whose related industrial properties, patents, or other rights belong to third parties. The application circuit examples explain typical applications of the products, and do not guarantee the success of any specific mass-production design.
- When the products described herein are regulated products subject to the Wassenaar Arrangement or other agreements, they may not be exported without authorization from the appropriate governmental authority.
- Use of the information described herein for other purposes and/or reproduction or copying without the express permission of Seiko Instruments Inc. is strictly prohibited.
- The products described herein cannot be used as part of any device or equipment affecting the human body, such as exercise equipment, medical equipment, security systems, gas equipment, or any apparatus installed in airplanes and other vehicles, without prior written permission of Seiko Instruments Inc.
- Although Seiko Instruments Inc. exerts the greatest possible effort to ensure high quality and reliability, the failure or malfunction of semiconductor products may occur. The user of these products should therefore give thorough consideration to safety design, including redundancy, fire-prevention measures, and malfunction prevention, to prevent any accidents, fires, or community damage that may ensue.