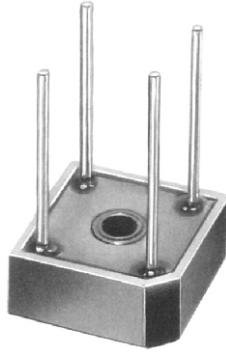


MP15M SERIES

SINGLE-PHASE 15 AMPS. SILICON BRIDGE RECTIFIERS



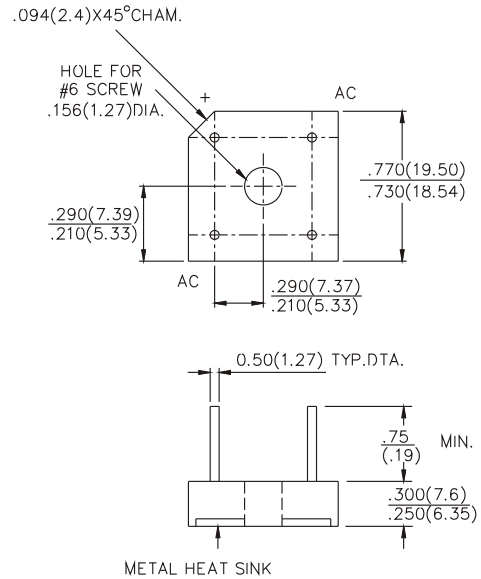
**CHENG-YI
ELECTRONIC**



FEATURES

- 300 Amps Surge capability
- CASE: Molded Plastic with Heatsink Internally Mounted in the Bridge Encapsulation
- Electrically isolated metal case for maximum heat dissipation
- Mounting: thru hole for #6 screw

VOLTAGE RANGE
50 TO 1000 VOLTS PRV
CURRENT
15 Amperes



Dimensions in inches and (millimeters)

MAXIMUM RATINGS AND ELECTRICAL CHARACTERISTICS

Ratings at 25°C ambient temperature unless otherwise specified.
Single phase, half wave, 60Hz, resistive or inductive load.
For capacitive load, derate current by 20%.

| | | MP15005M | MP1501M | MP1502M | MP1504M | MP1506M | MP1508M | MP1510M | UNITS |
|--|------------|-------------|---------|---------|---------|---------|---------|---------|------------------|
| Maximum Recurrent Peak Reverse Voltage | V_{RRM} | 50 | 100 | 200 | 400 | 600 | 800 | 1000 | V |
| Maximum RMS Bridge Input Voltage | V_{RMS} | 35 | 70 | 140 | 280 | 420 | 560 | 700 | V |
| Maximum DC Blocking Voltage | V_{DC} | 50 | 100 | 200 | 400 | 600 | 800 | 1000 | V |
| Maximum Average Forward Output Current @ $T_A=55^\circ\text{C}$ | $V_{(AV)}$ | 15 | | | | | | | A |
| Peak Forward Surge Current 8.3 ms single half sine-wave superimposed on rated load(JEDEC Method) | I_{FSM} | 200 | | | | | | | A |
| Maximum Forward Voltage per Bridge Element MP15 at IF 7.5A | V_F | 1.1 | | | | | | | V |
| Maximum DC Reverse Current at rated @ $T_A=25^\circ\text{C}$ DC Blocking Voltage Per Bridge Element | I_R | 10 | | | | | | | μA |
| Operating Temperature Range | T_J | -55 to +125 | | | | | | | $^\circ\text{C}$ |
| Storage Temperature Range | T_{STG} | -55 to +125 | | | | | | | $^\circ\text{C}$ |

*(Plastic case & Metal base)

MP15M SERIES

SINGLE-PHASE 15 AMPS. SILICON
BRIDGE RECTIFIERS



CHENG-YI
ELECTRONIC

RATING AND CHARACTERISTICS CURVES MP15M SERIES

Fig.1 - MAXIMUM FORWARD SURGE CURRENT

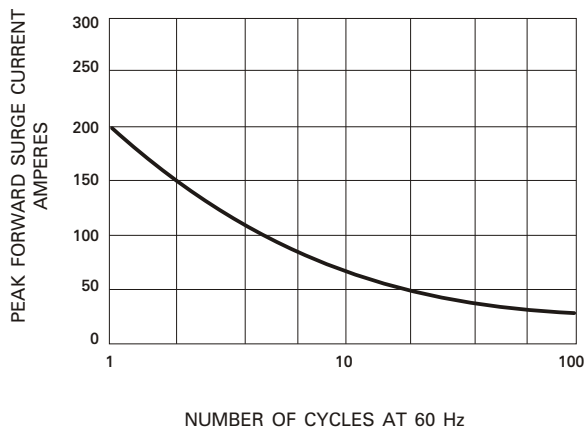


Fig.2 - DERATING CURVE FOR
OUTPUT RECTIFIED CURRENT

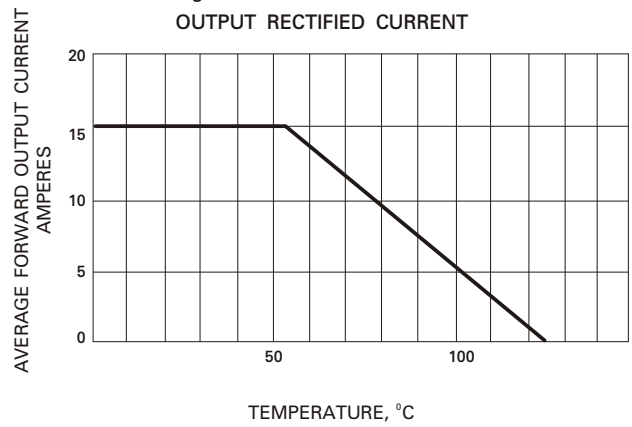


Fig.3 - TYPICAL FORWARD
CHARACTERISTICS

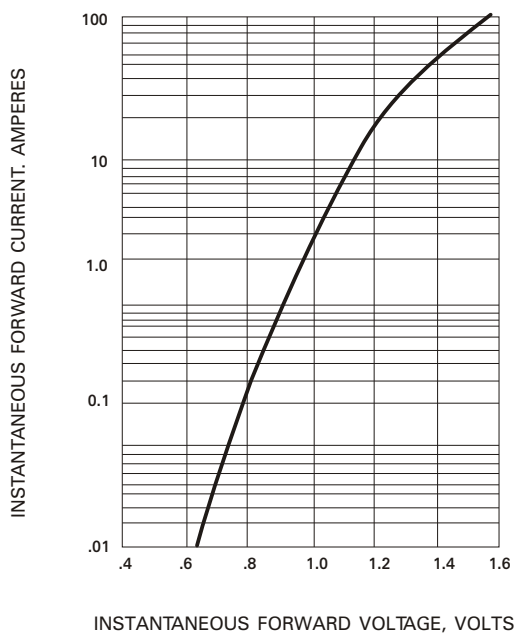


Fig.4 - TYPICAL REVERSE
CHARACTERISTICS

