



Product Preview

SMARTMOS[®]

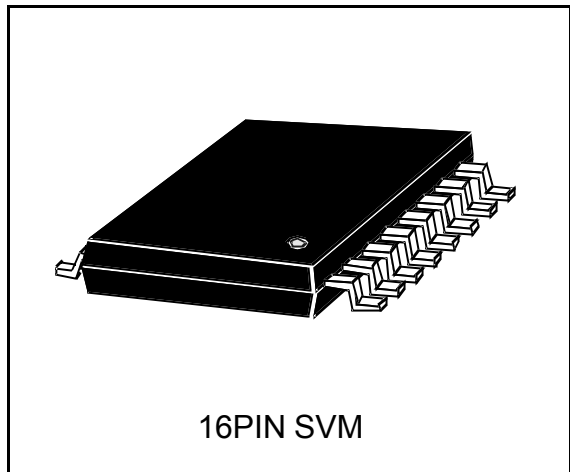
1 Channel H-Bridge Driver IC

MPC17511 is a monolithic type SMOS5AP SMARTMOS IC built in 1channel H-Bridge Driver constituted LDMOSFET, input section can be directly interfaced from the MCU.

This IC can control 4 mode output function (Forward, Reverse, Brake, Open) by input logic.

This IC can drive various type of micro motor and low loss.

MPC17511

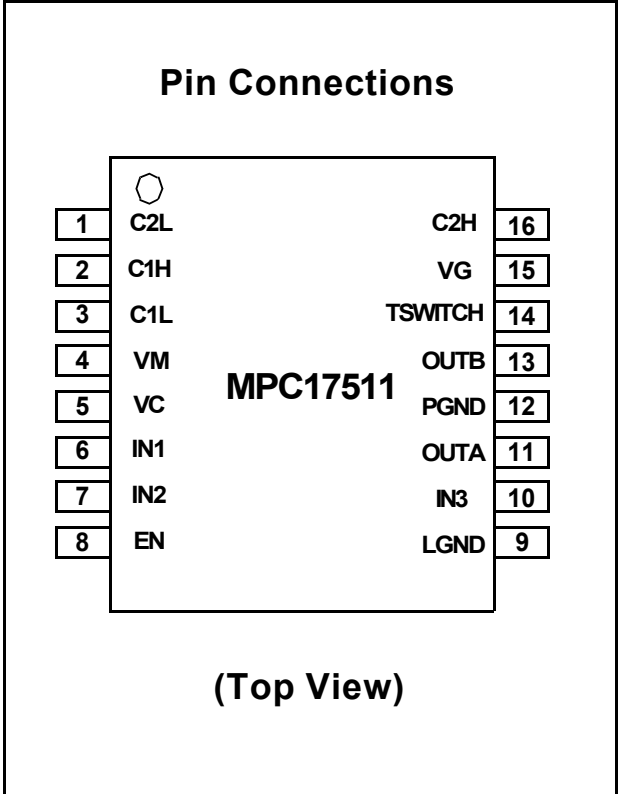


16PIN SVM

Freescale Semiconductor, Inc.

Features

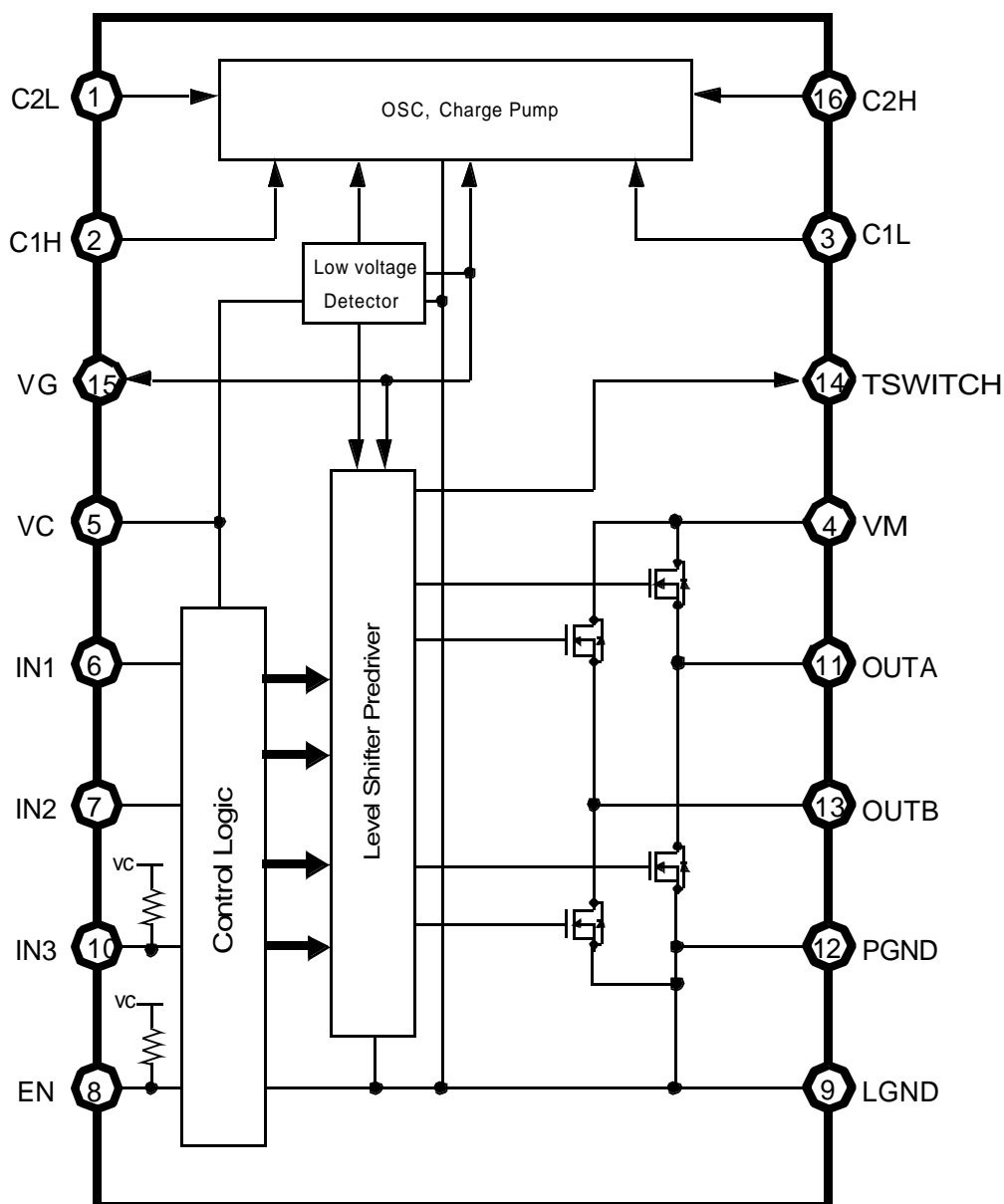
- Manufactured by SMOS5AP process technology
- Built in 1 Channel Circuit of H-Bridge Driver
- Built in Charge-pump Circuit
- 4 Mode Drive(Forward, Reverse, Brake, Open)
- Direct Interface from the MCU
- Low ON-Resistance Ron=0.6 ohm(Max.)
- IDR=1.0A (Cont.)
- Low Consumption Power
- Built in Shoot Through Current Prevention Circuit
- Built in Low Voltage Shutdown Circuit
- PWM Control frequency 200kHz(Max.)
- Comes in 16-pin VMFP (pin pitch : 0.65mm)



*SMARTMOS is a registered trademark of Motorola Inc.

*Specifications in this data sheet may be changed without prior notice.

Block Diagram



*Each GND pin are connected by Metal.

Function Table

Z : High impedance X : Don't care

EN	IN1	IN2	IN3	OUTA	OUTB	TSWITCH
H	H	H	X	L	L	X
H	H	L	X	H	L	X
H	L	H	X	L	H	X
H	L	L	X	Z	Z	X
L	X	X	X	L	L	L
H	X	X	H	X	X	L
H	X	X	L	X	X	H

Maximum Ratings *1

Rating	Symbol	Min.	Max.	Unit
Driver Circuit Power Supply Voltage	VM	- 0.5	8.0	V
Pre-Driver Circuit Power Supply Voltage	VG	- 0.5	14.0	V
Control Circuit Power Supply Voltage	VC	- 0.5	7.0	V
Signal Input Voltage	VIN	- 0.5	VC+0.5	V
Driver Output Current (continuous)	IDR	---	1.0	A
Driver Output Current (pulsed) *2	IDRp	---	3.0	A
Operating Junction Temperature	Tj	- 55	150	degC
Storage Temperature Range	Tstg	---	150	degC
Thermal Resistance *3	Rθja	150		deg./W
Power Dissipation *4	PD	---	830	mW

- *1) Device may be damaged when used over the ratings.
- *2) Ta=25C, Peak time is within 10ms at intervals 0.2seconds.
- *3) 37 X 50 X 1.6[mm] glass EPOXY Board mount.
- *4) Ta=25C

Recommended Operating Condition

Characteristics	Symbol	Min.	Typ.	Max.	Unit
Driver Circuit Power Supply Voltage	VM	2.0	5.0	6.8	V
Control Circuit Power Supply Voltage	VC	2.7	5.0	5.7	V
Signal Input Voltage	VIN	0	---	VC	V
Pulse Input Frequency	FIN	---	---	200	kHz
Input Pulse Rise Time	TR	---	---	1.0	us
Input Pulse Fall Time	TF	---	---	1.0	us
Operating Ambient Temperature	Topr	-20	25	65	°C
Capacitor for Charge Pump	C1,C2,C3	0.01	0.1	1.0	uF
Pre-Driver Circuit Power Supply Voltage	VG	12	13	13.5	V

DC CHARACTERISTICS (Ta=25C, VC=VM=5.0V, GND=0V)

Characteristics	Symbol	Min.	Typ.	Max.	Unit	Test circuit	
Quiescent Power Supply Current							
Driver Circuit Power Supply Current	IMO	---	---	1.0	uA	A	*1
Control Circuit Power Supply Current	ICO	---	---	1.0	mA		
Active Power Supply Current							
Control Circuit Power Supply Current	IC	---	---	3.0	mA	G	*2
Pre-Driver Circuit Power Supply Current	IG	---	---	0.7	mA		
Logic Input Function							
High Level Input Voltage	VIH	VCx0.7	---	---	V	B	*3
Low Level Input Voltage	VIL	---	---	VCx0.3	V		
High Level Input Current	IIH	---	---	1.0	uA		
Low Level Input Current	IIL	- 1.0	---	---	uA		
Driver Output ON Resistance	RON	---	0.46	0.60	ohm	D	*4
Pullup Resistance (EN,IN3)	Rup	50	100	200	kohm		
Charge-pump Output Voltage	VG	12	12.8	13	V	C	*5
Charge-pump Output Voltage (IG=-1mA)	VGload	10	11.2	---	V	E	
Low Voltage Detection Circuit							
Detection Voltage	VCDET	1.5	2.0	2.5	V	F	*6
TSWITCH OUT							
IOUT=-50uA	VOH	VG-0.5	VG-0.1	VG	V	B	
IIN=50uA	VOL	LGND	LGND+0.1	LGND+0.5	V		

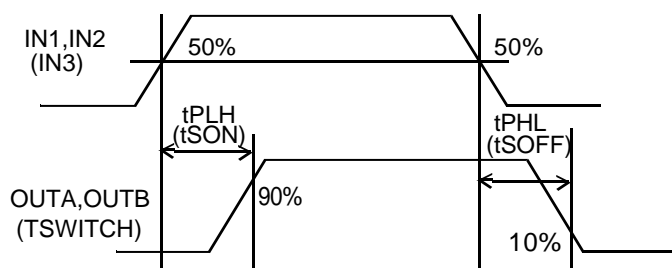
*1) ICO includes current to the pre-driver circuit.
 *2) IC includes current to the pre-driver circuit. IC:Fin100kHz. IG:Fin20kHz.
 *3) 2.7V < VC < 5.7V *4) IDR=1.0[A] source+sink *5) When no input logic signal.
 *6) Detection voltage is defined output become High-impedance when VC voltage is dropped.
 When the gate voltage VG is applied from an external source, VG=7.5[V]

AC CHARACTERISTICS (Ta=25C, VC=VM=5.0V, GND=0V)

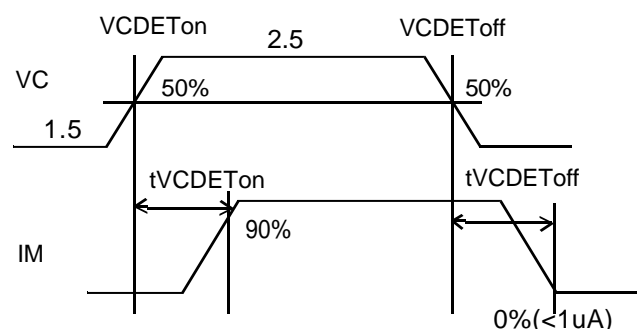
Characteristics	Symbol	Min.	Typ.	Max.	Unit	Test circuit	
Output Propagation Delay Time							
Turn-ON time	tPLH	---	0.1	0.5	us	D	
Turn-Off time	tPHL	---	0.1	0.5	us		
TSWITCH Propagation Delay Time							
Turn-ON time	tSON	---	0.15	0.5	us	C2	
Turn-Off time	tSOFF	---	0.15	0.5	us		
Charge-pump Circuit							
Rise time	tVGON	---	1.0	3.0	ms	C	*1
Low Voltage Detection Circuit							
Detection time	tVCDET	---	---	10	ms	F	

*1) When C1=C2=C3=0.1[uF]

tPLH,tPHL (tSON,tSOFF)Timing Chart



tVCDET Timing Chart



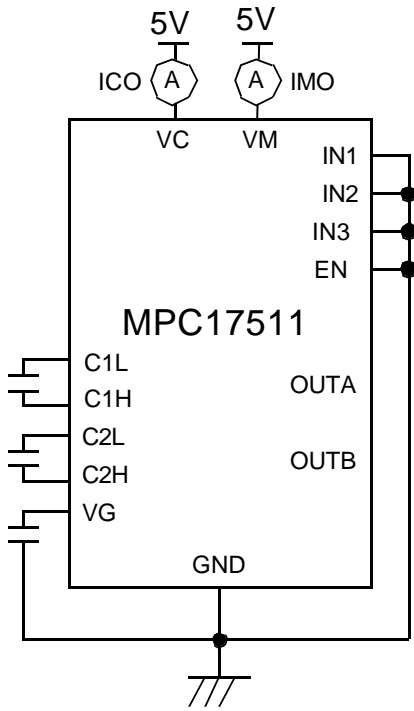
Freescale Semiconductor, Inc.

Pin Description

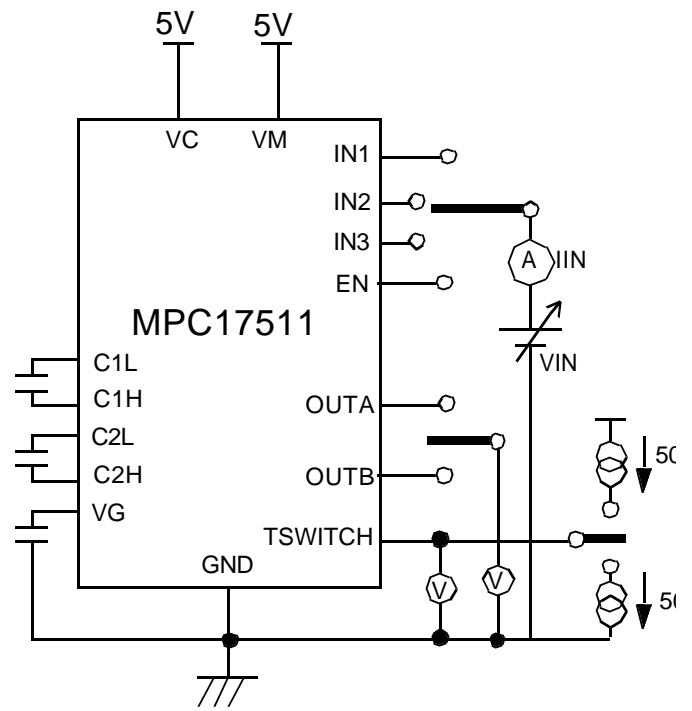
Symbol	PIN No.	Simplified Circuit Schematic	Function
VC	5		Control Circuit Power Supply Pin
VM	4		Driver Power Supply Voltage Input Pin
OUTA	11		Driver Output Pin
OUTB	13		Driver Output Pin
TSWITCH	14		Output pin of step-up voltage
C1L	3		These pins connect to charge pump capacitors. (Negative pole)
C2L	1		
C1H	2		These pins connect to charge pump capacitors. (Positive pole)
C2H	16		
VG	15		
IN1	6		Control Signal Input Pin 1
IN2	7		Control Signal Input Pin 2
EN	8		Enable Control Signal Input Pin
IN3	10		Control Signal Input Pin 3 for TSWITCH
LGND	9	Logic GND Pin	
PGND	12	Driver GND Pin	

Test Circuit

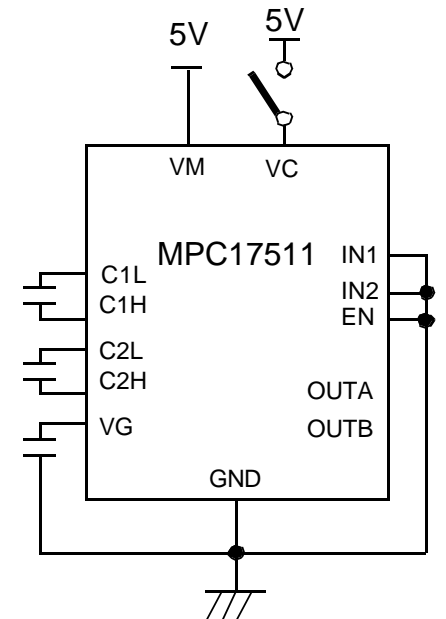
Capacitor for charge pump (C1,C2.C3)= 0.1[μ F]



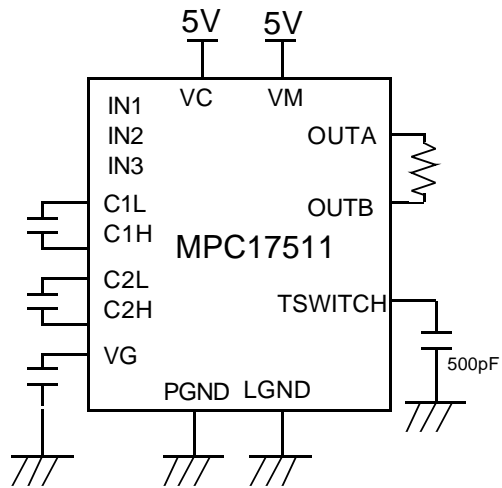
Test Circuit A



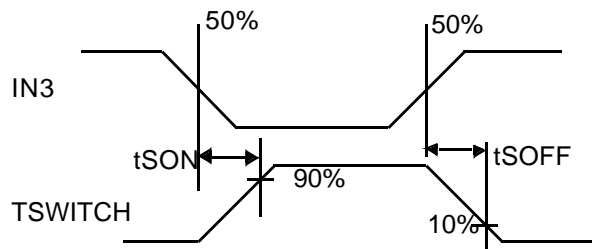
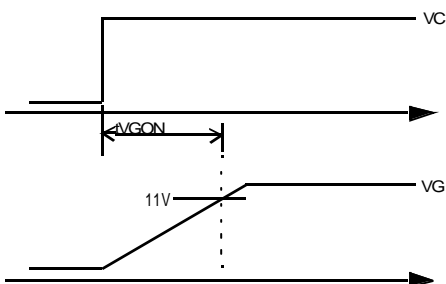
Test Circuit B



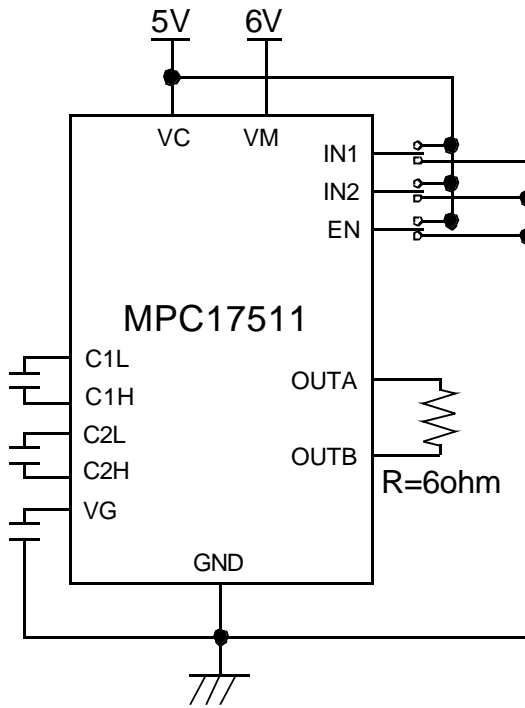
Test Circuit C



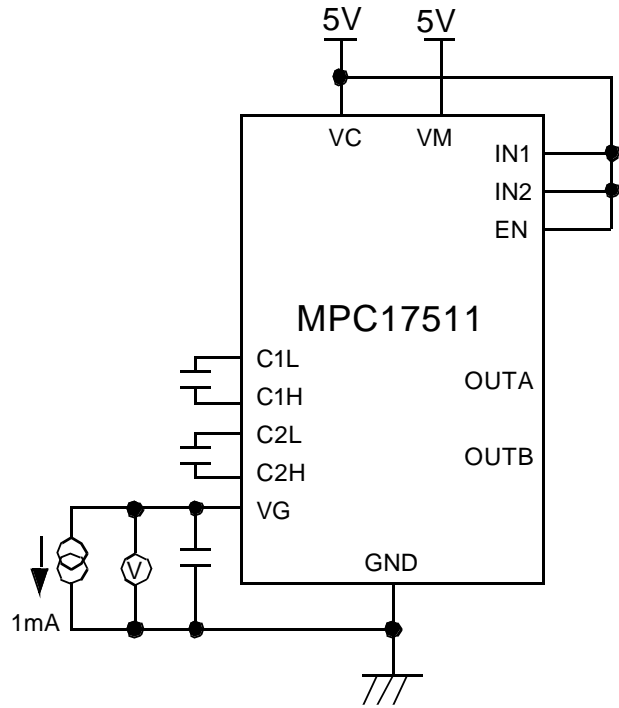
Test Circuit C2



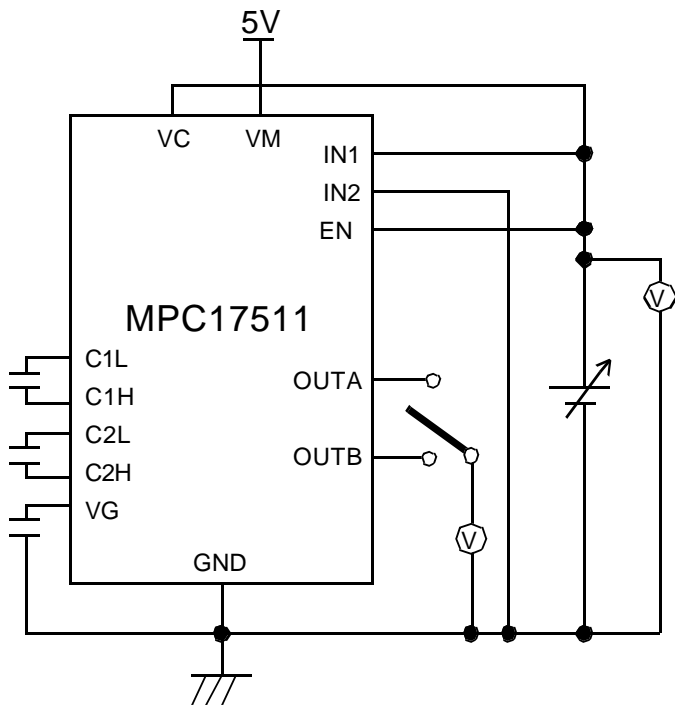
Capacitor for charge pump (C1,C2.C3)= 0.1[uF]



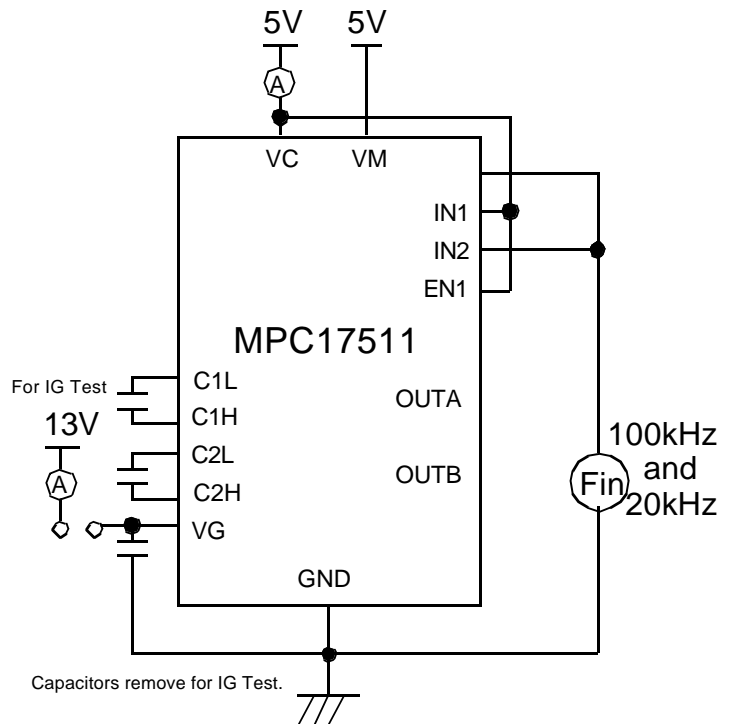
Test Circuit D



Test Circuit E



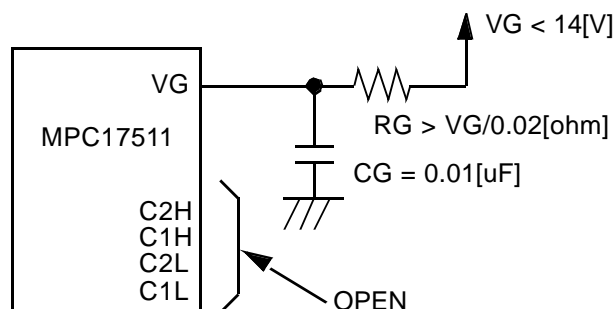
Test Circuit F



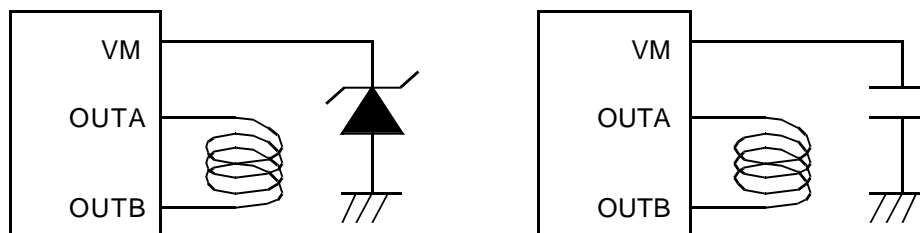
Test Circuit G

Precautions on Application

- (1) When applying the gate voltage V_G from an external source, be sure to connect it via a resistor equal to or greater than $R_G = V_G / 0.02$ [ohm]. However, this resistance is unnecessary if you are connecting a charge pump output from a SMARTMOS product.



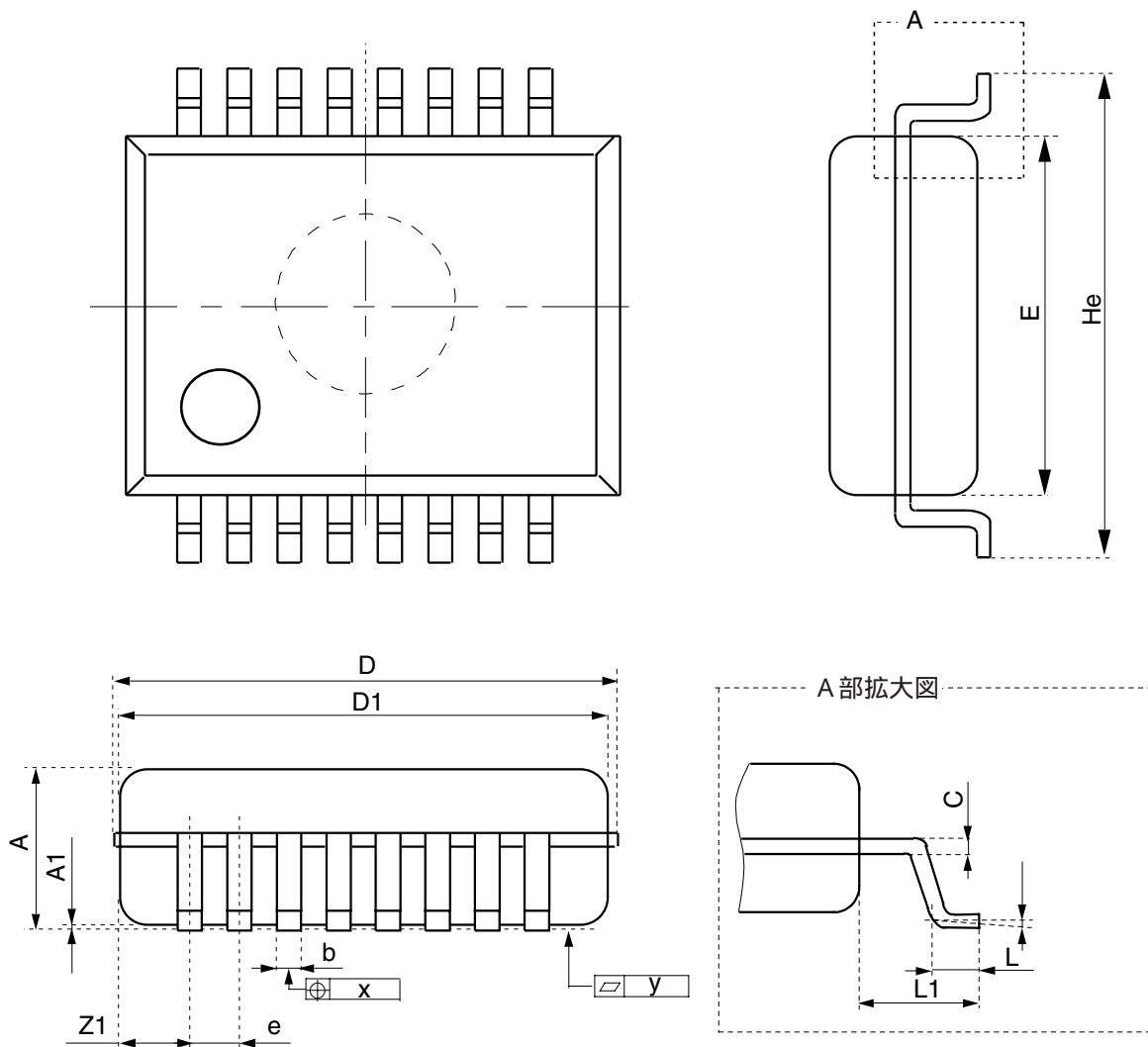
- (2) Switching from the state of active current loading to high-impedance mode, inductance load and P.C.B. layout may induce over maximum ratings to a power supply pin. Zener diode or capacitor at VM pin will protect kick back voltage (it depends on the inductance load). The schottky diode at output pin will also protect it.



- (3) Connect a capacitor of sufficient capacitance between the power supply and ground pins. For all large-current paths, use sufficiently wide copper conductor patterns and route them in the shortest distance possible.

- (4) When using SMARTMOS products in your circuit design, make sure they are fully protected against static charge.

16ピン SVMFP 外形寸法図



	SPEC		
	MIN	TYP	MAX
A	*****	1.95	2.05
A1	0.10	0.15	0.20
b	0.25	0.30	0.35
C	0.18	0.20	0.25
D	*****	5.45 MAX	
D1	5.20	5.25	5.30
e	0.60	0.65	0.70
E	5.25	5.30	5.35
He	7.70	7.90	8.10
L	0.45	0.60	0.75
L1	1.20	1.30	1.40
x	*****	*****	0.12
y	0.05		
Z1	0.25	0.35	0.47
	0.0 °	4.0 °	9.8 °

当社は、本書に記載した製品について、予告なく変更を加える権限を保有しています。
当社はここに記載した製品、回路の適用、使用に起因するいかなる責務を負うものではなく、また、当社の特許権または第三者の権利に基づくライセンスを許諾するものでもありません。当社の製品は、外科的に人体に移植することを意図したシステムの構成部品として、または、他の生命維持を意図した用途に、または、当社の製品の不具合により人体に危害を加えたり死に至らしめるかもしれない状況が発生するような用途に使用するために、設計、意図または許可されているものではありません。購入者が万一このような意図または許可されていない用途のために当社の製品を購入あるいは使用する場合は、購入者は当社およびその役員、従業員、子会社、関連会社、代理店に対し、直接または間接を問わず、当該使用に関連した傷害や死についてのすべての申し立て（たとえば、当社が部品の設計や製造において不注意であったという主張であったとしても）から生ずるすべての請求、費用、損害、および相当の弁護士費用を補償し、被害が及ばないようにするものとします。