



MPSA92/93

PNP SILICON TRANSISTOR

HIGH VOLTAGE PNP TRANSISTOR

DESCRIPTION

The UTC **MPSA92/93** are high voltage PNP transistors, designed for telephone signal switching and for high voltage amplifier.

FEATURES

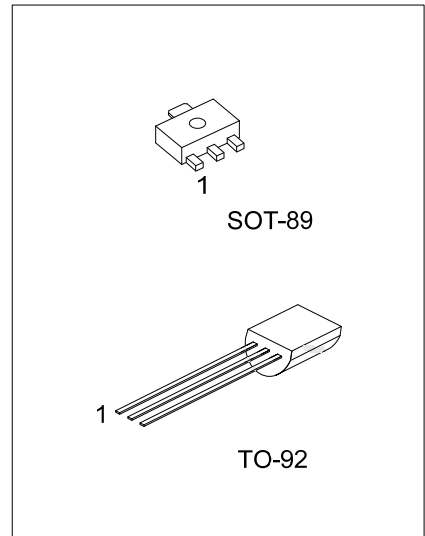
* High Collector-Emitter voltage:

– $V_{CE0} = -300V$ (UTC **MPSA92**)

– $V_{CE0} = -200V$ (UTC **MPSA93**)

* Collector Dissipation:

– $P_C(max) = 625mW$



ORDERING INFORMATION

Ordering Number		Package	Pin Assignment			Packing
Lead Free	Halogen Free		1	2	3	
MPSA92L-AB3-R	MPSA92G-AB3-R	SOT-89	B	C	E	Tape Reel
MPSA93L-AB3-R	MPSA93G-AB3-R	SOT-89	B	C	E	Tape Reel
MPSA92L-T92-B	MPSA92G-T92-B	TO-92	E	B	C	Tape Box
MPSA92L-T92-K	MPSA92G-T92-K	TO-92	E	B	C	Bulk
MPSA92L-T92-R	MPSA92G-T92-R	TO-92	E	B	C	Tape Reel
MPSA93L-T92-B	MPSA93G-T92-B	TO-92	E	B	C	Tape Box
MPSA93L-T92-K	MPSA93G-T92-K	TO-92	E	B	C	Bulk
MPSA93L-T92-R	MPSA93G-T92-R	TO-92	E	B	C	Tape Reel

Note: Pin Assignment: B: Base C: Collector E: Emitter

<p>MPSA92L-AB3-R</p> <p>(1) Packing Type</p> <p>(2) Package Type</p> <p>(3) Lead Free</p>	<p>(1) B: Tape Box, K: Bulk, R: Tape Reel</p> <p>(2) AB3: SOT-89, T92: TO-92</p> <p>(3) G: Halogen Free, L: Lead Free</p>
---	---

■ ABSOLUTE MAXIMUM RATING ($T_A=25^{\circ}\text{C}$ unless otherwise specified)

PARAMETER		SYMBOL	RATINGS	UNIT
Collector-Base Voltage	MPSA92	V_{CBO}	-300	V
	MPSA93		-200	V
Collector-Emitter Voltage	MPSA92	V_{CEO}	-300	V
	MPSA93		-200	V
Emitter-Base Voltage		V_{EBO}	-5	V
Collector Current		I_C	-500	mA
Collector Dissipation	SOT-89	P_C	1	W
	TO-92		1.5	W
Junction Temperature		T_J	150	$^{\circ}\text{C}$
Storage Temperature		T_{STG}	-55~ +150	$^{\circ}\text{C}$

Note: Absolute maximum ratings are those values beyond which the device could be permanently damaged.

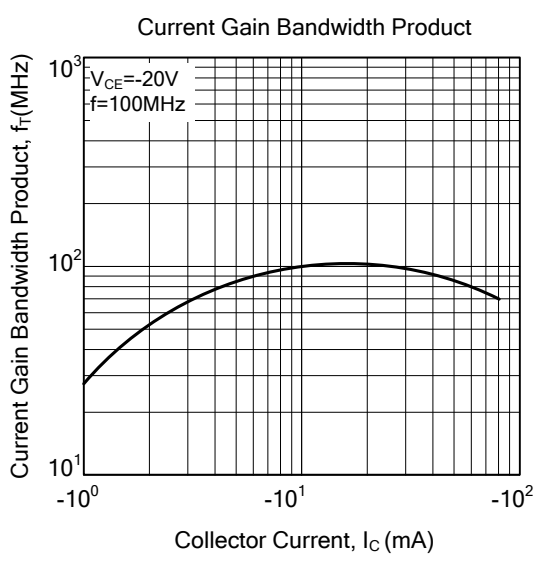
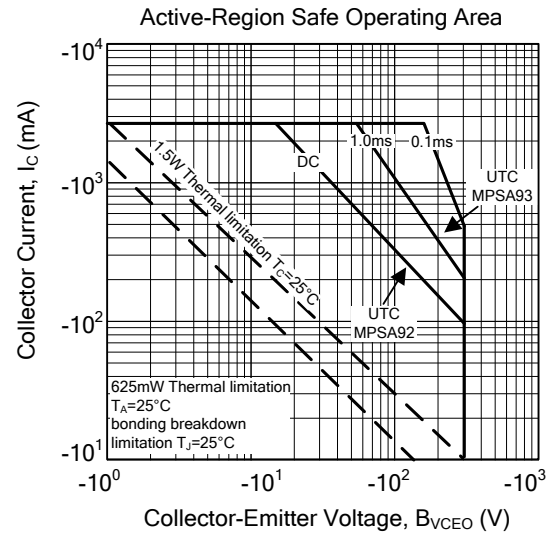
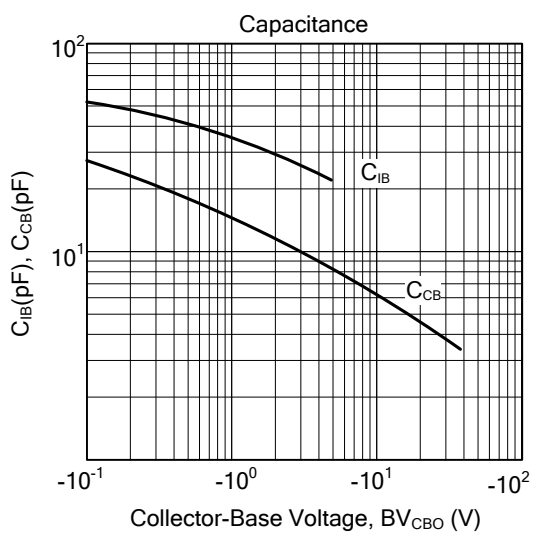
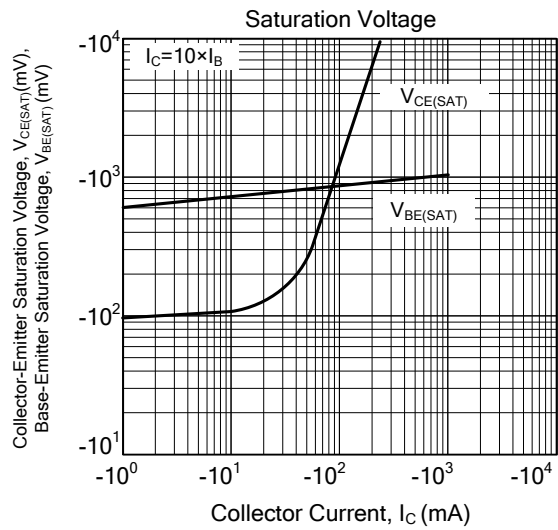
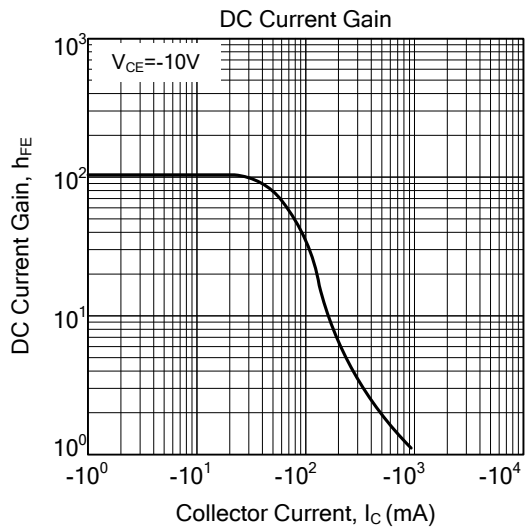
Absolute maximum ratings are stress ratings only and functional device operation is not implied.

■ ELECTRICAL CHARACTERISTICS ($T_A=25^{\circ}\text{C}$, unless otherwise specified)

PARAMETER		SYMBOL	TEST CONDITIONS	MIN	TYP	MAX	UNIT
OFF CHARACTERISTICS							
Collector-Base Breakdown Voltage	MPSA92	BV_{CBO}	$I_C=-100\mu\text{A}, I_E=0$	-300			V
	MPSA93			-200			V
Collector-Emitter Breakdown Voltage	MPSA92	BV_{CEO}	$I_C=-1\text{mA}, I_B=0$	-300			V
	MPSA93			-200			V
Emitter-Base Breakdown Voltage		BV_{EBO}	$I_E=-100\mu\text{A}, I_C=0$	-5			V
Collector Cut-Off Current	MPSA92	I_{CBO}	$V_{CB}=-200\text{V}, I_E=0$			-0.25	μA
	MPSA93					-0.25	μA
Emitter Cut-Off Current		I_{EBO}	$V_{EB}=-3\text{V}, I_C=0$			-0.10	μA
ON CHARACTERISTICS							
DC Current Gain(note)		h_{FE}	$V_{CE}=-10\text{V}, I_C=-1\text{mA}$ $V_{CE}=-10\text{V}, I_C=-10\text{mA}$ $V_{CE}=-10\text{V}, I_C=-30\text{mA}$	60			
				80			
				80			
Collector-Emitter Saturation Voltage		$V_{CE(SAT)}$	$I_C=-20\text{mA}, I_B=-2\text{mA}$			-0.5	V
Base-Emitter Saturation Voltage		$V_{BE(SAT)}$	$I_C=-20\text{mA}, I_B=-2\text{mA}$			-0.90	V
SMALL SIGNAL CHARACTERISTICS							
Current Gain Bandwidth Product		f_T	$V_{CE}=-20\text{V}, I_C=-10\text{mA}, f=100\text{MHz}$	50			MHz
Output Capacitance	MPSA92	C_{ob}	$V_{CB}=-20\text{V}, I_E=0, f=1\text{MHz}$			6	pF
	MPSA93					8	pF

Note: Pulse test: $P_W < 300\mu\text{s}$, Duty Cycle $< 2\%$, $V_{CE(SAT)} < 200\text{mV}$

TYPICAL CHARACTERISTICS



UTC assumes no responsibility for equipment failures that result from using products at values that exceed, even momentarily, rated values (such as maximum ratings, operating condition ranges, or other parameters) listed in products specifications of any and all UTC products described or contained herein. UTC products are not designed for use in life support appliances, devices or systems where malfunction of these products can be reasonably expected to result in personal injury. Reproduction in whole or in part is prohibited without the prior written consent of the copyright owner. The information presented in this document does not form part of any quotation or contract, is believed to be accurate and reliable and may be changed without notice.