



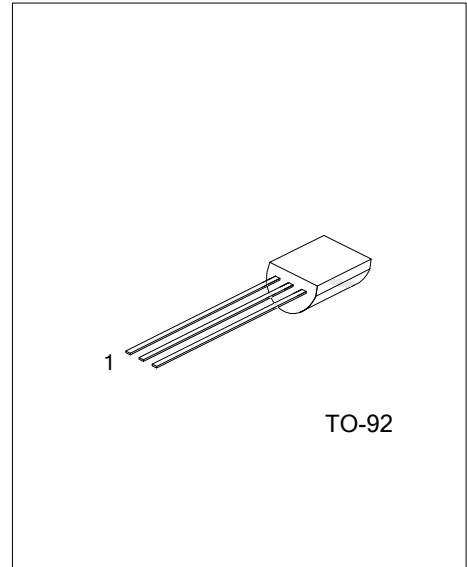
MPSH10

NPNEPITAXIAL SILICON TRANSISTOR

RF TRANSISTOR

■ DESCRIPTION

The UTC **MPSH10** is desinged for using as VHF and UHF oscillators and VHF Mixer in a tuner of a TV receiver.



■ ORDERING INFORMATION

Ordering Number			Package	Pin Assignment			Packing
Normal	Lead Free	Halogen Free		1	2	3	
MPSH10-x-T92-B	MPSH10L-x-T92-B	MPSH10G-x-T92-B	TO-92	E	B	C	Tape Box
MPSH10-x-T92-K	MPSH10L-x-T92-K	MPSH10G-x-T92-K	TO-92	E	B	C	Bulk

Note: Pin assignment: E: EMITTER, C: COLLECTOR, B: BASE

<p>MPSH10L-x-T92-B</p> <p>(1)Packing Type (2)Package Type (3)Rank (4)Lead Free</p>	<p>(1) B: Tape Box, K: Bulk (2) T92: TO-92 (3) x: refer to Classification of h_{FE} (4) G: Halogen Free, L: Lead Free, Blank: Pb/Sn</p>
--	--

■ ABSOLUTE MAXIMUM RATING (Ta=25°C, unless otherwise specified)

PARAMETER	SYMBOL	RATINGS	UNIT
Collector-Base Voltage	V _{CB0}	30	V
Collector-Emitter Voltage	V _{CEO}	25	V
Emitter-Base Voltage	V _{EBO}	3	V
Total Power Dissipation	P _C	350	mW
Collector Current	I _C	50	mA
Junction Temperature	T _J	150	°C
Storage Temperature	T _{STG}	-55 ~ +150	°C

Note: 1. Absolute maximum ratings are those values beyond which the device could be permanently damaged. Absolute maximum ratings are stress ratings only and functional device operation is not implied.

■ ELECTRICAL CHARACTERISTICS (Ta=25°C, unless otherwise specified)

PARAMETER	SYMBOL	TEST CONDITIONS	MIN	TYP	MAX	UNIT
Collector-Base Breakdown Voltage	BV _{CB0}	I _C =100μA	30			V
Collector-Emitter Breakdown Voltage	BV _{CEO}	I _C =1mA	25			V
Emitter-Base Breakdown Voltage	BV _{EBO}	I _E =10μA			3	V
Collector Cut-Off Current	I _{CBO}	V _{CB} =25V			100	nA
Emitter Cut-Off Current	I _{EBO}	V _{EB} =2V			100	nA
Collector-Emitter Saturation Voltage	V _{CE(SAT)}	I _C =4mA, I _B =400μA			500	mV
Base-Emitter On Voltage	V _{BE(ON)}	V _{CE} =10V, I _C =4mA			950	mV
DC Current Gain	h _{FE}	V _{CE} =10V, I _C =4mA	60			
Output Capacitance	C _{OB}	V _{CB} =10V, f=1MHZ			0.7	pF
Current Gain Bandwidth Product	f _T	V _{CE} =10V, I _C =4mA, f=100MHZ	650			MHZ

■ CLASSIFICATION OF h_{FE}

RANK	A	B	C
RANGE	60-100	90-130	120 -200

■ TEST CIRCUIT

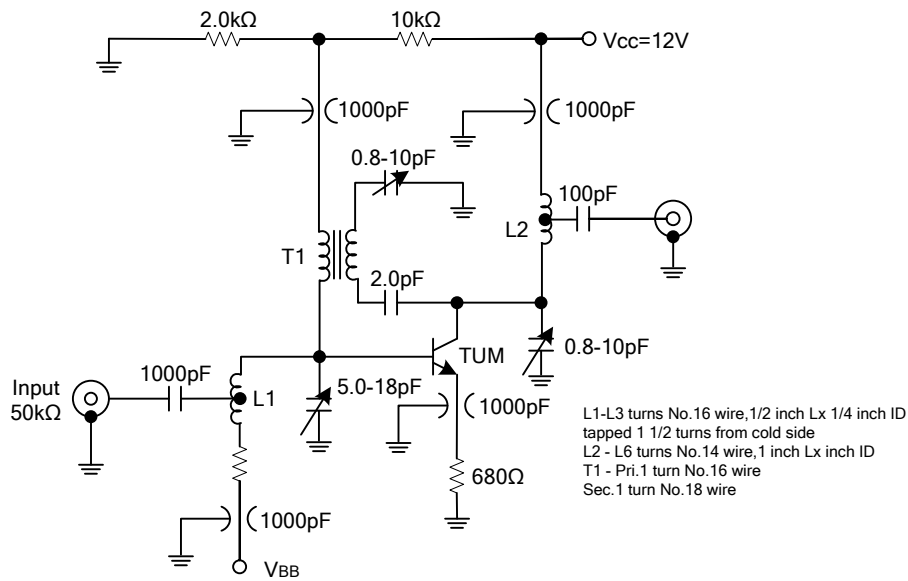


Figure 1. Neutralized 200 MHz PG and NF Circuit

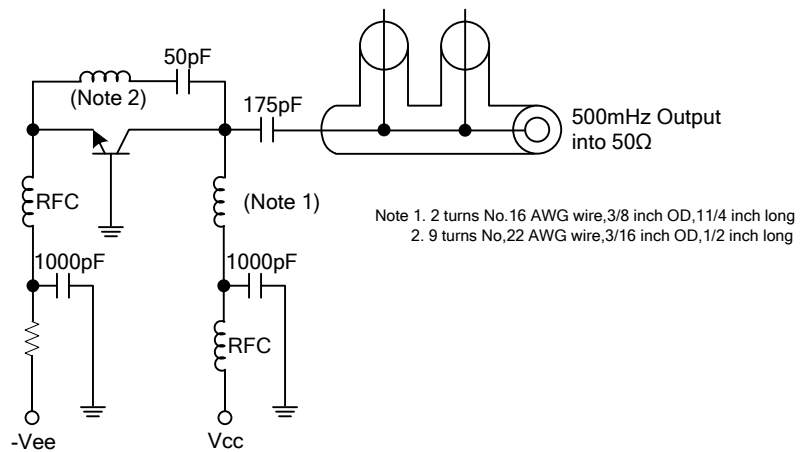


Figure 2. 500 MHz Oscillator Circuit

■ TEST CIRCUIT(Cont.)

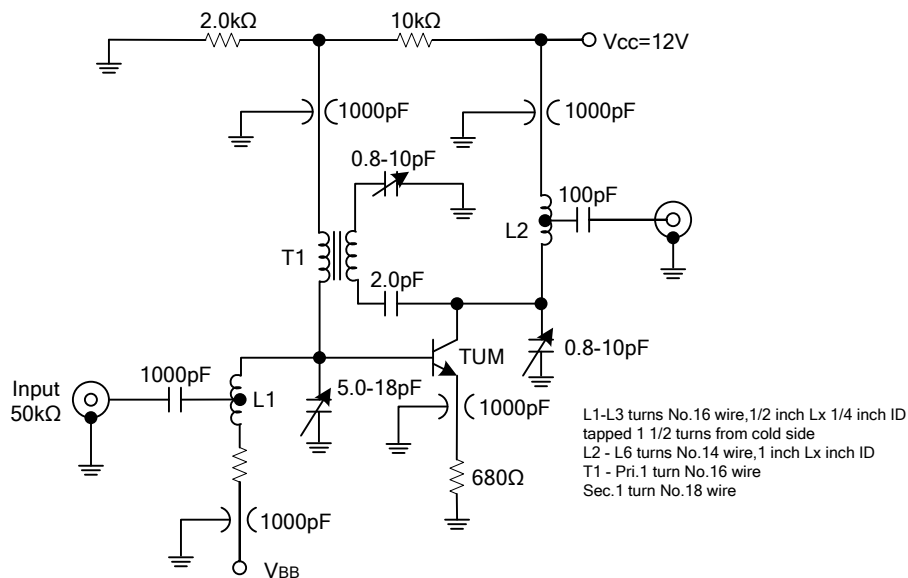


Figure 1. Neutralized 200 MHz PG and NF Circuit

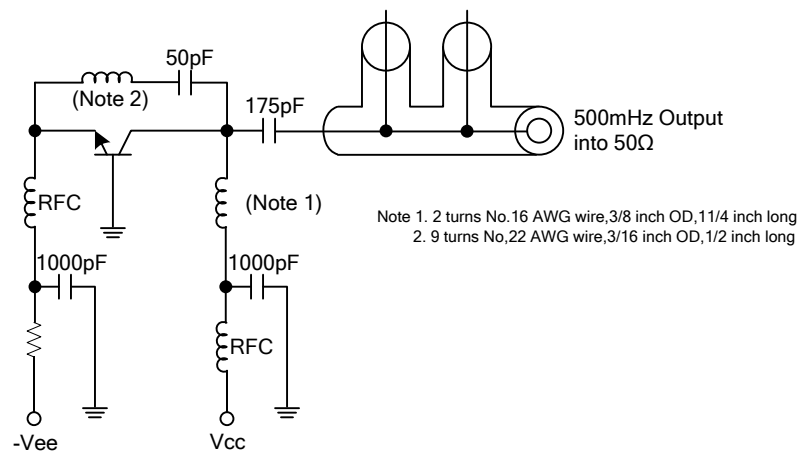


Figure 2. 500 MHz Oscillator Circuit

UTC assumes no responsibility for equipment failures that result from using products at values that exceed, even momentarily, rated values (such as maximum ratings, operating condition ranges, or other parameters) listed in products specifications of any and all UTC products described or contained herein. UTC products are not designed for use in life support appliances, devices or systems where malfunction of these products can be reasonably expected to result in personal injury. Reproduction in whole or in part is prohibited without the prior written consent of the copyright owner. The information presented in this document does not form part of any quotation or contract, is believed to be accurate and reliable and may be changed without notice.