



10 kPa Uncompensated Silicon Pressure Sensors

The MPXL10 series device is a silicon piezoresistive pressure sensor providing a very accurate and linear voltage output — directly proportional to the applied pressure. This standard, low cost, uncompensated sensor permits manufacturers to design and add their own external temperature compensating and signal conditioning networks. Compensation techniques are simplified because of the predictability of Motorola's single element strain gauge design.

Features

- Low Profile Package
- Low Cost
- Patented Silicon Shear Stress Strain Gauge Design
- Ratiometric to Supply Voltage
- Easy to Use Chip Carrier Package Options
- Differential and Gauge Options
- Available in Unibody Package (see MPX10 Series Data Sheet)

Application Examples

- Air Movement Control
- Environmental Control Systems
- Level Indicators
- Leak Detection
- Medical Instrumentation
- Industrial Controls
- Pneumatic Control Systems
- Robotics

Figure 1 shows a schematic of the internal circuitry on the stand-alone pressure sensor chip.

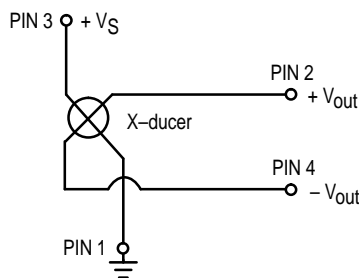


Figure 1. Uncompensated Pressure Sensor Schematic

VOLTAGE OUTPUT versus APPLIED DIFFERENTIAL PRESSURE

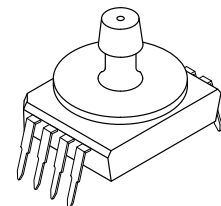
The differential voltage output of the X-ducer is directly proportional to the differential pressure applied.

The output voltage of the differential or gauge sensor increases with increasing pressure applied to the pressure side (P1) relative to the vacuum side (P2). Similarly, output voltage increases as increasing vacuum is applied to the vacuum side (P2) relative to the pressure side (P1).

Senseon and X-ducer are trademarks of Motorola, Inc.

MPXL10 SERIES

**0 to 10 kPa (0–1.45 psi)
35 mV FULL SCALE SPAN
(TYPICAL)**



CASE 472B-01, STYLE 2

PIN NUMBER

| | | | |
|---|-------------------|---|-----|
| 1 | Gnd | 5 | N/C |
| 2 | +V _{out} | 6 | N/C |
| 3 | V _S | 7 | N/C |
| 4 | -V _{out} | 8 | N/C |

NOTE: Pins 5, 6, 7, and 8 are not device connections. Do not connect to external circuitry or ground. Pin 1 is noted by the notch in the Lead.

MPXL10 SERIES

MAXIMUM RATINGS

| Rating | Symbol | Value | Unit |
|-----------------------------------------|--------------------|-------------|------|
| Overpressure ⁽⁸⁾ (P1 > P2) | P _{max} | 75 | kPa |
| Burst Pressure ⁽⁸⁾ (P1 > P2) | P _{burst} | 100 | kPa |
| Storage Temperature | T _{stg} | -40 to +125 | °C |
| Operating Temperature | T _A | -40 to +125 | °C |

OPERATING CHARACTERISTICS (V_S = 3.0 Vdc, T_A = 25°C unless otherwise noted, P1 > P2)

| Characteristic | Symbol | Min | Typ | Max | Unit |
|-----------------------------------------------------------|--------------------|-------|-------|-------|-----------------------|
| Differential Pressure Range ⁽¹⁾ | P _{OP} | 0 | — | 10 | kPa |
| Supply Voltage ⁽²⁾ | V _S | — | 3.0 | 6.0 | Vdc |
| Supply Current | I _o | — | 6.0 | — | mAdc |
| Full Scale Span ⁽³⁾ | V _{FSS} | 20 | 35 | 50 | mV |
| Offset ⁽⁴⁾ | V _{off} | 0 | 20 | 35 | mV |
| Sensitivity | ΔV/ΔP | — | 3.5 | — | mV/kPa |
| Linearity ⁽⁵⁾ | — | -1.0 | — | 1.0 | %V _{FSS} |
| Pressure Hysteresis ⁽⁵⁾ (0 to 10 kPa) | — | — | ± 0.1 | — | %V _{FSS} |
| Temperature Hysteresis ⁽⁵⁾ (-40°C to +125°C) | — | — | ± 0.5 | — | %V _{FSS} |
| Temperature Coefficient of Full Scale Span ⁽⁵⁾ | TCV _{FSS} | -0.22 | — | -0.16 | %V _{FSS} /°C |
| Temperature Coefficient of Offset ⁽⁵⁾ | TCV _{off} | — | ±15 | — | μV/°C |
| Temperature Coefficient of Resistance ⁽⁵⁾ | TCR | 0.21 | — | 0.27 | %Z _{in} /°C |
| Input Impedance | Z _{in} | 400 | — | 550 | Ω |
| Output Impedance | Z _{out} | 750 | — | 1250 | Ω |
| Response Time ⁽⁶⁾ (10% to 90%) | t _R | — | 1.0 | — | ms |
| Warm-Up | — | — | 20 | — | ms |
| Offset Stability ⁽⁹⁾ | — | — | ±0.5 | — | %V _{FSS} |

MECHANICAL CHARACTERISTICS

| Characteristic | Symbol | Min | Typ | Max | Unit |
|------------------------------------------|--------|-----|-----|-----|------|
| Common Mode Line Pressure ⁽⁷⁾ | — | — | — | 690 | kPa |

NOTES:

- 1.0 kPa (kiloPascal) equals 0.145 psi.
- Device is ratiometric within this specified excitation range. Operating the device above the specified excitation range may induce additional error due to device self-heating.
- Full Scale Span (V_{FSS}) is defined as the algebraic difference between the output voltage at full rated pressure and the output voltage at the minimum rated pressure.
- Offset (V_{off}) is defined as the output voltage at the minimum rated pressure.
- Accuracy (error budget) consists of the following:
 - Linearity: Output deviation from a straight line relationship with pressure, using end point method, over the specified pressure range.
 - Temperature Hysteresis: Output deviation at any temperature within the operating temperature range, after the temperature is cycled to and from the minimum or maximum operating temperature points, with zero differential pressure applied.
 - Pressure Hysteresis: Output deviation at any pressure within the specified range, when this pressure is cycled to and from the minimum or maximum rated pressure, at 25°C.
 - TcSpan: Output deviation at full rated pressure over the temperature range of 0 to 85°C, relative to 25°C.
 - TcOffset: Output deviation with minimum rated pressure applied, over the temperature range of 0 to 85°C, relative to 25°C.
 - TCR: Z_{in} deviation with minimum rated pressure applied, over the temperature range of -40°C to +125°C, relative to 25°C.
- Response Time is defined as the time for the incremental change in the output to go from 10% to 90% of its final value when subjected to a specified step change in pressure.
- Common mode pressures beyond specified may result in leakage at the case-to-lead interface.
- Exposure beyond these limits may cause permanent damage or degradation to the device.
- Offset stability is the product's output deviation when subjected to 1000 hours of Pulsed Pressure, Temperature Cycling with Bias Test.

TEMPERATURE COMPENSATION

Figure 2 shows the typical output characteristics of the MPXL10 series over temperature.

The X–ducer piezoresistive pressure sensor element is a semiconductor device which gives an electrical output signal proportional to the pressure applied to the device. This device uses a unique transverse voltage diffused semiconductor strain gauge which is sensitive to stresses produced in a thin silicon diaphragm by the applied pressure.

Because this strain gauge is an integral part of the silicon diaphragm, there are no temperature effects due to differences in the thermal expansion of the strain gauge and the diaphragm, as are often encountered in bonded strain gauge pressure sensors. However, the properties of the strain gauge itself are temperature dependent, requiring that the device be temperature compensated if it is to be used over an extensive temperature range.

Temperature compensation and offset calibration can be

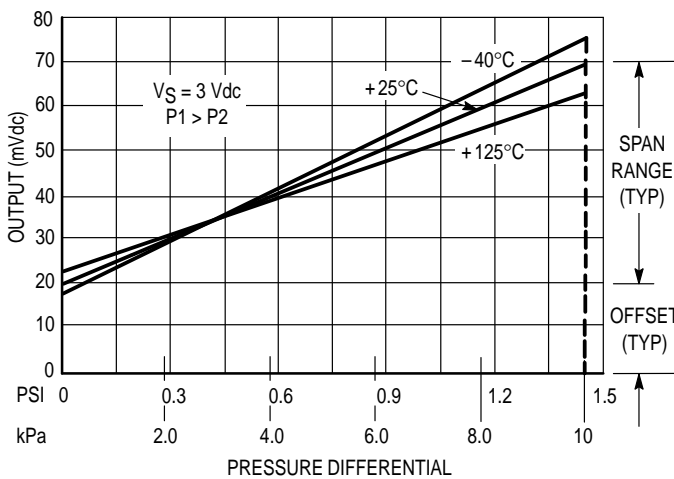


Figure 2. Output versus Pressure Differential

Figure 4 illustrates the Differential/Gauge Sensing Chip in the basic Low Profile Package (Case 472B–01). A fluorosilicone gel isolates the die surface and wire bonds from the environment, while allowing the pressure signal to be transmitted to the sensor diaphragm.

The MPXL10 series pressure sensor operating characteristics, and internal reliability and qualification tests are based on use of dry air as the pressure media. Media, other than dry air, may have adverse effects on sensor performance and long-term reliability. Contact the factory for information regarding media compatibility in your application.

achieved rather simply with additional resistive components, or by designing your system using the MPX2010D series sensor.

LINEARITY

Linearity refers to how well a transducer’s output follows the equation: $V_{out} = V_{off} + \text{sensitivity} \times P$ over the operating pressure range (Figure 3). There are two basic methods for calculating nonlinearity: (1) end point straight line fit or (2) a least squares best line fit. While a least squares fit gives the “best case” linearity error (lower numerical value), the calculations required are burdensome.

Conversely, an end point fit will give the “worst case” error (often more desirable in error budget calculations) and the calculations are more straightforward for the user. Motorola’s specified pressure sensor linearities are based on the end point straight line method measured at the midrange pressure.

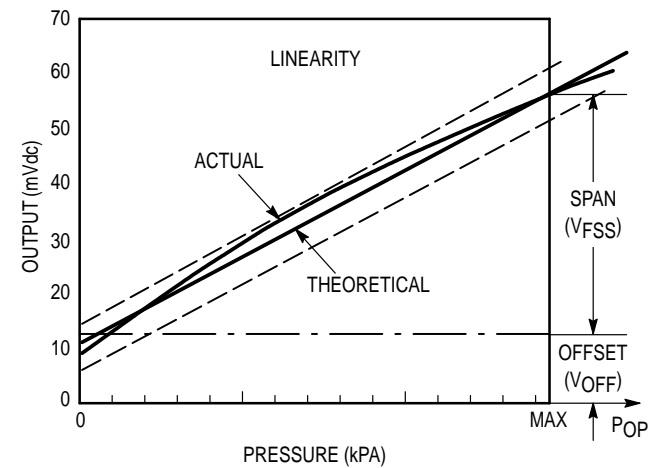


Figure 3. Linearity Specification Comparison

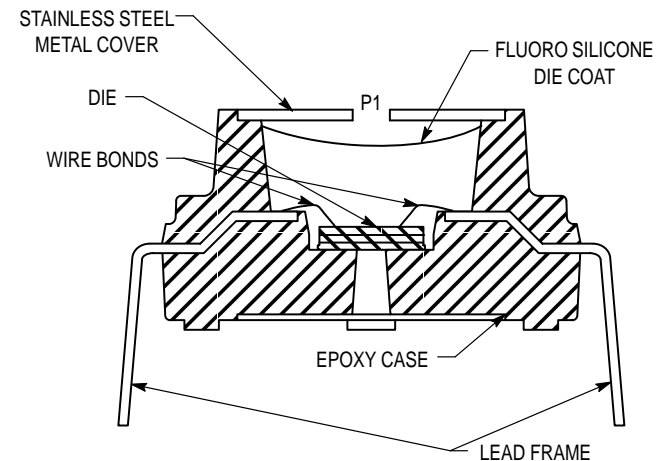


Figure 4. Cross-Sectional Diagram (Not to Scale)

MPXL10 SERIES

ORDERING INFORMATION

MPXL10 series pressure sensors are available in differential and gauge configurations. Devices are available in the basic element package or with pressure port fittings which provide printed circuit board mounting ease and barbed hose pressure connections.

| Device Type | Options | Case Type | MPX Series | |
|-------------|---------|--------------|--------------|----------------|
| | | | Order Number | Device Marking |
| MPXL10GC7U | N/A | Case 472B-01 | MPXL10GC7U | MPXL10G |

PACKAGE DIMENSIONS

NOTES:

- DIMENSIONING AND TOLERANCING PER ANSI Y14.5M, 1982.
- CONTROLLING DIMENSION: INCH.
- DIMENSION A AND B DO NOT INCLUDE MOLD PROTRUSION.
- MAXIMUM MOLD PROTRUSION 0.15 (0.006).
- VERTICAL SURFACES MAY BE UP TO 5° DRAFT.
- DIMENSION P TO CENTER OF LEAD WHEN FORMED PARALLEL.

| DIM | INCHES | | MILLIMETERS | |
|-----|-----------|-------|-------------|-------|
| | MIN | MAX | MIN | MAX |
| A | 0.658 | 0.668 | 16.71 | 16.97 |
| B | 0.541 | 0.551 | 13.74 | 13.99 |
| C | 0.555 | 0.595 | 14.10 | 15.11 |
| F | 0.026 | 0.034 | 0.66 | 0.86 |
| G | 0.100 BSC | | 2.54 BSC | |
| J | 0.009 | 0.011 | 0.23 | 0.28 |
| L | 0.138 | 0.150 | 3.50 | 3.81 |
| M | 0° | 15° | 0° | 15° |
| P | 0.735 | 0.745 | 18.67 | 18.92 |
| R | 0.185 | 0.195 | 4.69 | 4.95 |
| S | 0.155 | 0.165 | 3.94 | 4.19 |
| U | 0.120 | 0.130 | 3.05 | 3.30 |
| V | 0.305 | 0.315 | 7.75 | 8.00 |
| W | 0.561 | 0.571 | 14.25 | 14.50 |
| X | 0.010 | 0.025 | 0.25 | 0.63 |
| Y | 0.002 | 0.020 | 0.05 | 0.51 |

STYLE 2:
 PIN 1. GROUND
 2. +VOUT
 3. VSUPPLY
 4. -VOUT
 5. NC
 6. NC
 7. NC
 8. NC

CASE 472B-01
ISSUE 0

⊕ 0.25 (0.010) (M) T B ⊙ A ⊙

Motorola reserves the right to make changes without further notice to any products herein. Motorola makes no warranty, representation or guarantee regarding the suitability of its products for any particular purpose, nor does Motorola assume any liability arising out of the application or use of any product or circuit, and specifically disclaims any and all liability, including without limitation consequential or incidental damages. "Typical" parameters which may be provided in Motorola data sheets and/or specifications can and do vary in different applications and actual performance may vary over time. All operating parameters, including "Typicals" must be validated for each customer application by customer's technical experts. Motorola does not convey any license under its patent rights nor the rights of others. Motorola products are not designed, intended, or authorized for use as components in systems intended for surgical implant into the body, or other applications intended to support or sustain life, or for any other application in which the failure of the Motorola product could create a situation where personal injury or death may occur. Should Buyer purchase or use Motorola products for any such unintended or unauthorized application, Buyer shall indemnify and hold Motorola and its officers, employees, subsidiaries, affiliates, and distributors harmless against all claims, costs, damages, and expenses, and reasonable attorney fees arising out of, directly or indirectly, any claim of personal injury or death associated with such unintended or unauthorized use, even if such claim alleges that Motorola was negligent regarding the design or manufacture of the part. Motorola and are registered trademarks of Motorola, Inc. Motorola, Inc. is an Equal Opportunity/Affirmative Action Employer.

Mfax is a trademark of Motorola, Inc.

How to reach us:

USA/EUROPE/Locations Not Listed: Motorola Literature Distribution; P.O. Box 5405, Denver, Colorado 80217. 1-303-675-2140 or 1-800-441-2447

JAPAN: Nippon Motorola Ltd.: SPD, Strategic Planning Office, 4-32-1, Nishi-Gotanda, Shinagawa-ku, Tokyo 141, Japan. 81-3-5487-8488

Customer Focus Center: 1-800-521-6274

Mfax™: RMFAX0@email.sps.mot.com – TOUCHTONE 1-602-244-6609
 Motorola Fax Back System – US & Canada ONLY 1-800-774-1848
 – http://sps.motorola.com/mfax/

ASIA/PACIFIC: Motorola Semiconductors H.K. Ltd.; 8B Tai Ping Industrial Park, 51 Ting Kok Road, Tai Po, N.T., Hong Kong. 852-26629298

HOME PAGE: http://motorola.com/sps/

