

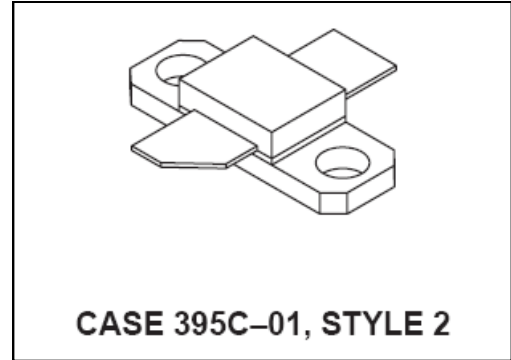
The RF Line NPN Silicon Power Transistor 6.0W , 1.6GHz, 28V

Rev. V1

Designed for 28 V microwave large-signal, common base, Class C, CW amplifier applications in the range 1600 – 1640 MHz.

- Specified 28 V, 1.6 GHz Class C characteristics
 - Output power = 6 W
 - Minimum gain = 7.4 dB, @ 6 W
 - Minimum efficiency = 40% @ 6 W
- Characterized with series equivalent large-signal parameters from 1500 MHz to 1700 MHz
- Silicon nitride passivated
- Gold metalized, emitter ballasted for long life and resistance to metal migration

Product Image



MAXIMUM RATINGS ($T_J = 25^\circ\text{C}$ unless otherwise noted)

Rating	Symbol	Value	Unit
Collector-Emitter Voltage	V_{CES}	60	Vdc
Emitter-Base Voltage	V_{EBO}	4.0	Vdc
Collector-Current	I_C	1.0	Adc
Total Device Dissipation @ $T_C = 25^\circ\text{C}$ Derate above 25°C	P_D	26 0.15	Watts W/ $^\circ\text{C}$
Storage Temperature Range	T_{stg}	-65 to +150	$^\circ\text{C}$

THERMAL CHARACTERISTICS

Thermal Resistance — Junction to Case (1) (2)	$R_{\theta JC}$	6.8	$^\circ\text{C/W}$
---	-----------------	-----	--------------------

(1) Thermal measurement performed using CW RF operating condition.

(2) Thermal resistance is determined under specified RF operating conditions by infrared measurement techniques.

The RF Line NPN Silicon Power Transistor 6.0W , 1.6GHz, 28V

Rev. V1

ELECTRICAL CHARACTERISTICS ($T_C = 25^\circ\text{C}$ unless otherwise noted)

Characteristic	Symbol	Min	Typ	Max	Unit
----------------	--------	-----	-----	-----	------

OFF CHARACTERISTICS

Collector–Emitter Breakdown Voltage ($I_C = 40 \text{ mAdc}$, $V_{BE} = 0$)	$V_{(BR)CES}$	55	—	—	Vdc
Collector–Base Breakdown Voltage ($I_C = 40 \text{ mAdc}$, $I_E = 0$)	$V_{(BR)CBO}$	55	—	—	Vdc
Emitter–Base Breakdown Voltage ($I_E = 2.5 \text{ mAdc}$, $I_C = 0$)	$V_{(BR)EBO}$	4.0	—	—	Vdc
Collector Cutoff Current ($V_{CE} = 28 \text{ Vdc}$, $V_{BE} = 0$)	I_{CES}	—	—	2.5	mAdc

ON CHARACTERISTICS

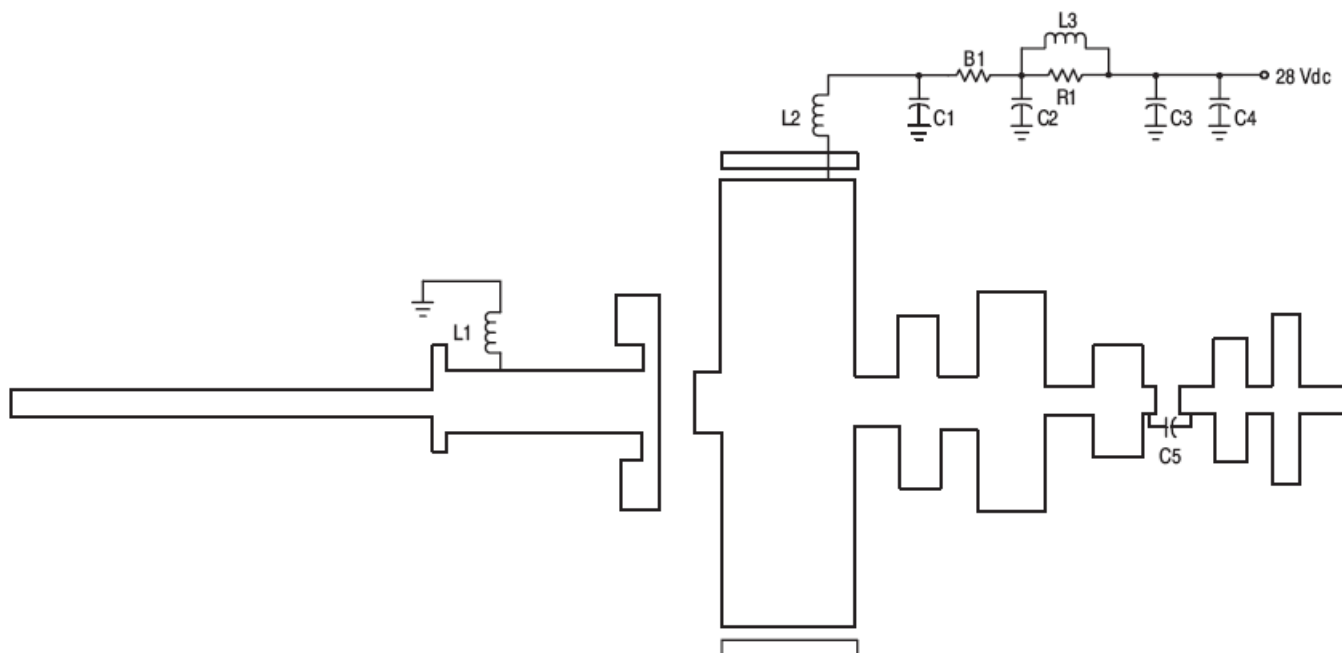
DC Current Gain ($I_{CE} = 0.2 \text{ Adc}$, $V_{CE} = 5.0 \text{ Vdc}$)	h_{FE}	20	—	80	—
--	----------	----	---	----	---

DYNAMIC CHARACTERISTICS

Output Capacitance ($V_{CB} = 28 \text{ Vdc}$, $f = 1.0 \text{ MHz}$)	C_{ob}	11	—	—	pf
---	----------	----	---	---	----

FUNCTIONAL TESTS

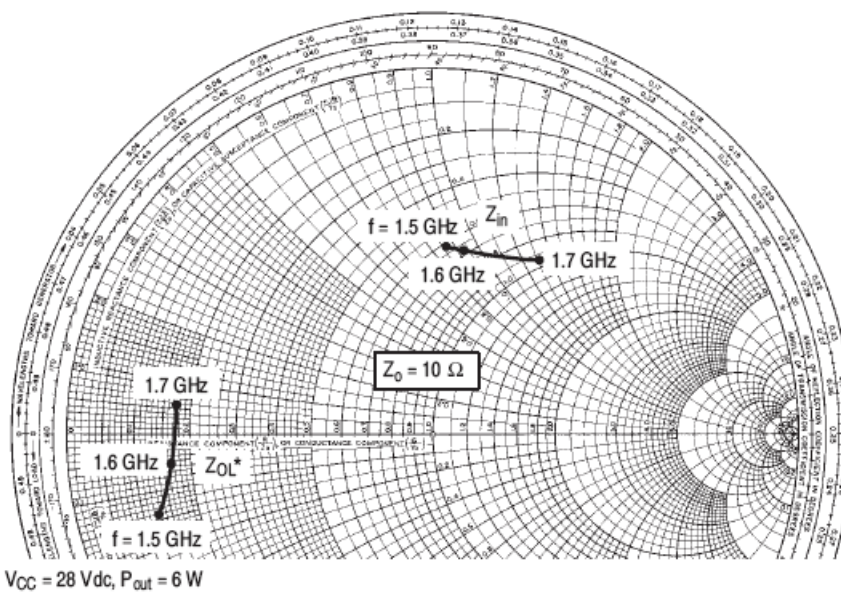
Common–Base Amplifier Power Gain ($V_{CC} = 28 \text{ Vdc}$, $P_{out} = 6 \text{ Watts}$, $f = 1600/1640 \text{ MHz}$)	G_{pe}	7.4	—	—	dB
Collector Efficiency ($V_{CC} = 28 \text{ Vdc}$, $P_{out} = 6 \text{ Watts}$, $f = 1600/1640 \text{ MHz}$)	η	40	45	—	%
Return Loss ($V_{CC} = 28 \text{ Vdc}$, $P_{out} = 6 \text{ Watts}$, $f = 1600/1640 \text{ MHz}$)	I_{RL}	—	8.0	—	dB
Output Mismatch Stress ($V_{CC} = 28 \text{ Vdc}$, $P_{out} = 6 \text{ Watts}$, $f = 1600 \text{ MHz}$, Load VSWR = 3:1 all phase angles at frequency of test)	ψ	No Degradation in Output Power			



Board Material – Teflon[®] Glass Laminate Dielectric
Thickness – 0.30", $\epsilon_r = 2.55$ ", 2.0 oz. Copper

B1	Fair Rite Bead on #24 Wire	C4	47 μ F, 50 V, Electrolytic Cap
C1, C5	100 pF, B Case, ATC Chip Cap	L1, L2	3 Turns, #18, 0.133" ID, 0.15" Long
C2	0.1 μ F, Dipped Mica Cap	L3	9 Turns, #24 Enamel
C3	0.1 μ F, Chip Cap	R1	82 Ω , 1.0 W, Carbon Resistor

Figure 1. MRF16006 Test Fixture Schematic



f MHz	Z_{in} Ohms	Z_{OL}^* Ohms
1500	$6.28 + j 8.53$	$1.22 - j 1.37$
1600	$7.04 + j 9.00$	$1.58 - j 0.53$
1700	$9.55 + j 12.86$	$1.71 + j 0.39$

Z_{OL}^* = Conjugate of the optimum load impedance into which the device output operates at a given output power, voltage and frequency.

Figure 2. Series Equivalent Input/Output Impedance

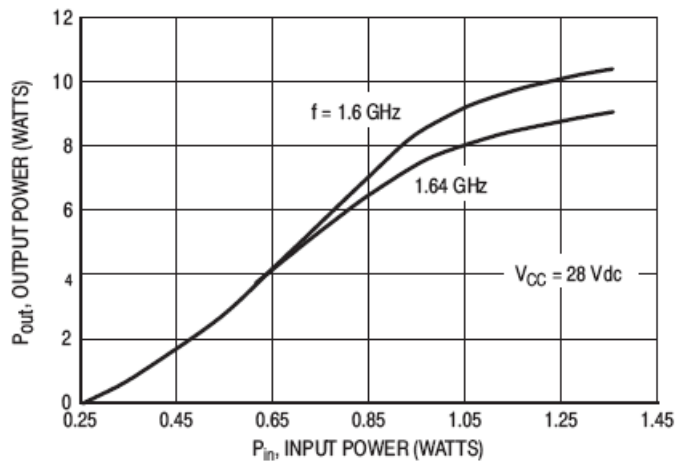
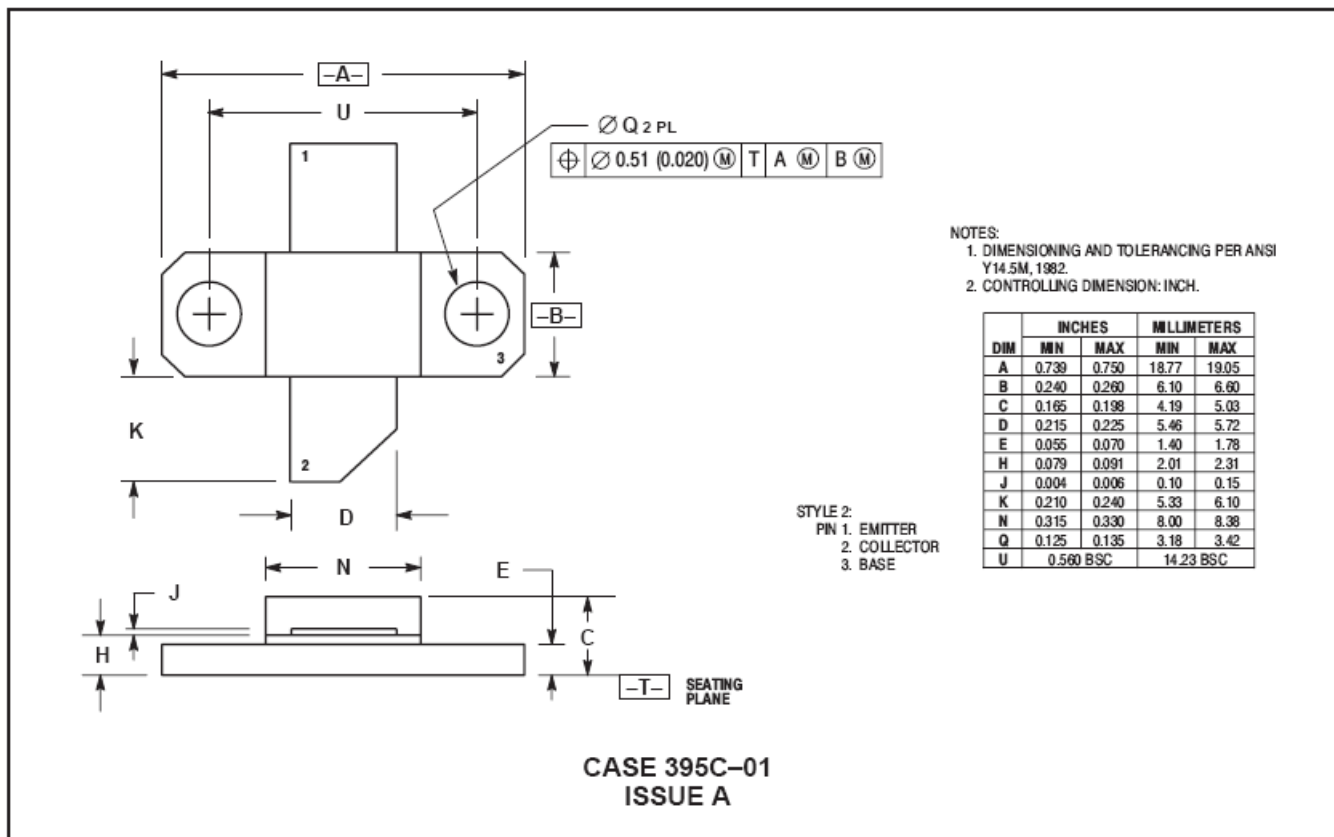


Figure 3. Output Power versus Input Power

PACKAGE DIMENSIONS



M/A-COM Technology Solutions Inc. All rights reserved.

Information in this document is provided in connection with M/A-COM Technology Solutions Inc ("MACOM") products. These materials are provided by MACOM as a service to its customers and may be used for informational purposes only. Except as provided in MACOM's Terms and Conditions of Sale for such products or in any separate agreement related to this document, MACOM assumes no liability whatsoever. MACOM assumes no responsibility for errors or omissions in these materials. MACOM may make changes to specifications and product descriptions at any time, without notice. MACOM makes no commitment to update the information and shall have no responsibility whatsoever for conflicts or incompatibilities arising from future changes to its specifications and product descriptions. No license, express or implied, by estoppel or otherwise, to any intellectual property rights is granted by this document.

THESE MATERIALS ARE PROVIDED "AS IS" WITHOUT WARRANTY OF ANY KIND, EITHER EXPRESS OR IMPLIED, RELATING TO SALE AND/OR USE OF MACOM PRODUCTS INCLUDING LIABILITY OR WARRANTIES RELATING TO FITNESS FOR A PARTICULAR PURPOSE, CONSEQUENTIAL OR INCIDENTAL DAMAGES, MERCHANTABILITY, OR INFRINGEMENT OF ANY PATENT, COPYRIGHT OR OTHER INTELLECTUAL PROPERTY RIGHT. MACOM FURTHER DOES NOT WARRANT THE ACCURACY OR COMPLETENESS OF THE INFORMATION, TEXT, GRAPHICS OR OTHER ITEMS CONTAINED WITHIN THESE MATERIALS. MACOM SHALL NOT BE LIABLE FOR ANY SPECIAL, INDIRECT, INCIDENTAL, OR CONSEQUENTIAL DAMAGES, INCLUDING WITHOUT LIMITATION, LOST REVENUES OR LOST PROFITS, WHICH MAY RESULT FROM THE USE OF THESE MATERIALS.

MACOM products are not intended for use in medical, lifesaving or life sustaining applications. MACOM customers using or selling MACOM products for use in such applications do so at their own risk and agree to fully indemnify MACOM for any damages resulting from such improper use or sale.