

NPN SILICON RF TRANSISTOR

DESCRIPTION:

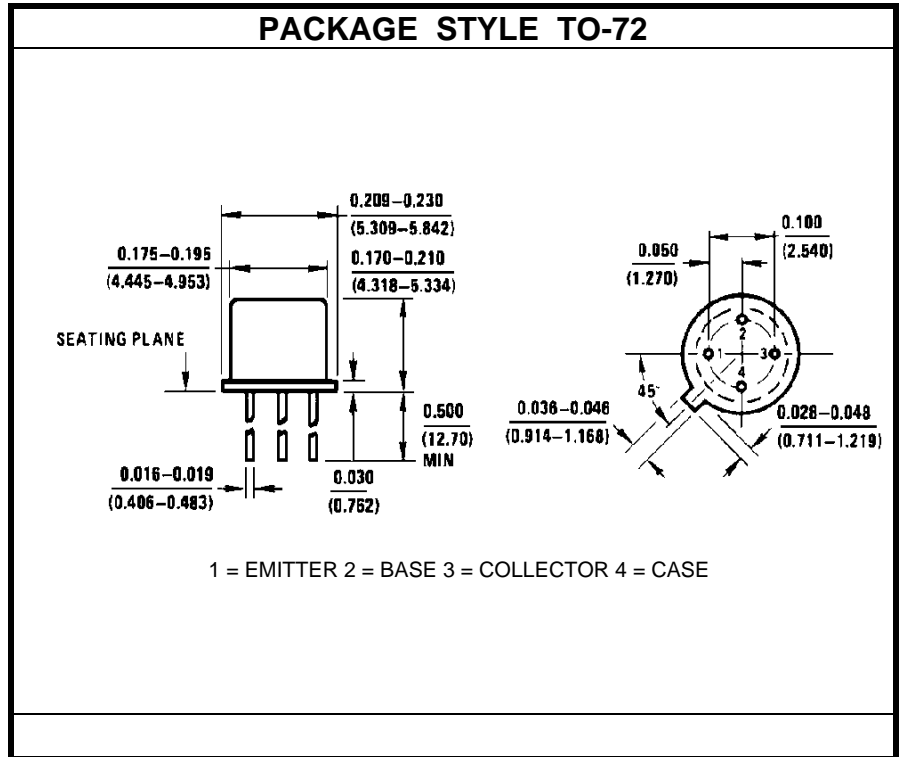
The **ASI MRF904** is Designed for General Purpose Amplifier Applications.

FEATURES:

- NF = 1.5 dB (Typ) 450 MHz
- G_{max} = 16 dB (Typ) 450 MHz
- f_T = 4.0 GHz (Typ) @ I_C = 15 mA

MAXIMUM RATINGS

I_C	30 mA
V_{CBO}	25 V
V_{CEO}	15 V
P_{DISS}	0.2 W @ $T_A = 25^\circ C$
T_J	-65 °C to +200 °C
T_{STG}	-65 °C to +200 °C


CHARACTERISTICS $T_C = 25^\circ C$

SYMBOL	TEST CONDITIONS			MINIMUM	TYPICAL	MAXIMUM	UNITS
BV_{CEO}	$I_C = 1.0$ mA			15			V
BV_{CBO}	$I_C = 100$ μA			25			V
BV_{EBO}	$I_E = 100$ μA			3.0			V
I_{CBO}	$V_{CB} = 15$ V					50	nA
h_{FE}	$V_{CE} = 5.0$ V	$I_C = 5.0$ mA		30		200	---
C_{OB}	$V_{CB} = 10$ V	$f = 1.0$ MHz				1.0	pF
f_T	$V_{CE} = 10$ V	$I_C = 15$ mA	$f = 1.0$ GHz		4.0		GHz
NF	$V_{CE} = 6.0$ V	$I_C = 5.0$ mA	$f = 450$ MHz		1.5		dB
G_{max}					16		dB
NF	$V_{CE} = 6.0$ V	$I_C = 5.0$ mA	$f = 1.0$ GHz		2.5		dB
G_{max}					10		dB