

**Product Preview**

MRFIC1870PP/D  
Rev. 0, 02/2003

3.2 V DCS/PCS  
GaAs Integrated  
Power Amplifier



# MRFIC1870



**Package Information**

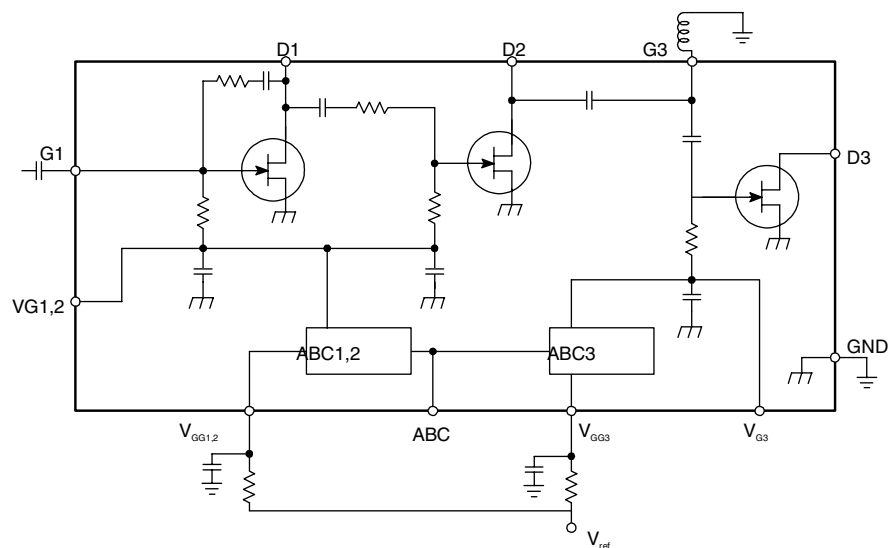
Plastic Package  
Case 1308  
(QFN-20)

**Ordering Information**

Device	Device Marking	Package
MRFIC1870	1870	QFN-20

The MRFIC1870 is a single supply, RF power amplifier designed for the 2.0 W DCS/PCS handheld radios. The device is packaged in the QFN-20 package, with exposed backside pad, which allows excellent electrical and thermal performance through a solderable contact.

- Target 3.2 V Characteristics:  
RF Output Power: 32 dBm Minimum  
Efficiency: 42% Minimum
- Single Positive Supply Solution



**Figure 1. Functional Block Diagram**

This document contains information on a product under development. Motorola reserves the right to change or discontinue this product without notice. © Motorola, Inc., 2003. All rights reserved.

**For More Information On This Product,  
Go to: [www.freescale.com](http://www.freescale.com)**

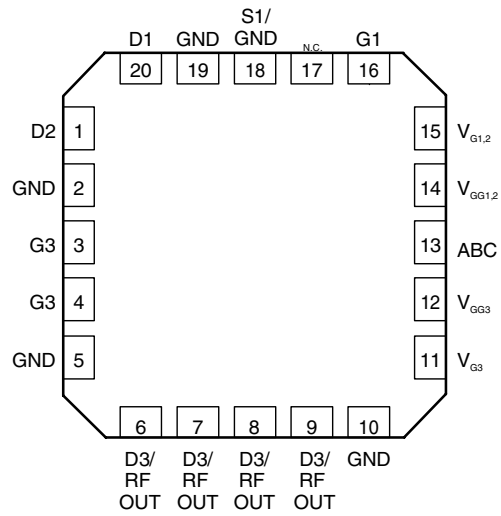
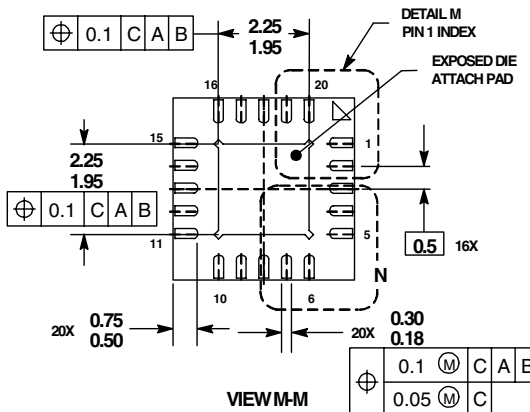
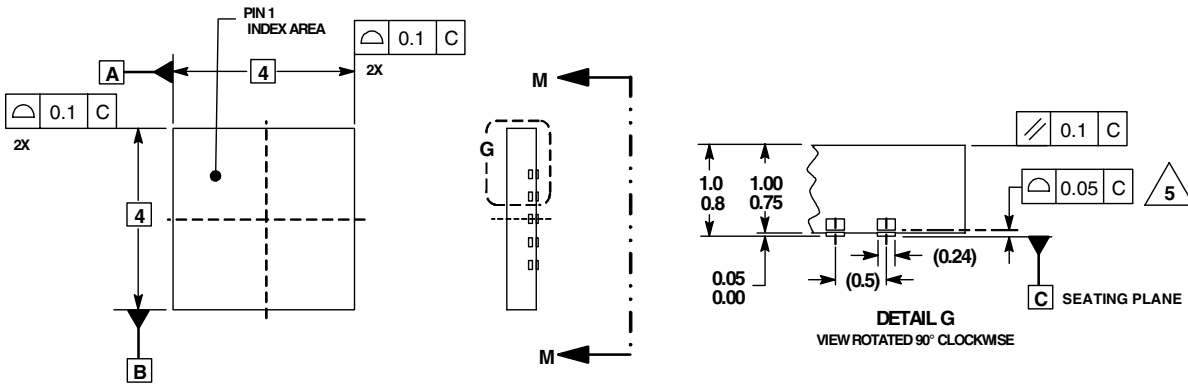


Figure 2. Contact Connections



- NOTES:
1. DIMENSIONS ARE IN MILLIMETERS.
  2. DIMENSIONS AND TOLERANCES PER ASME Y14.5M, 1994.
  3. THE COMPLETE JEDEC DESIGNATOR FOR THIS PACKAGE IS: HF-PQFP-N.
  4. CORNER CHAMFER MAY NOT BE PRESENT. DIMENSIONS OF OPTIONAL FEATURES ARE FOR REFERENCE ONLY. COPLANARITY APPLIES TO LEADS, CORNER LEADS, AND DIE ATTACH PAD.
  5. FOR ANVIL SINGULATED QFN PACKAGES, MAXIMUM DRAFT ANGLE IS 12°.

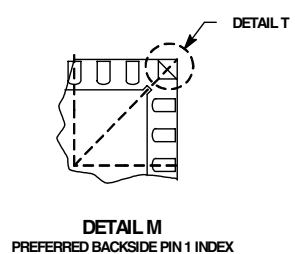
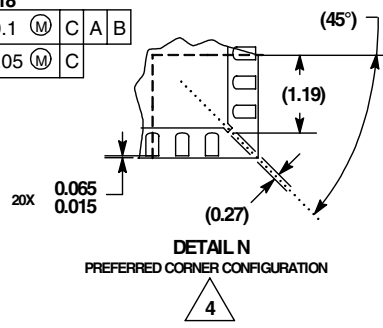


Figure 3. Outline Dimensions for QFN-20 (Case 1308-02, Issue C)

Freescale Semiconductor, Inc.

## HOW TO REACH US:

### USA/EUROPE/LOCATIONS NOT LISTED:

Motorola Literature Distribution;  
P.O. Box 5405, Denver, Colorado 80217  
1-303-675-2140 or 1-800-441-2447

### JAPAN:

Motorola Japan Ltd.; SPS, Technical Information Center,  
3-20-1, Minami-Azabu Minato-ku, Tokyo 106-8573 Japan  
81-3-3440-3569

### ASIA/PACIFIC:

Motorola Semiconductors H.K. Ltd.; Silicon Harbour  
Centre, 2 Dai King Street, Tai Po Industrial Estate,  
Tai Po, N.T., Hong Kong  
852-26668334

### TECHNICAL INFORMATION CENTER:

1-800-521-6274

### HOME PAGE:

<http://www.motorola.com/semiconductors>

Information in this document is provided solely to enable system and software implementers to use Motorola products. There are no express or implied copyright licenses granted hereunder to design or fabricate any integrated circuits or integrated circuits based on the information in this document.

Motorola reserves the right to make changes without further notice to any products herein. Motorola makes no warranty, representation or guarantee regarding the suitability of its products for any particular purpose, nor does Motorola assume any liability arising out of the application or use of any product or circuit, and specifically disclaims any and all liability, including without limitation consequential or incidental damages. "Typical" parameters which may be provided in Motorola data sheets and/or specifications can and do vary in different applications and actual performance may vary over time. All operating parameters, including "Typicals" must be validated for each customer application by customer's technical experts. Motorola does not convey any license under its patent rights nor the rights of others. Motorola products are not designed, intended, or authorized for use as components in systems intended for surgical implant into the body, or other applications intended to support or sustain life, or for any other application in which the failure of the Motorola product could create a situation where personal injury or death may occur. Should Buyer purchase or use Motorola products for any such unintended or unauthorized application, Buyer shall indemnify and hold Motorola and its officers, employees, subsidiaries, affiliates, and distributors harmless against all claims, costs, damages, and expenses, and reasonable attorney fees arising out of, directly or indirectly, any claim of personal injury or death associated with such unintended or unauthorized use, even if such claim alleges that Motorola was negligent regarding the design or manufacture of the part.



**MOTOROLA**

Motorola and the Stylized M Logo are registered in the U.S. Patent and Trademark Office. All other product or service names are the property of their respective owners. Motorola, Inc. is an Equal Opportunity/Affirmative Action Employer.

© Motorola, Inc. 2003

MRFIC1870PP/D

**For More Information On This Product,  
Go to: [www.freescale.com](http://www.freescale.com)**