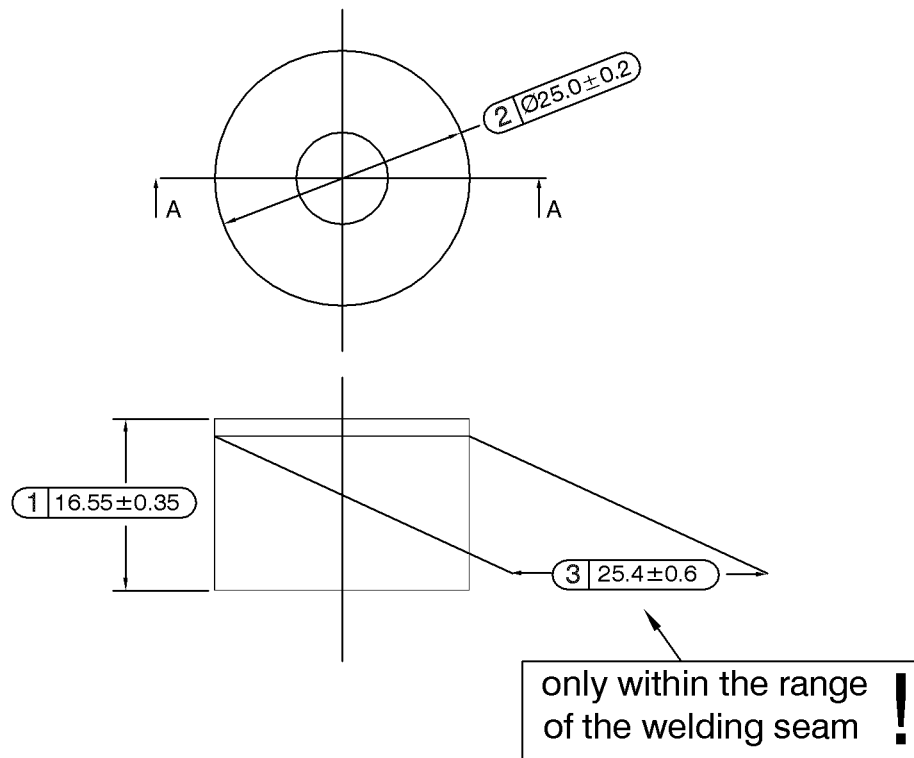
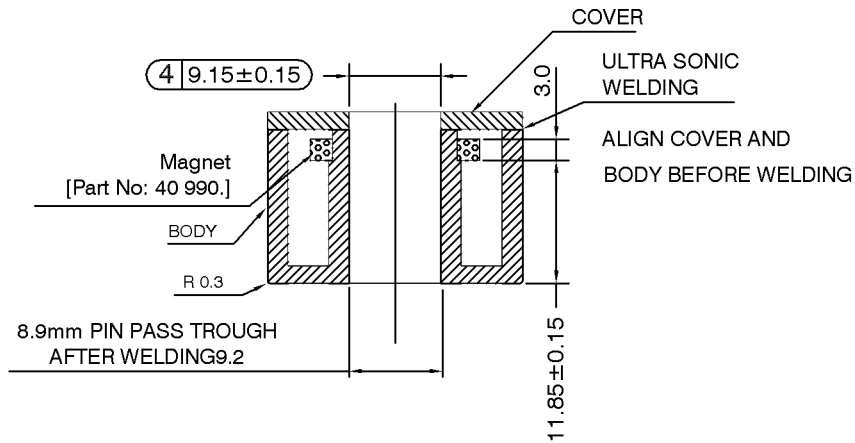


Preliminary Datasheet



SECTION A-A



unspecified tolerances acc. to DIN ISO 2768-m

