



M.S.KENNEDY CORP.

HIGH CURRENT, SUPER LOW DROPOUT FIXED VOLTAGE REGULATORS

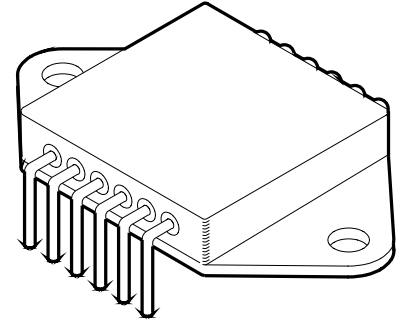
5020 SERIES

4707 Dey Road Liverpool, N.Y. 13088

(315) 701-6751

FEATURES:

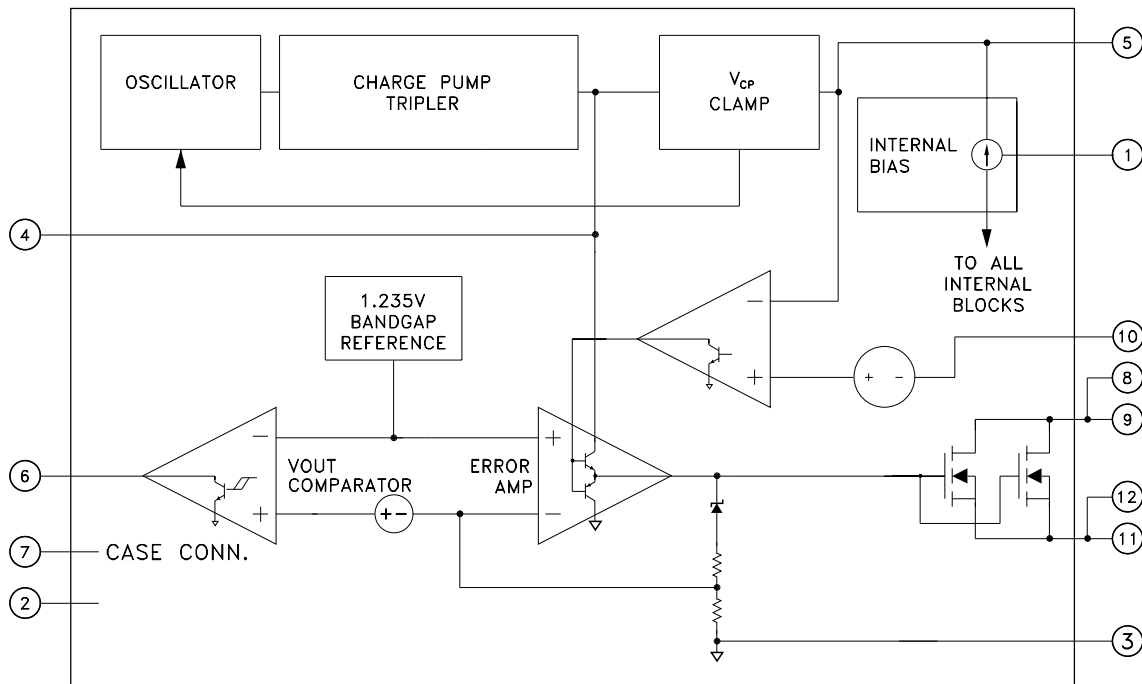
- Extremely Low Dropout Voltage: 0.50V @ 20 Amps
- Available in 3.3V, 5.0V and 12.0V versions
- Output Voltages Are Internally Set to $\pm 1\%$
- TTL Level Enable Pin
- Externally Programmable Current Limit
- Low Quiescent Current
- Available Fully Qualified to Mil-PRF-38534
- Output Current to 20 Amps
- Regulation Dropout Fault Pin
- Contact MSK for MIL-PRF-38534 Qualification Status



DESCRIPTION:

The MSK 5020 series voltage regulators are available in +3.3V, +5.0V or +12.0V fixed output configurations. All three boast ultra low dropout specifications due to the utilization of a MOSFET output pass transistor with extremely low $R_{ds(on)}$. Dropout voltages of 0.50V at 20 amps are typical in this configuration, which drives efficiency up and power dissipation down. Accuracy is guaranteed with a 1% initial output voltage tolerance that varies only $\pm 2\%$ with temperature. A TTL input level can be used to enable/disable the device and a regulation dropout Fault pin provides a means of monitoring the output level. The MSK 5020 series is packaged in a thermally efficient 12 pin power dip.

EQUIVALENT SCHEMATIC



TYPICAL APPLICATIONS

- High Efficiency, High Current Linear Regulators
- Constant Voltage/Current Regulators
- System Power Supplies
- Switching Power Supply Post Regulators

PIN-OUT INFORMATION

1 Enable	12 Output
2 NC	11 Output
3 Ground	10 Sense
4 Filter Capacitor	9 VSC
5 Input	8 VSC
6 Fault	7 Case Connection

ABSOLUTE MAXIMUM RATINGS ^⑨

V _{IN}	Input Voltage	36V
V _{EN}	Enable Voltage.	-0.3V to 36V
I _{OUT}	Output Current	20A within SOA
T _J	Junction Temperature.	+175 °C

T _{ST}	Storage Temperature Range	-65 °C to +150 °C
T _{LD}	Lead Temperature Range	300 °C (10 Seconds)
T _C	Case Operating Temperature	
	MSK5020 Series	-40 °C to +85 °C
	MSK5020B/E Series	-55 °C to +125 °C

ELECTRICAL SPECIFICATIONS

Parameter	Test Conditions ^① ^③	Group A Subgroup	MSK 5020B/E SERIES			MSK 5020 SERIES			Units	
			Min.	Typ.	Max.	Min.	Typ.	Max.		
Input Voltage Range ^②		-	3	-	36	3	-	36	V	
Output Voltage Tolerance	I _{OUT} = 0A; V _{IN} = V _{OUT} + 1V	1	-	±0.5	±1.0	-	±0.5	±1.0	%	
		2,3	-	±1.0	±2.0	-	-	-	%	
Dropout Voltage ^②	I _{OUT} = 0A	1	-	0.002	0.010	-	0.002	0.010	V	
	I _{OUT} = 20A	1	-	0.50	0.75	-	0.5	1.0	V	
Load Regulation	V _{IN} = V _{OUT} + 1V	1	-	±0.5	±1.0	-	±0.5	±1.0	%	
	0A ≤ I _{OUT} ≤ 10A	2,3	-	±0.5	±2.0	-	-	-	%	
Line Regulation	(V _{OUT} + 1V) ≤ V _{IN} ≤ (V _{OUT} + 15V)	1	-	±0.5	±1.0	-	±0.5	±1.0	%	
	I _{OUT} = 0A	2,3	-	±0.5	±1.0	-	-	-	%	
Quiescent Current	V _{EN} = 5V; V _{IN} = V _{OUT} + 1V; I _{OUT} = 0A	1	-	20	30	-	20	30	mA	
		2,3	-	20	30	-	-	-	mA	
	V _{EN} = 0V; V _{IN} = V _{OUT} + 1V; I _{OUT} = 0A ^②	1	-	10	50	-	10	50	μA	
		2,3	-	10	50	-	-	-	μA	
Ripple Rejection ^②	f = 120Hz	-	-	45	-	-	45	-	dB	
Thermal Resistance ^②	Junction to Case @ 125 °C	-	-	0.8	1.0	-	0.8	1.1	°C/W	
Enable Input Voltage ^②	HIGH	1	2.4	1.2	-	2.4	1.2	-	V	
Enable Input Current ^②	LOW	1	-	1.2	0.8	-	1.2	0.8	V	
	HIGH	1	-	20	50	-	20	50	μA	
	LOW	1	-	10	25	-	10	25	μA	
Output Settling Time ^② ^⑧	To within 10mV (I _{OUT} = 0A)	-	-	0.5	-	-	0.5	-	mS	
Fault Output Voltage ^② ^⑨	I _{FAULT} = 1mA	HIGH	-	-	V _{IN}	-	-	V _{IN}	-	V
		LOW	-	-	0.09	-	-	0.09	-	V
Fault Output Sink Current Range ^②		-	1	-	10	1	-	10	mA	

NOTES:

- ① Output decoupled to ground using 33μF minimum capacitor and R_{SC} = 0Ω unless otherwise specified.
- ② Guaranteed by design but not tested. Typical parameters are representative of actual device performance but are for reference only.
- ③ All output parameters are tested using a low duty cycle pulse to maintain T_J = T_C.
- ④ Industrial grade and "E" suffix devices shall be tested to subgroup 1 only unless otherwise specified.
- ⑤ Military grade devices ("B" suffix) shall be 100% tested to subgroups 1, 2 and 3.
- ⑥ Subgroup 1 T_A = T_C = +25 °C
Subgroup 2 T_A = T_C = +125 °C
Subgroup 3 T_C = T_C = -55 °C
- ⑦ After application of enable pulse.
- ⑧ Fault pin connected to V_{IN} through a 5.1KΩ resistor for MSK5020-5.0.
- ⑨ Continuous operation at or above absolute maximum ratings may adversely effect the device performance and/or life cycle.

PART NUMBER	OUTPUT VOLTAGE
MSK5020-3.3	+ 3.3V
MSK5020-5.0	+ 5.0V
MSK5020-12	+ 12.0V

APPLICATION NOTES

MINIMIZING OUTPUT RIPPLE:

The output voltage ripple of the MSK 5020 series voltage regulators can be minimized by placing a filter capacitor from the output to ground. The optimum value for this capacitor may vary from one application to the next and is best determined by experimentation. Transient load response can also be improved by placing a 33uF or larger capacitor directly across the load.

CASE CONNECTIONS:

The case of the MSK 5020 is connected to pin seven of the package but isolated from the internal circuitry allowing direct attachment of the heat sink to the case. It may be necessary in some applications to ground the case to limit noise or eliminate oscillations on the output. Pin seven can be left as a no connect if the designer chooses.

LOAD REGULATION:

For best results, the ground pin should be connected directly to the load (see next note). This effectively reduces the ground loop effect and eliminates excessive voltage drop in the sense leg. It is also important to keep the output connection between the regulator and the load as short as possible since this directly affects the load regulation. For example, if 20 gauge wire were used which has a resistance of about .008 ohms per foot, this would result in a drop of 80mV/ft at a load current of 10 amps.

LOAD CONNECTIONS:

In voltage regulator applications where very large load currents are present, the load connection is very important. The path connecting the output of the regulator to the load must be extremely low impedance to avoid affecting the load regulation specifications. Any impedance in this path will form a voltage divider with the load. The same holds true for the connection from the low end of the load to ground. For best load regulation, the low end of the load must be connected directly to pin 3 of the MSK 5020 and not to a ground plane inches away from the hybrid.

ENABLE/DISABLE PIN:

The MSK 5020 series of voltage regulators are equipped with a TTL compatible ENABLE pin. A TTL high level on this pin activates the internal bias circuit and powers up the device. A TTL low level on this pin places the controller in shutdown mode and the device draws only 10µA of quiescent current. This pin can be connected to VIN if the enable function is not desired.

FAULT PIN CONNECTIONS

Pin 6 of the MSK 5020 series is the $\overline{\text{Fault}}$ pin. When the output voltage drops 6% or more below its nominal value, the voltage level on the Fault pin drops to a logic low (typically less than 0.1 volts). This pin can be used to drive a light emitting diode or other external circuitry as long as the current is limited to less than 10.0mA (see typical connection diagram). The $\overline{\text{Fault}}$ pin is an open collector output so the high state output voltage will be equal to the pull up voltage since no current flows under these conditions.

FILTER CAPACITOR:

For all applications, the user must connect a 1.0uF capacitor from pin 4 directly to ground. This capacitor is part of the circuit which drives the gate of the internal MOSFETS. Approximately three times the voltage seen on the input will appear across this capacitor. Careful attention must be paid to capacitor voltage rating since voltages larger than the power supply are present.

HEAT SINK SELECTION:

To select a heat sink for the MSK 5020, the following formula for convective heat flow must be used.

Governing Equation:

$$T_j = P_d \times (R_{\theta jc} + R_{\theta cs} + R_{\theta sa}) + T_a$$

WHERE:

T_j = Junction Temperature

P_d = Total Power Dissipation

$R_{\theta jc}$ = Junction to Case Thermal Resistance

$R_{\theta cs}$ = Case to Heat Sink Thermal Resistance

$R_{\theta sa}$ = Heat Sink to Ambient Thermal Resistance

T_a = Ambient Temperature

First, the power dissipation must be calculated as follows:

$$\text{Power Dissipation} = (V_{in} - V_{out}) \times I_{out}$$

Next, the user must select a maximum junction temperature. The absolute maximum allowable junction temperature is 175°C. The equation may now be rearranged to solve for the required heat sink to ambient thermal resistance ($R_{\theta sa}$).

EXAMPLE:

An MSK 5020-3.3 is configured for $V_{in} = +7V$ and $V_{out} = +3.3V$. I_{out} is a continuous 10A DC level. The ambient temperature is +25°C. The maximum desired junction temperature is 150°C. $R_{\theta jc} = 1.0^\circ\text{C/W}$ and $R_{\theta cs} = 0.15^\circ\text{C/W}$ typically.

$$\begin{aligned} \text{Power Dissipation} &= (7V - 3.3V) \times (10A) \\ &= 37 \text{ Watts} \end{aligned}$$

Solve for $R_{\theta sa}$:

$$R_{\theta sa} = \left[\frac{150^\circ\text{C} - 25^\circ\text{C}}{37\text{W}} \right] - 1.0^\circ\text{C/W} - 0.15^\circ\text{C/W}$$

In this example, a heat sink with a thermal resistance of no more than 2.23°C/W must be used to maintain a junction temperature of no more than 150°C.

POWER DISSIPATION:

The output pass transistors in the MSK 5020 are rated to dissipate nearly 200 watts. The limiting factor of this device is effective dissipation of heat generated under such conditions. Careful consideration must be paid to heat dissipation and junction temperature when applying this device.

CURRENT LIMIT CONNECTIONS

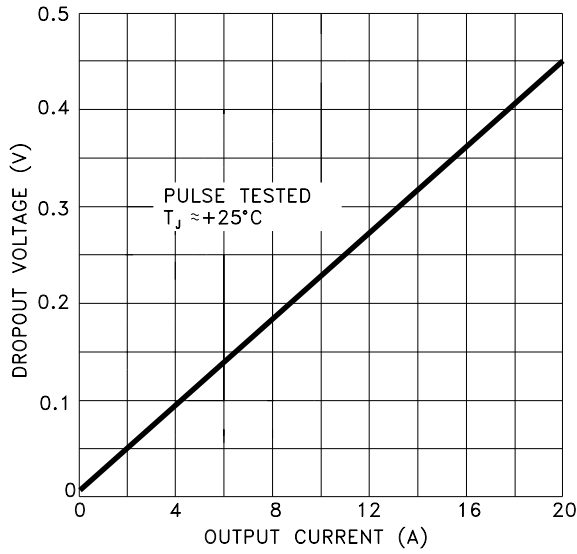
To implement current limiting, a sense resistor (R_{sc}) must be placed from pin 5 to pins 8,9 and 10 as shown in the typical connection diagram. When the voltage drop across the sense resistor reaches 35mV, the internal control loop limits the output current only enough to maintain 35mV across the sense resistor. The device is not disabled. The following formula may be used to find the correct value of sense resistance:

$$R_{sc} = 35\text{mV}/I_{LIM}$$

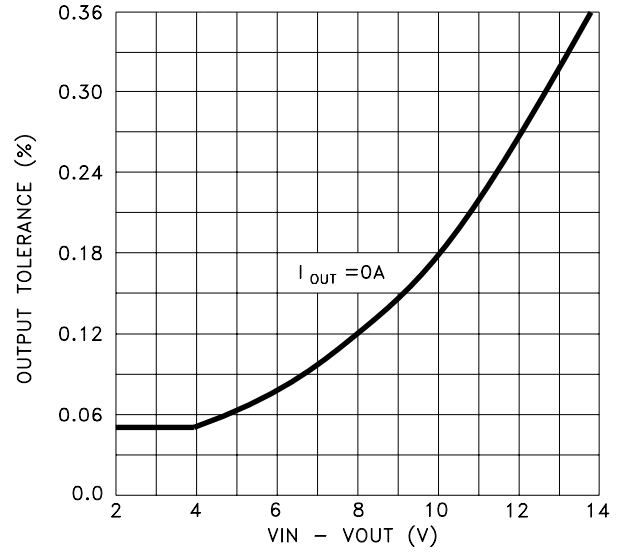
If current limit is not required simply connect the V_{sc} pins directly to the input voltage along with the sense pin. Refer to the typical connection diagram for an illustration.

TYPICAL PERFORMANCE CURVES

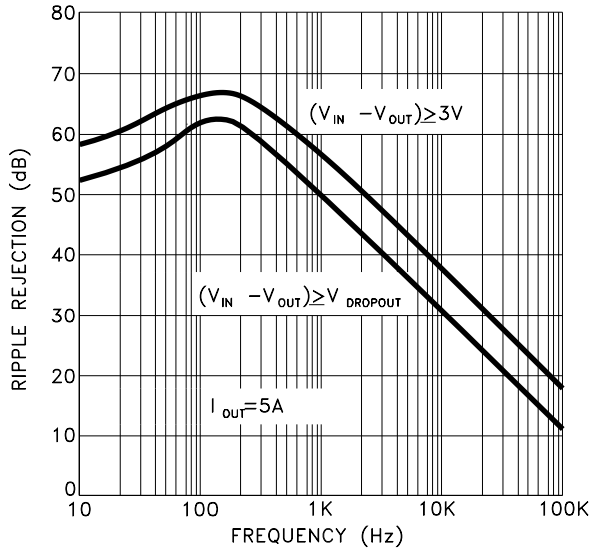
DROPOUT VOLTAGE vs OUTPUT CURRENT



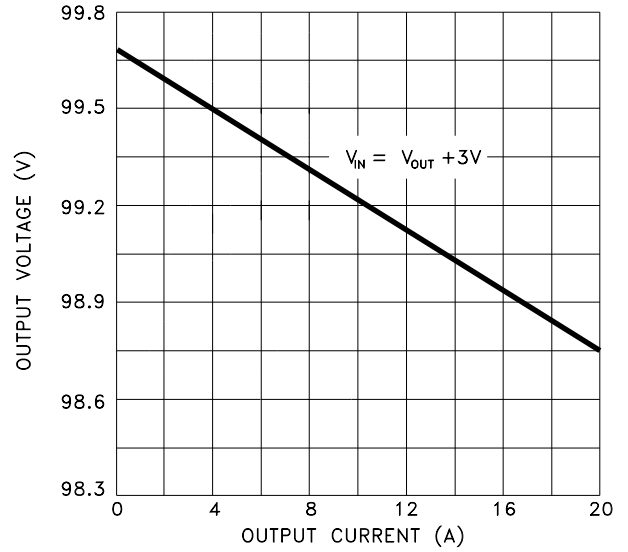
LINE REGULATION



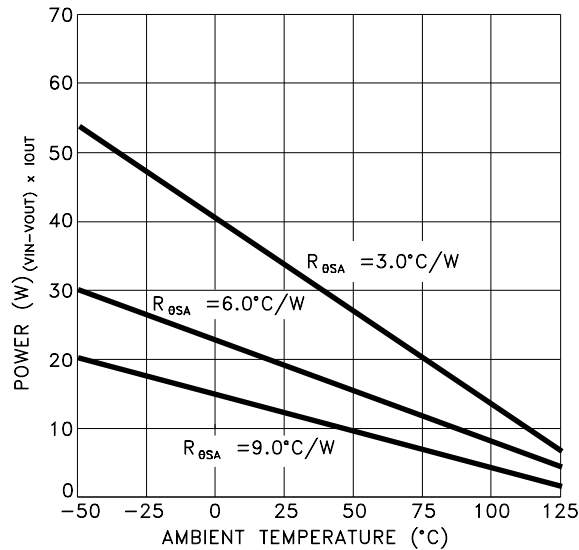
RIPPLE REJECTION vs FREQUENCY



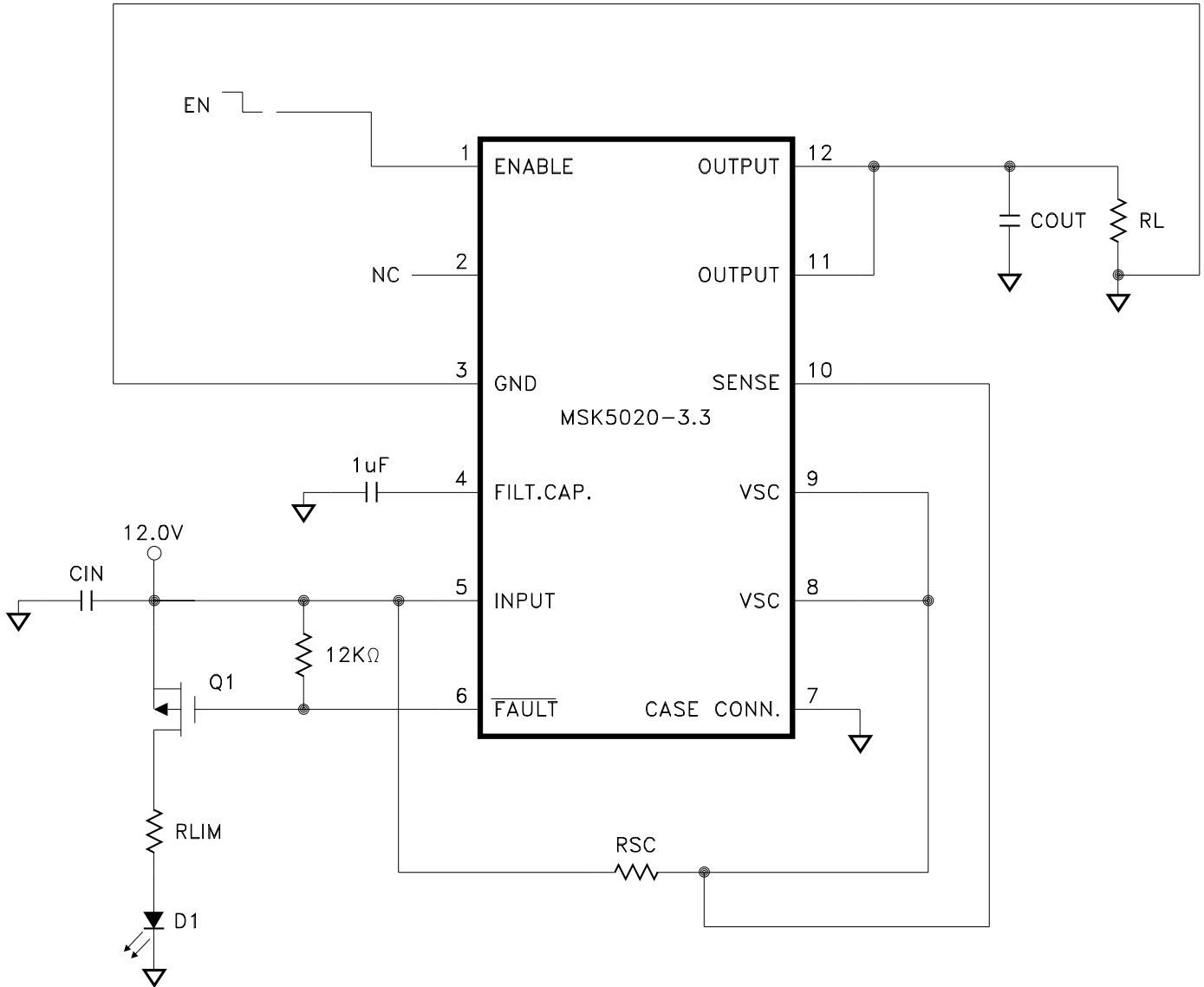
LOAD REGULATION



POWER DISSIPATION vs AMBIENT TEMPERATURE vs THERMAL RESISTANCE OF HEAT SINK CHOSEN

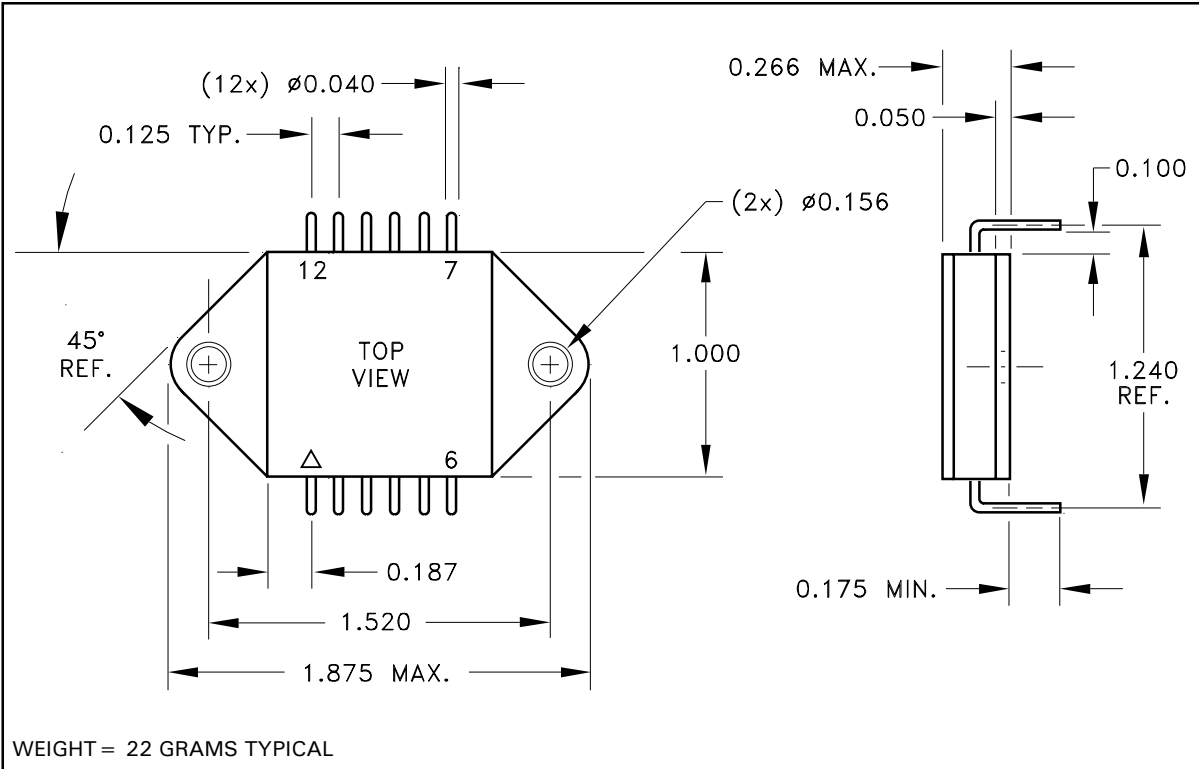


TYPICAL CONNECTION DIAGRAM



The above connection diagram illustrates an MSK 5020-3.3 regulator. Q1 turns on the $\overline{\text{Fault}}$ L.E.D. when pin 6 of the hybrid drops to a logic low. Current into pin 6 is limited to approximately 1mA by the 12K Ω resistor from pin 5 to pin 6. The optimum value of capacitance COUT may vary from one application to the next depending on the load applied. 33 μ F is a good starting point. The ENABLE input is TTL compatible but can be tied to the input voltage when shutdown is not needed. RSC should be selected for the desired current limit. See current limit connections application note.

MECHANICAL SPECIFICATIONS



ESD Triangle indicates Pin 1.

NOTE: ALL DIMENSIONS ARE ± 0.010 INCHES UNLESS OTHERWISE LABELED.

ORDERING INFORMATION

MSK5020-3.3 B

SCREENING

BLANK = INDUSTRIAL; E = EXTENDED RELIABILITY

B = MIL-PRF-38534 CLASS H

OUTPUT VOLTAGE

3.3 = +3.3V; 5.0 = +5.0V; 12.0 = +12.0V

GENERAL PART NUMBER

The above example is a +3.3V, Military regulator.

M.S. Kennedy Corp.
 4707 Dey Road, Liverpool, New York 13088
 Phone (315) 701-6751
 FAX (315) 701-6752
 www.mskennedy.com

The information contained herein is believed to be accurate at the time of printing. MSK reserves the right to make changes to its products or specifications without notice, however, and assumes no liability for the use of its products.

Please visit our website for the most recent revision of this datasheet.

Contact MSK for MIL-PRF-38534 qualification status.