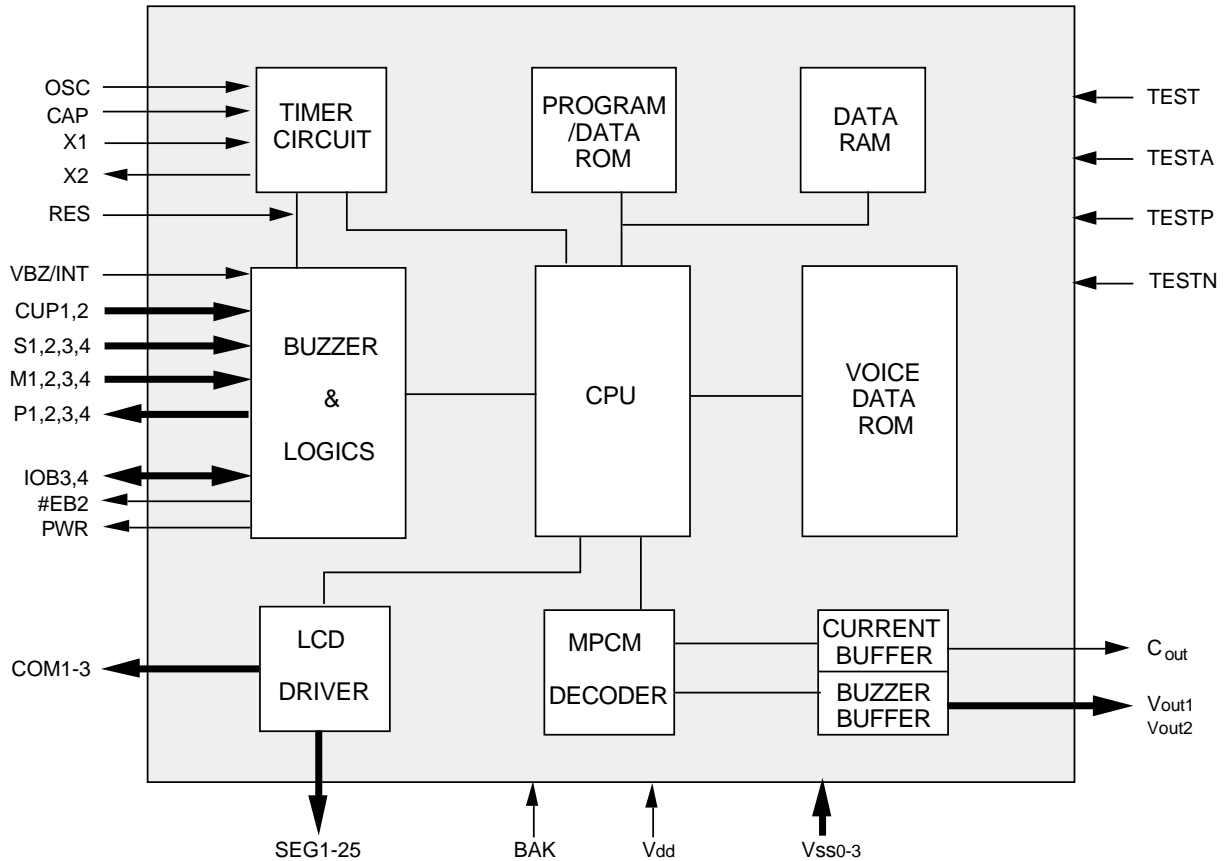


**General Description**

The MSu001 is a monolithic talking microcomputer that can memorize voice up to 22 seconds using MOSEL qualified coding method(MPCM). It's an integration of traditional 4-bit microcomputer and voice chip with minimal external components. LCD driver and miscellaneous interface are provided for versatile applications. With more than 10K ROM/RAM inside, this chip meets every intelligent novelty. Customer requested function and voice data will be built in by changing masks during fabrication.

**Block Diagram**



See 12-page PID 219D 02/96 for details which belongs to MSU001.

Taiwan  
#1, Creation Road I,  
Science - based Industrial Park,  
Hsinchu, 30077  
Taiwan, ROC  
"audio\_reply @ccmail.mosel.com.tw"  
TEL: 886-3-5770055  
FAX: 886-3-5772788  
FAX: 886-3-5784732

Taipei  
7F, #102 Sec. 3,  
Ming Chung E. Road,  
Taipei,105  
Taiwan, ROC  
TEL: 886-2-5451213  
FAX: 886-2-5451214

Hongkong  
#19 Dai Fu Street,  
Taipo Industrial Estate,  
Taipo, N.T.  
Hongkong  
TEL: 852-2388-8277(MKO)  
TEL: 852-2665-4883  
FAX: 852-2664-2406  
FAX: 852-2770-8011(MKO)

U.S.A.  
#3910 North First Street,  
San Jose,  
CA. 65134-1501  
U.S.A.  
TEL: 1-408-433-6000  
FAX: 1-408-433-0952