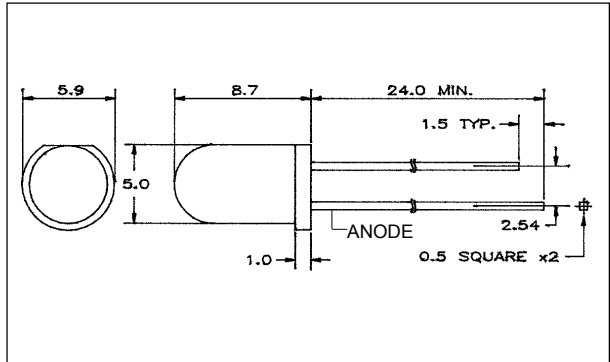


# Standard T-1 $\frac{3}{4}$ LED Lamps

## FEATURES

- Excellent on/off contrasts
- Choice of white diffused or water clear lens
- Other colors/materials available
- Option of standoffs or hard leads
- Can be packaged on tape in a reel or in a box

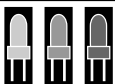


## MAXIMUM RATINGS (Ta = 25°C)

PART NO.	FORWARD CURRENT (I <sub>f</sub> ) (mA)	REVERSE VOLTAGE (V <sub>r</sub> ) (V)	POWER DISSIPATION (P <sub>D</sub> ) (mW)	OPERATING TEMPERATURE (T <sub>opr</sub> ) (°C)	STORAGE TEMPERATURE (T <sub>stg</sub> ) (°C)
MT1218-RG	30	5.0	85	-25~+85	-25~+100
MT2218-G	30	5.0	85	-25~+85	-25~+100
MT3218-Y	30	5.0	85	-25~+85	-25~+100
MT4218-HR	30	5.0	85	-25~+85	-25~+100
MT1318-RG	30	5.0	85	-25~+85	-25~+100
MT2318-G	30	5.0	85	-25~+85	-25~+100
MT3318-Y	30	5.0	85	-25~+85	-25~+100
MT4318-HR	30	5.0	85	-25~+85	-25~+100

## OPTO-ELECTRICAL CHARACTERISTICS (Ta = 25°C)

PART NO.	MATERIAL	LENS COLOR	VIEWING ANGLE typ.	LUMINOUS INTENSITY (mcd)			FORWARD VOLTAGE (V)			REVERSE CURRENT		PEAK WAVE LENGTH
				min.	typ.	@mA	typ.	max.	@mA	μA	V <sub>r</sub>	nm
MT1218-RG	GaP	White Diff	44°	1.4	3.6	20	2.1	3.0	20	100	5	700
MT2218-G	GaP	White Diff	44°	7.2	100	20	2.1	3.0	20	100	5	567
MT3218-Y	GaAsP/GaP	White Diff	44°	5.8	65	20	2.1	3.0	20	100	5	585
MT4218-HR	GaAsP/GaP	White Diff	44°	8.2	75	20	2.1	3.0	20	100	5	635
MT1318-RG	GaP	Water Clear	22°	5.0	12.4	20	2.1	3.0	20	100	5	700
MT2318-G	GaP	Water Clear	22°	24.2	330	20	2.1	3.0	20	100	5	567
MT3318-Y	GaAsP/GaP	Water Clear	22°	19.8	210	20	2.1	3.0	20	100	5	585
MT4318-HR	GaAsP/GaP	Water Clear	22°	28.0	250	20	2.1	3.0	20	100	5	635



**marktech**  
**optoelectronics**

120 Broadway • Menands, New York 12204

Toll Free: (800) 98-4LEDS • Fax: (518) 432-7454