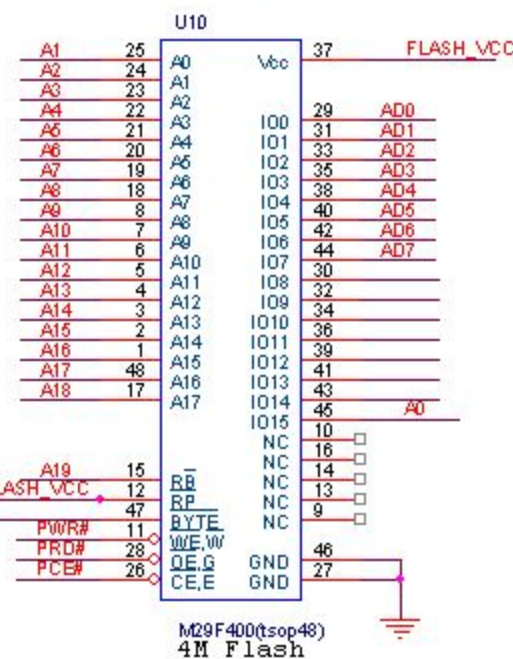
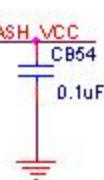
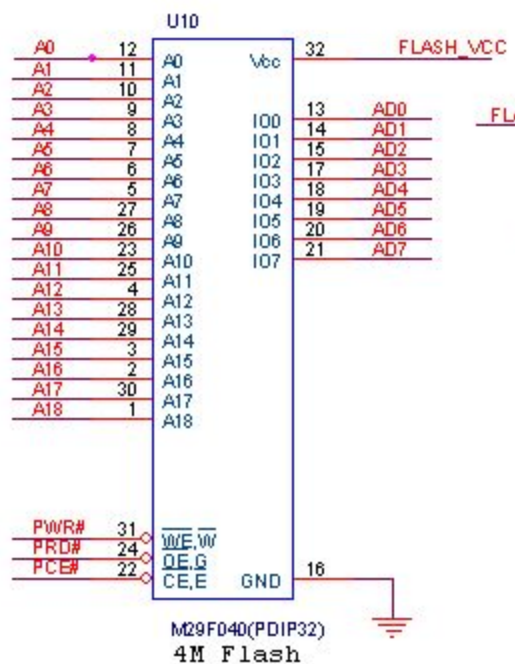
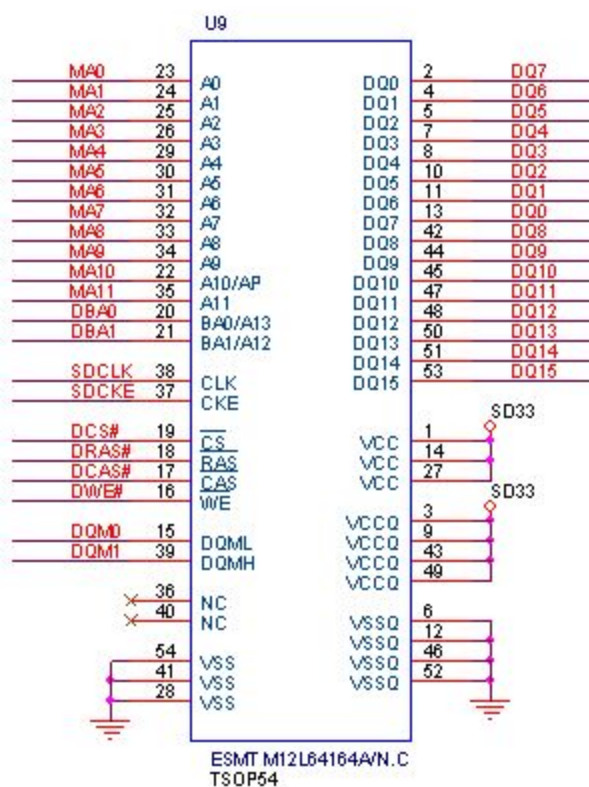
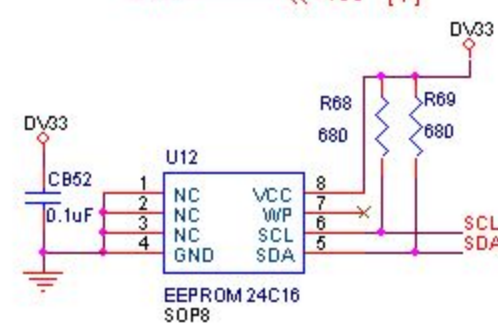
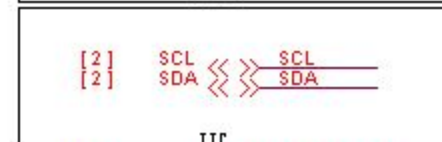
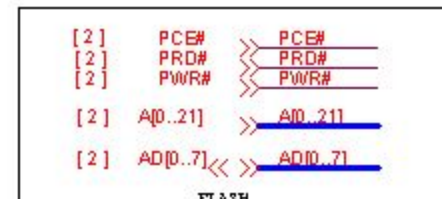
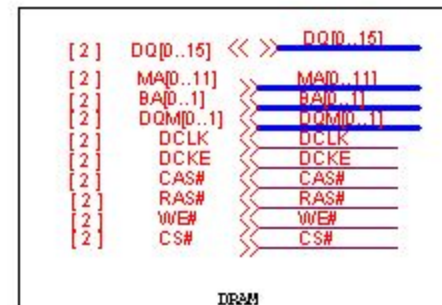
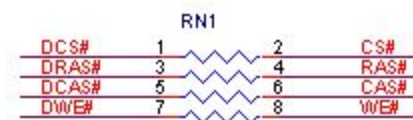
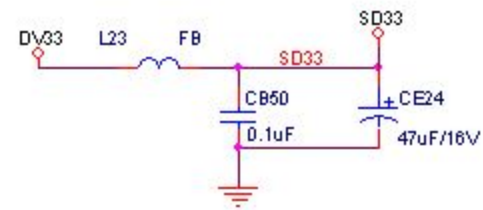
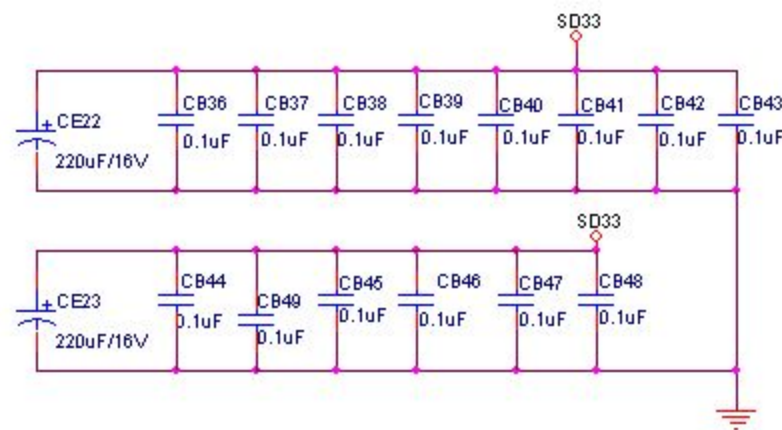
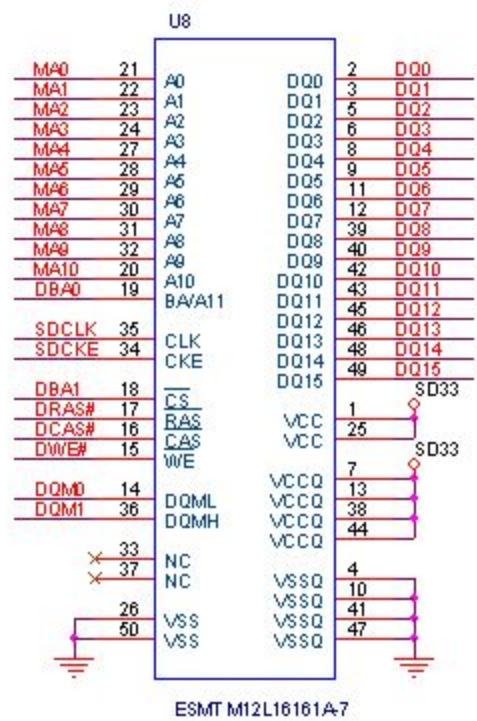
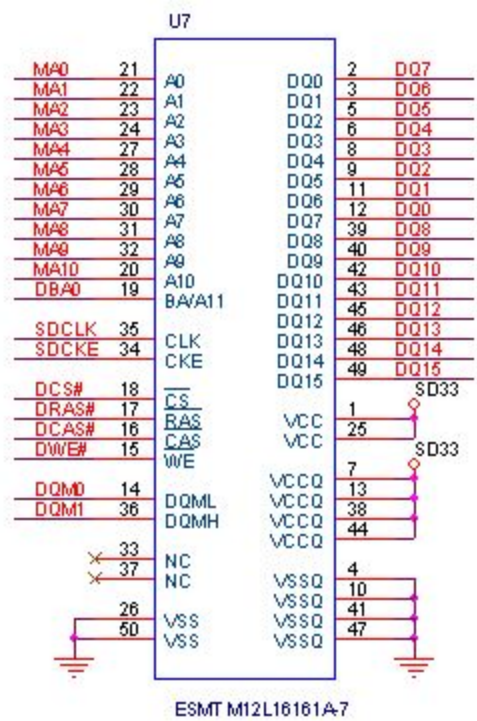


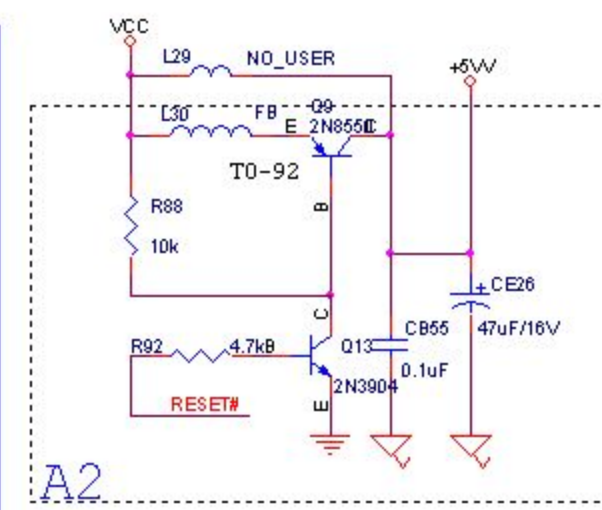
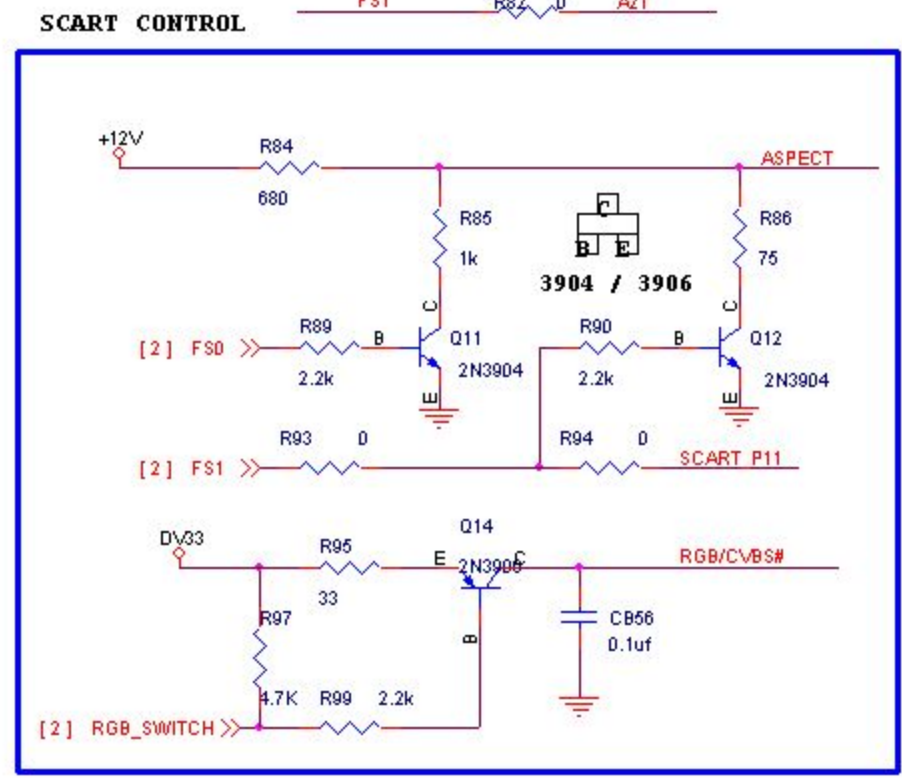
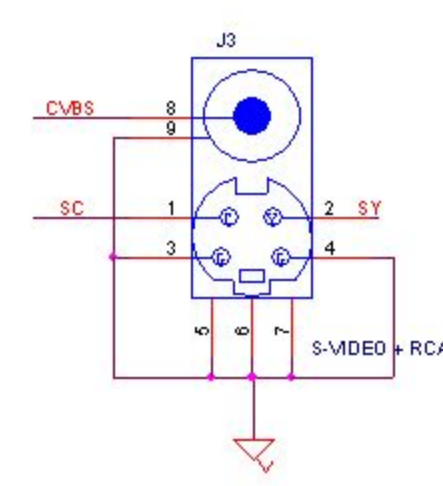
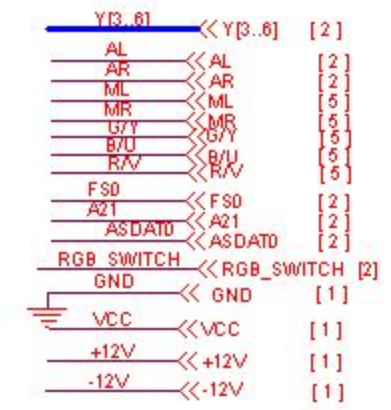
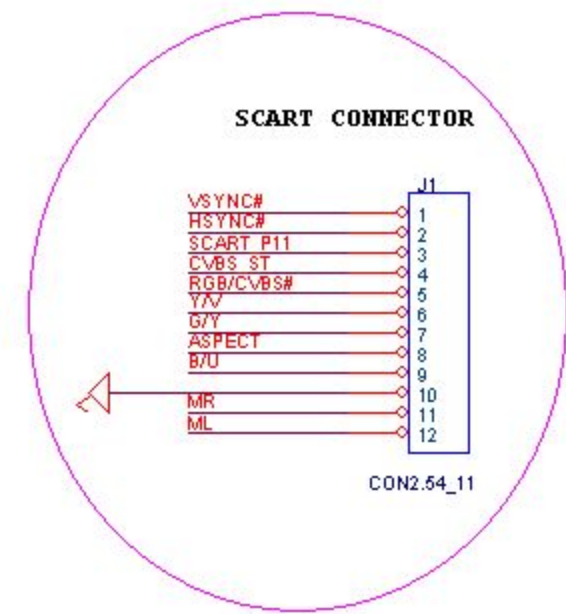
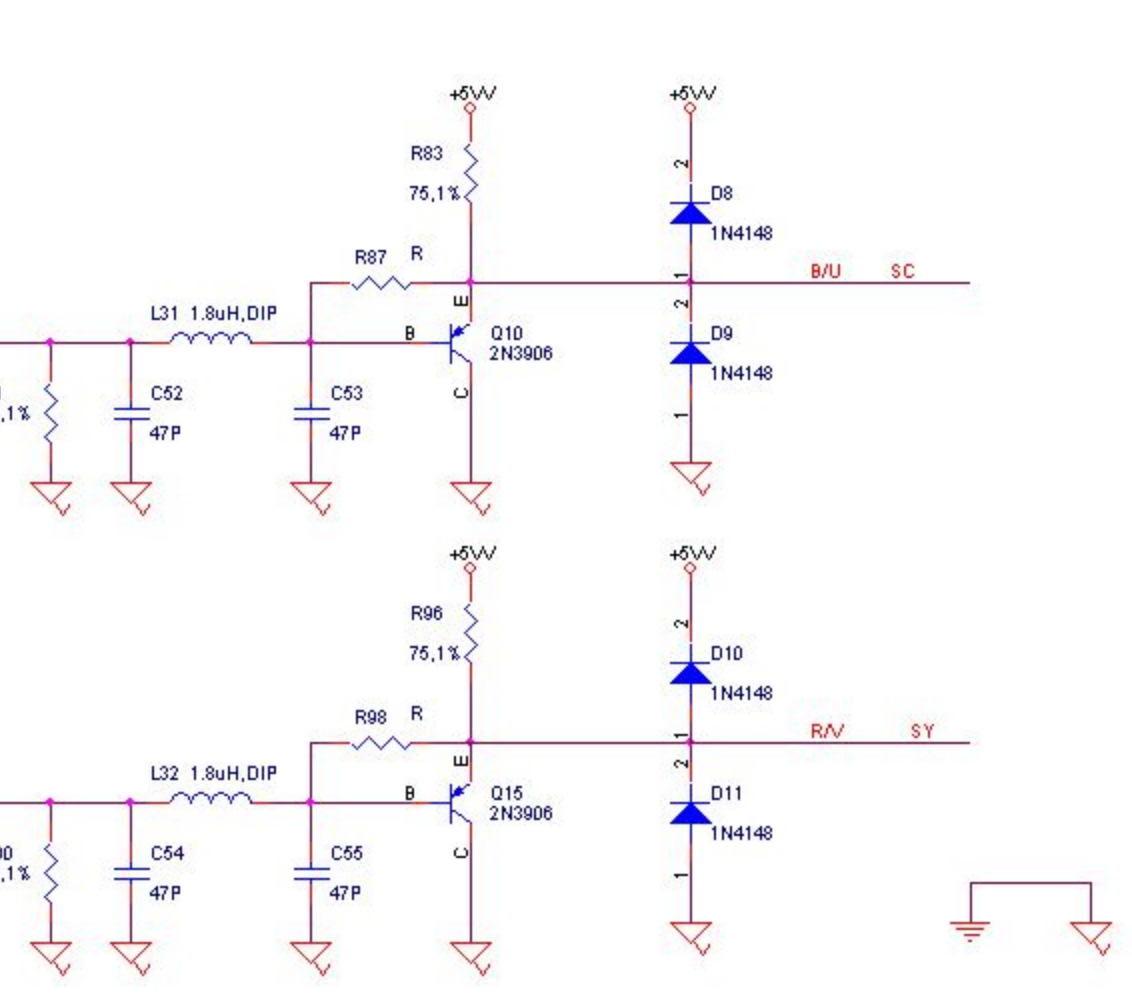
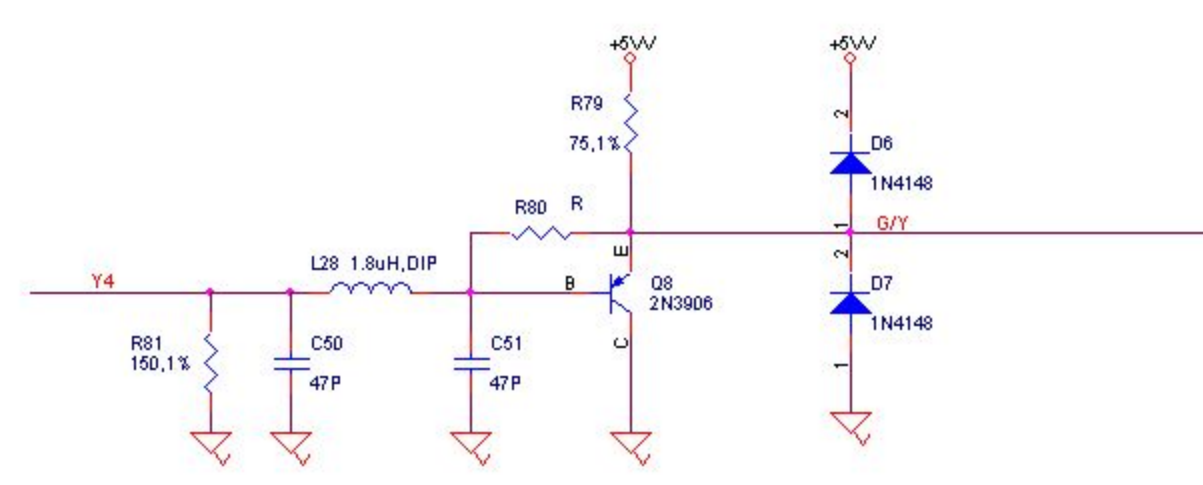
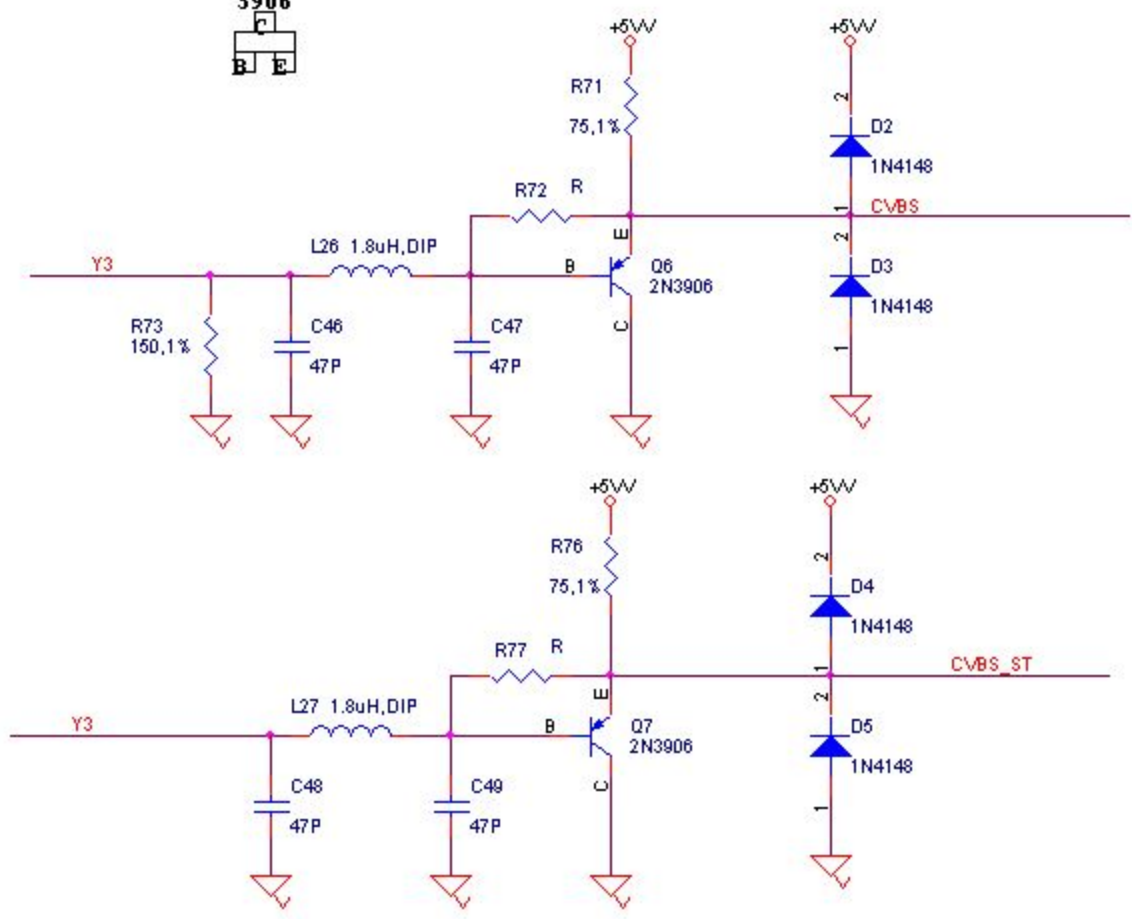
# MT1389D V1.7

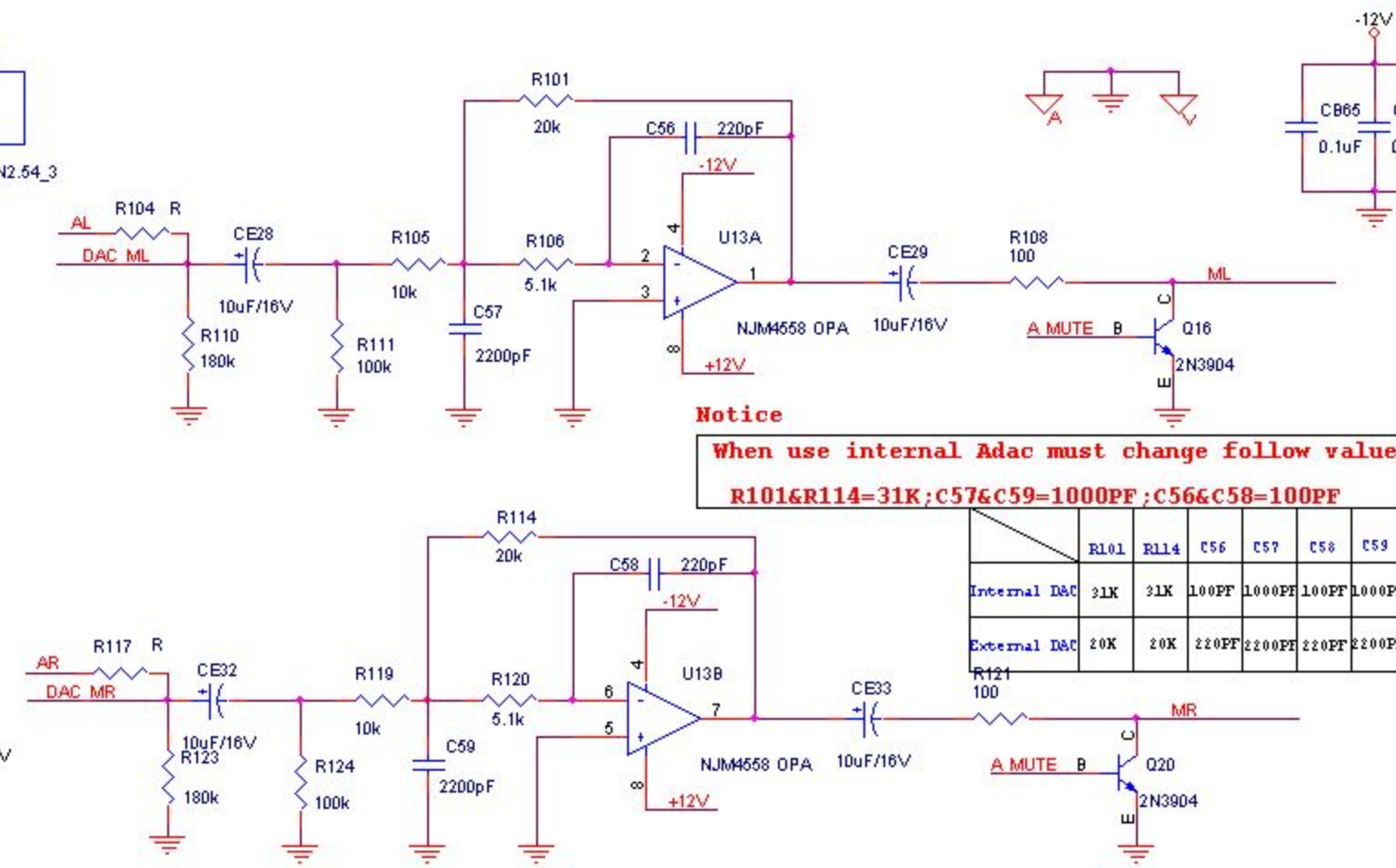
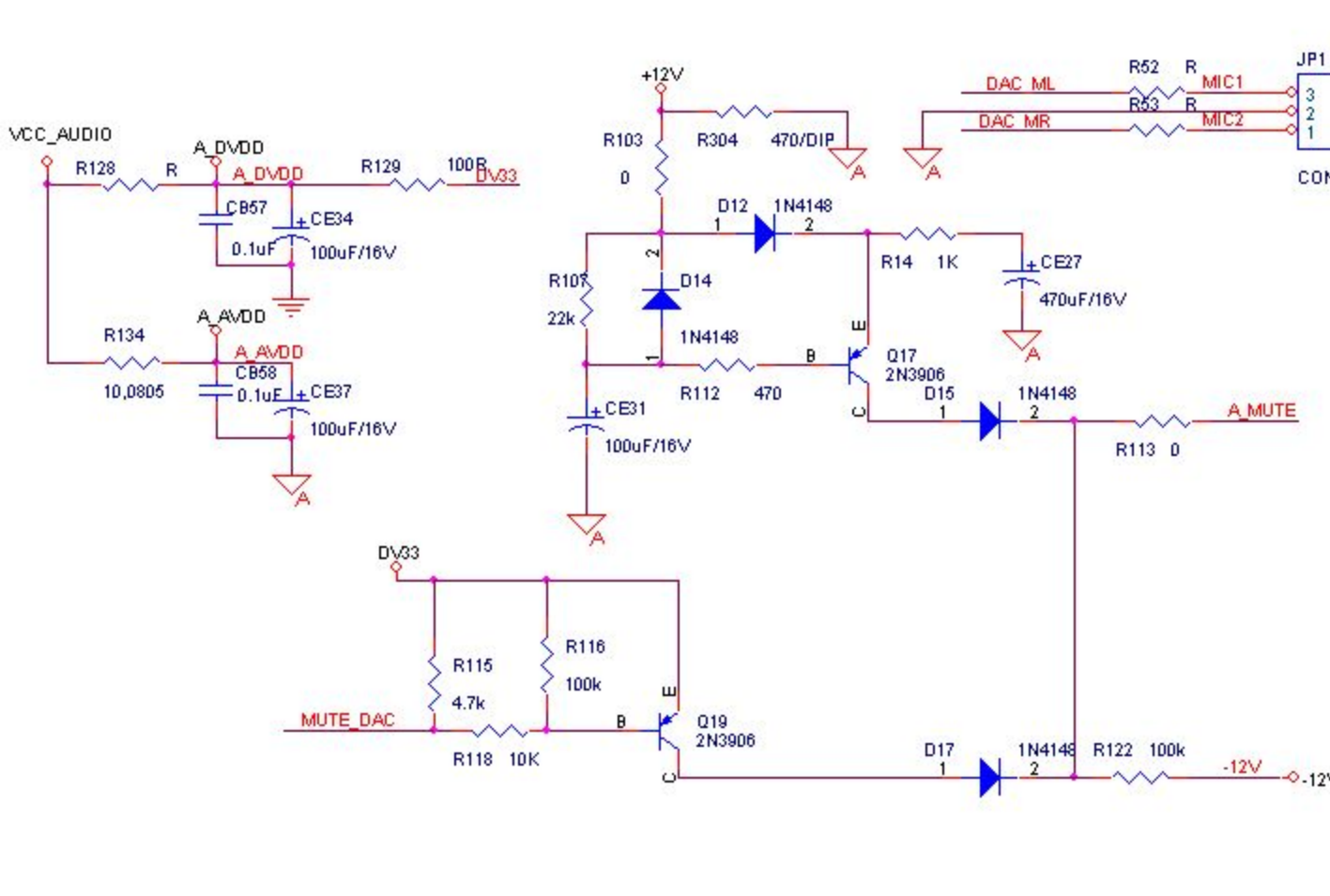
1	AGND	182	ACLK
2	DVDA	181	ABCK
3	DVDB	160	
4	DVDC	159	DVSS
5	DVDD	158	GPIO5
6	DVDRFIP	157	GPIO4
7	DVDRFIN	156	GPIO3
8	MA	155	DVDD3
9	MB	154	MA4
10	MC	153	MA5
11	MD	152	MA6
12	SA	151	MA7
13	SB	150	MA8
14	SC	149	MA9
15	SD	148	MA11
16	SD FON	147	DCKE
17	CD FOP	146	DCLK
18	TNI	145	DVSS
19	TPI	144	MA3
20	MDI1	143	DVDD3
21	MDI2	142	BA1
22	LD02	141	MA1
23	LD01	140	MA0
24	LD01	139	MA10
25	SVDD3	138	RA10
26	CS0/RFP	137	DVDD18
27	RFLV/RFON	136	BA0
28	S GND	135	RCS#
29	VZREF0	134	RAS#
30	VZ0	133	RAS#
31	VREF0	132	DVDD18
32	FE0	131	CAS#
33	TE0	130	RWE#
34	TEZISLV	129	DVSS
35	OP_OUT	128	DM1
36	OP_INN	127	DM0
37	DM0	126	RD9
38	FMO	125	RD10
39	TROPENPWM	124	RD11
40	PWMOUTI/ADINO	123	RD12
41	TR0	122	DVDD3
42	F00	121	RD13
43	F00	120	RD14
44	FG/ADIN1	119	DVSS
45	GPIO0	118	RD0
46	GPIO1	117	RD1
47	GPIO2	116	RD2
48	IOA2	115	DVSS
49	IOA3	114	RD3
50	IOA4	113	RD4
51	IOA5	112	RD5
52	IOA6	111	RD6
53	IOA7	110	RD7
54	HIGHA0	109	DOMD
55	IOA18		
56	DVSS		
57	DVDD3		
58	DVDD3		
59	IOA18		
60	A16		
61	DVDD3		
62	HIGHA7		
63	HIGHA6		
64	HIGHA5		
65	HIGHA4		
66	HIGHA3		
67	HIGHA2		
68	HIGHA1		
69	IOA20		
70	IOCS#		
71	IOA1		
72	DVSS		
73	IOA1		
74	DVSS		
75	AD0		
76	AD1		
77	AD2		
78	AD3		
79	AD4		
80	AD5		
81	AD6		
82	AD7		
83	ALE		
84	A0		
85	A1		
86	A2		
87	A3		
88	A4		
89	A5		
90	UR#		
91	UR#		
92	UP1_2		
93	UP3_3		
94	UP4_4		
95	UP5_5		
96	UP6_6		
97	UP7_7		
98	UP8_8		
99	UP9_9		
100	UP10_10		
101	UP11_11		
102	UP12_12		
103	UP13_13		
104	UP14_14		
105	UP15_15		
106	UP16_16		
107	UP17_17		
108	UP18_18		

MUTE_DAC	<< MUTE_DAC	[5]
URST#	<< URST#	[1]
Y3_6I	<< Y3_6I	[5]
FSD	<< FSD	[4]
VIDEO INTERFACE		
AD_21I	<< AD_21I	[3]
AD_0_7I	<< AD_0_7I	[3]
PRD#	<< PRD#	[3]
PWR#	<< PWR#	[3]
PCE#	<< PCE#	[3]
FLASH		
MA0_11I	<< MA0_11I	[3]
DD_16I	<< DD_16I	[3]
BA_11I	<< BA_11I	[3]
DOMD_11	<< DOMD_11	[3]
DCLK	<< DCLK	[3]
MEMORY		
DCKE	<< DCKE	[3]
CAS#	<< CAS#	[3]
RAS#	<< RAS#	[3]
WE#	<< WE#	[3]
CS#	<< CS#	[3]
IIC		
SCL	<< SCL	[3]
SDA	<< SDA	[3]
AUDIO INTERFACE		
ASDAT0_2I	<< ASDAT0_2I	[5]
AL	<< AL	[5]
AR	<< AR	[5]
VSCK	<< VSCK	[5]
VSDA	<< VSDA	[5]
ASTB	<< ASTB	[5]
ALCK	<< ALCK	[5]
ABCK	<< ABCK	[5]
ASPDIF	<< ASPDIF	[4]
GND << GND [1,2,3,4,5]		
DV33 << DV33 [1]		
VCC << VCC [1]		



3906

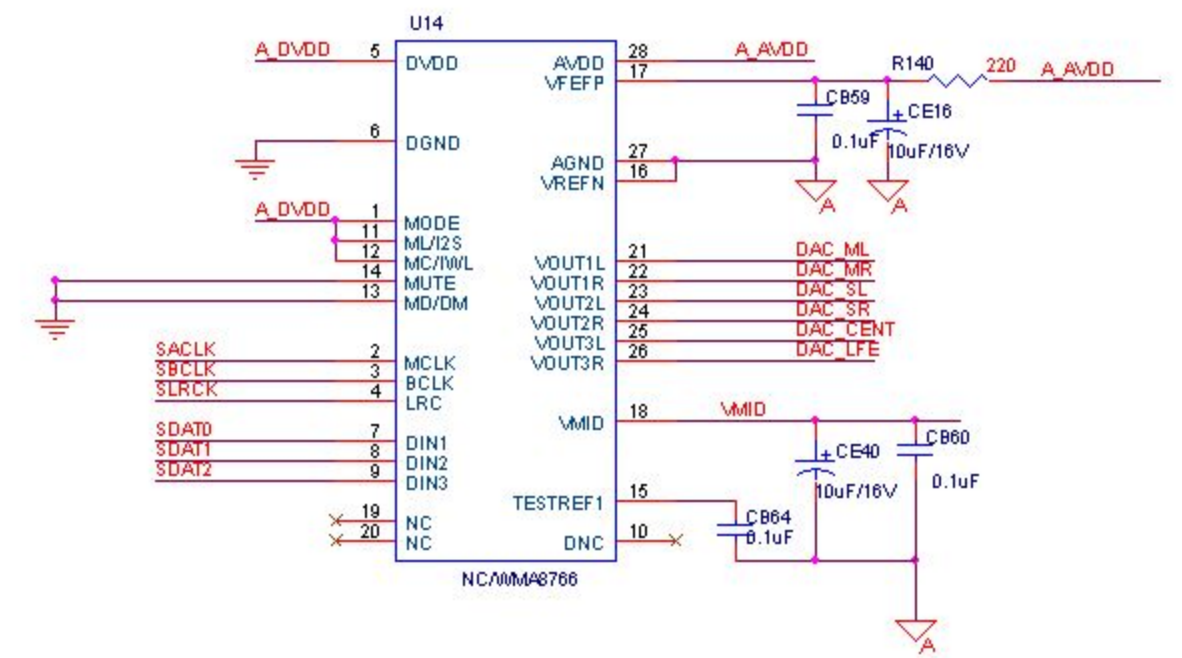
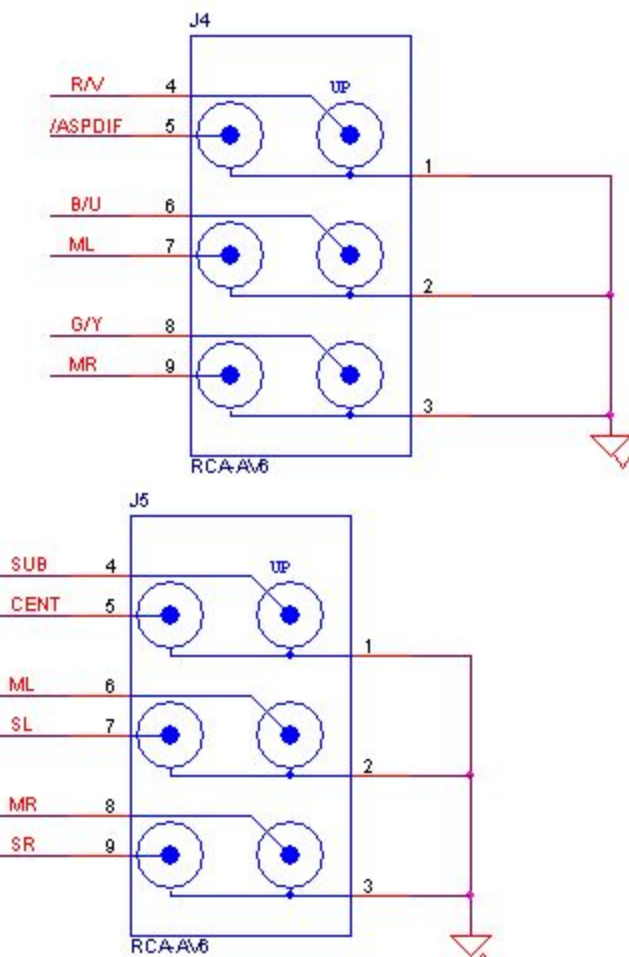
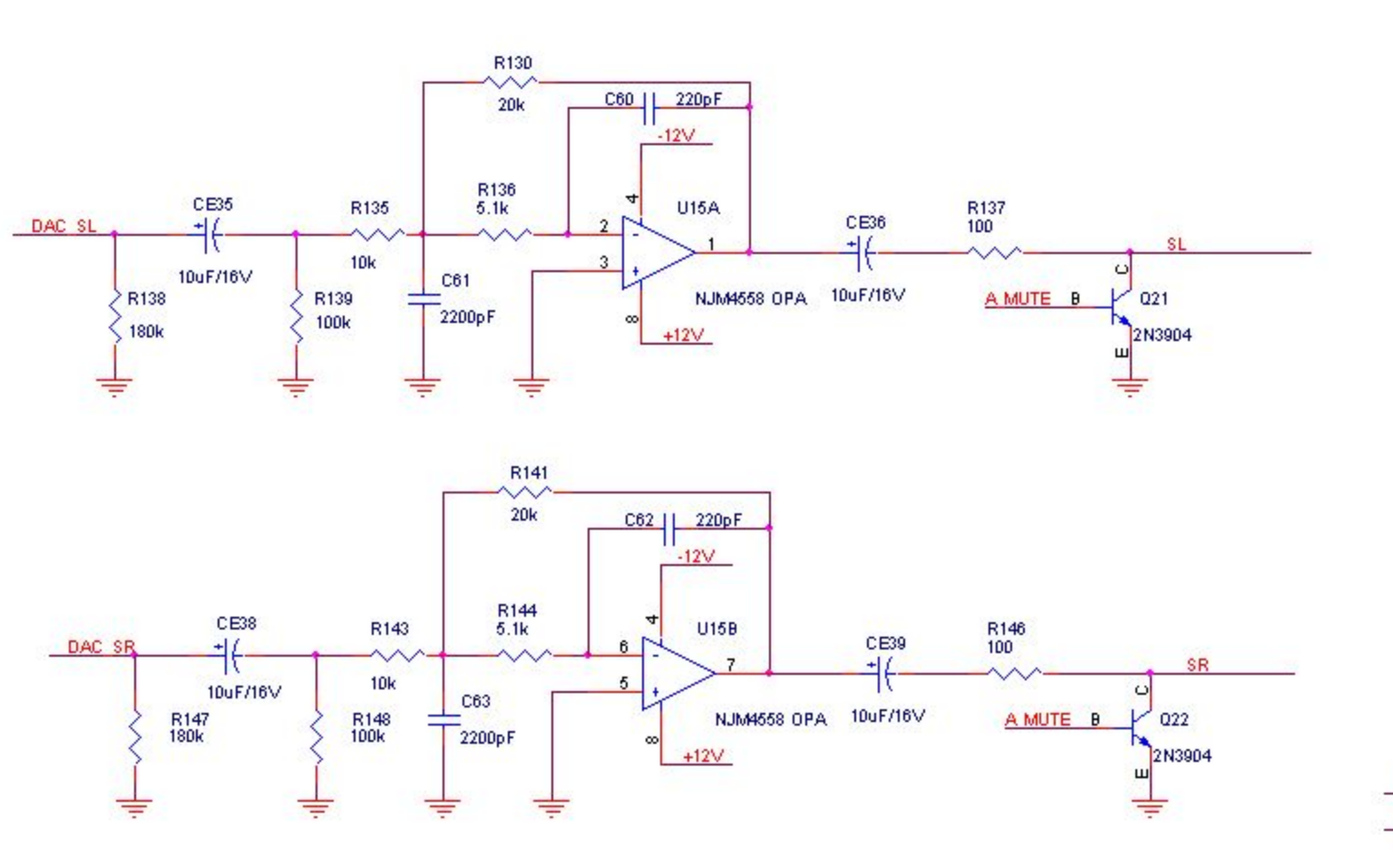
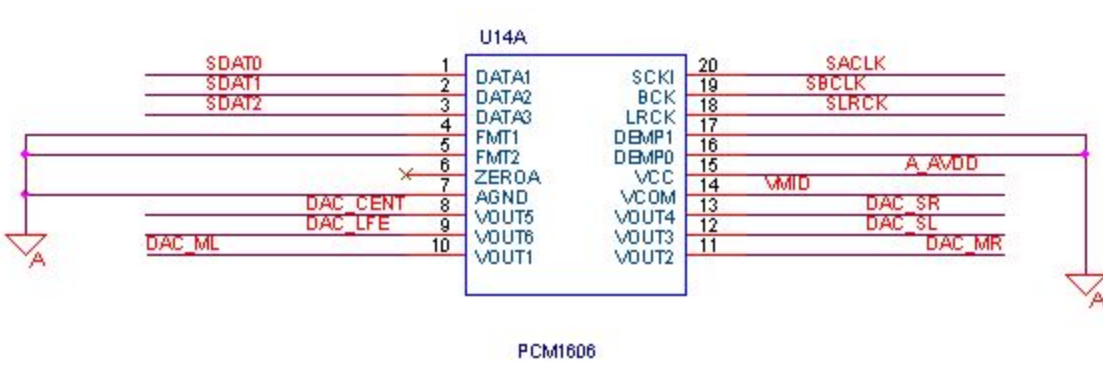
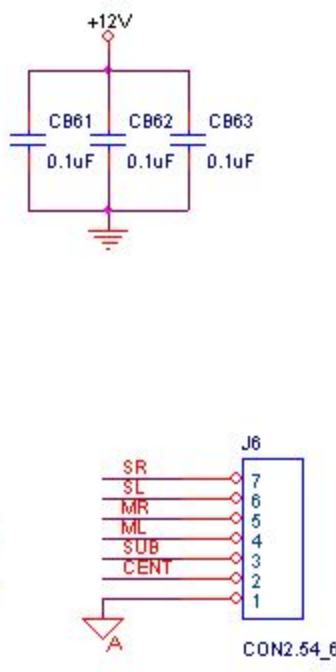




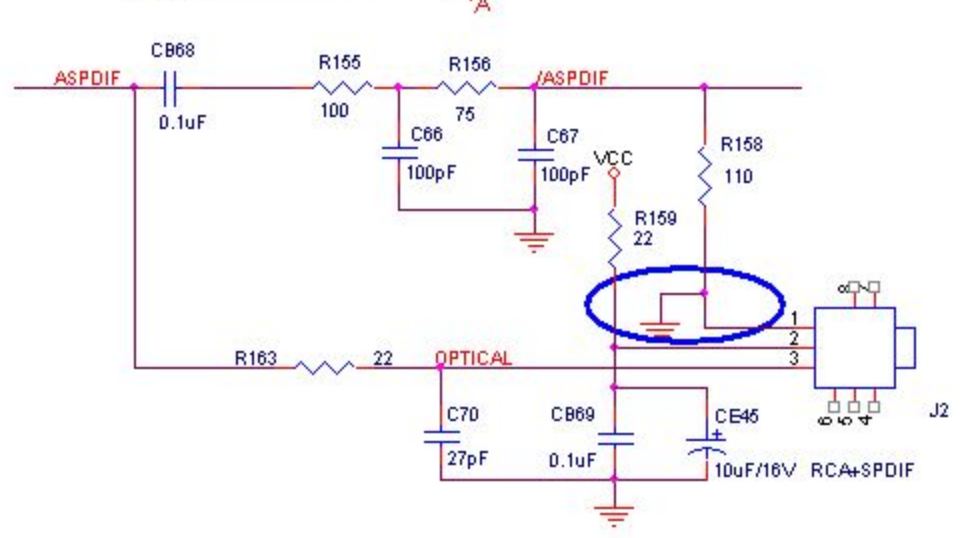
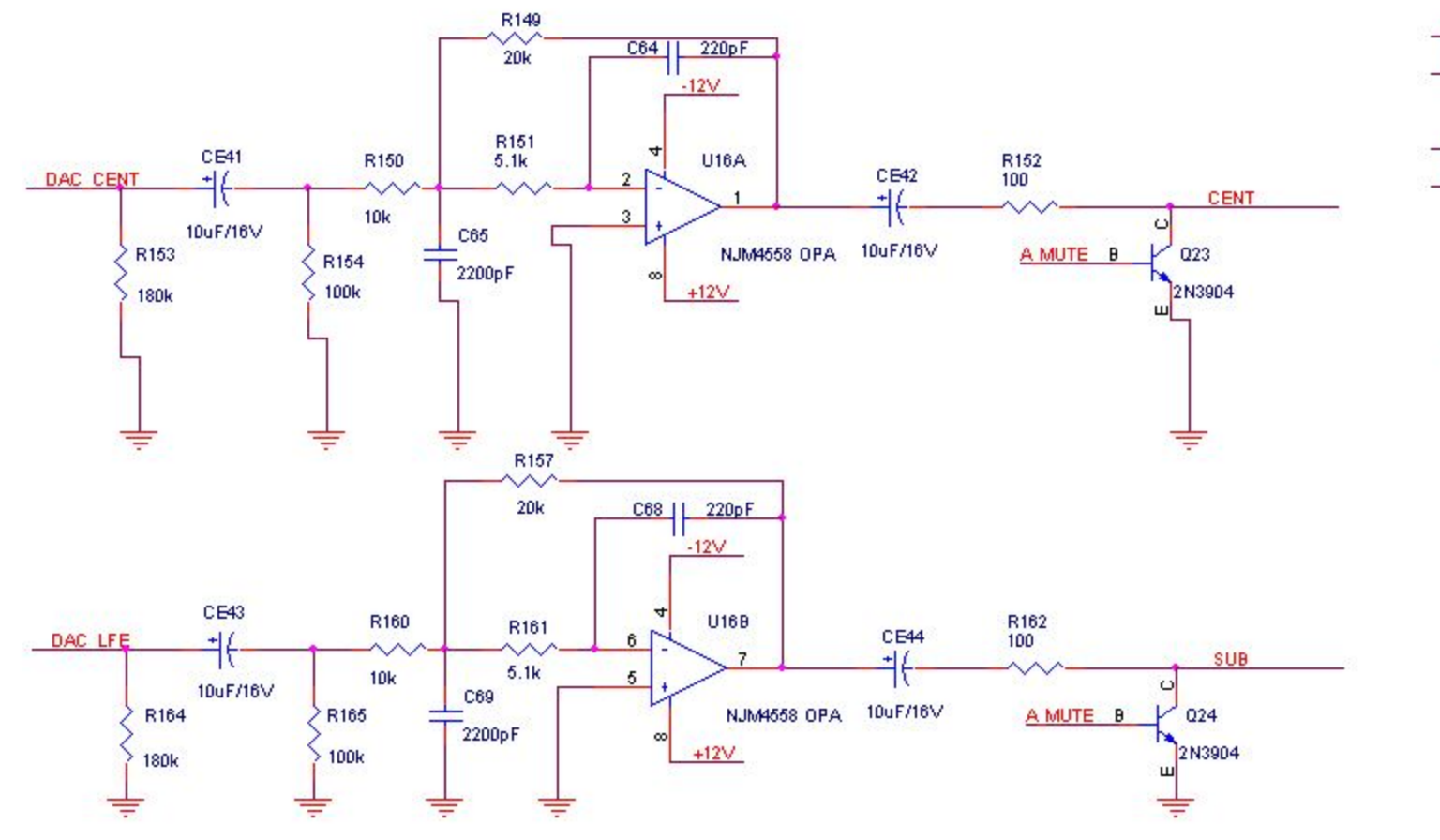
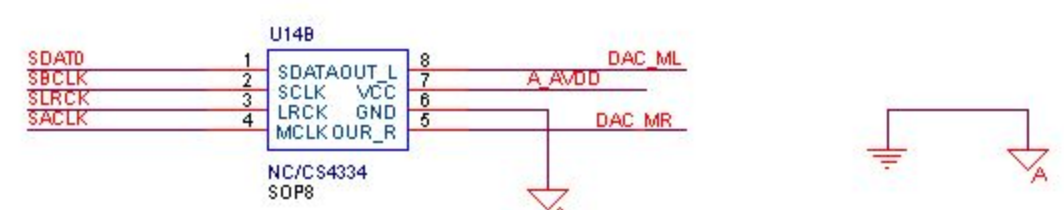
**Notice**  
When use internal Adac must change follow value  
R101&R114=31K; C57&C59=1000PF; C56&C58=100PF

	R101	R114	C56	C57	C58	C59
Internal DAC	31K	31K	100PF	1000PF	1000PF	1000PF
External DAC	20K	20K	220PF	2200PF	2200PF	2200PF

- G/Y >> G/Y [4]
- B/U >> B/U [4]
- R/V >> R/V [4]
- [1] -12V >> -12V
- [1] +12V >> +12V
- [1] DV3 >> DV3
- [1] VCC >> VCC
- [1] VCC\_AUDIO >> VCC\_AUDIO
- [1,2,3,5] GND >> GND
- [2] AL >> AL
- [2] AR >> AR
- [2] ASPDIF >> ASPDIF
- [2] ASDAT[0..2] >> ASDAT[0..2]
- [2] ACLK >> ACLK
- [2] ABCK >> ABCK
- [2] ALRCK >> ALRCK
- [2] MUTE\_DAC >> MUTE\_DAC
- [4] ML >> ML
- [4] MR >> MR
- ACLK R125 >> 33 SACLK
- ALRCK R126 >> 33 SLRCK
- ABCK R127 >> 33 SBCLK
- ASDAT0 R131 >> 33 SDAT0
- ASDAT1 R132 >> 33 SDAT1
- ASDAT2 R133 >> 33 SDAT2



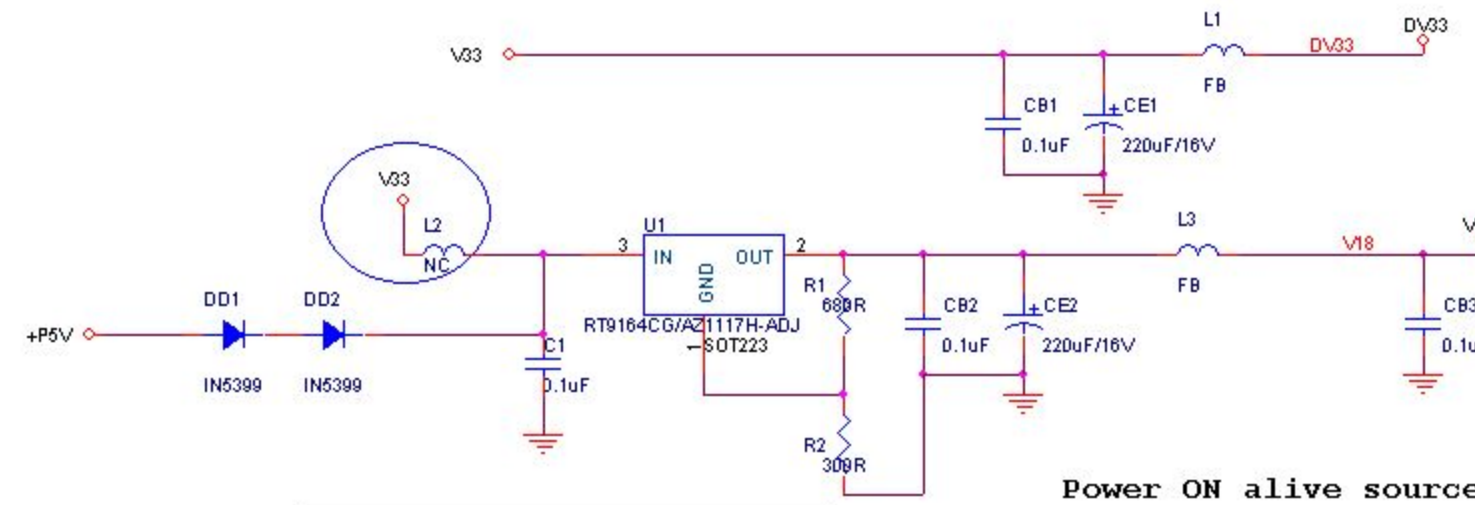
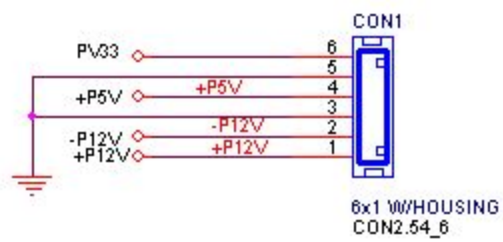
**HARDWARE: IIS 24BIT**



## MT1389D (LQFP216) DVD Demo Board for Sanyo Slim HD60 PUH

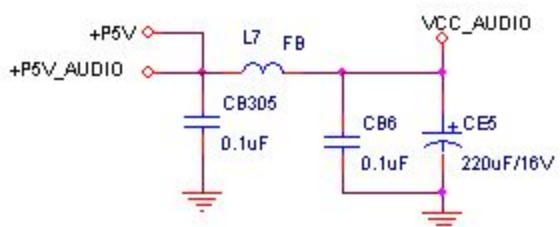
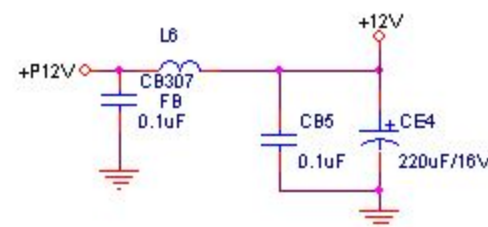
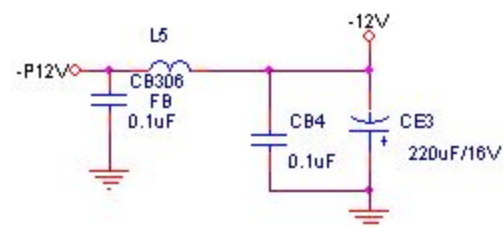
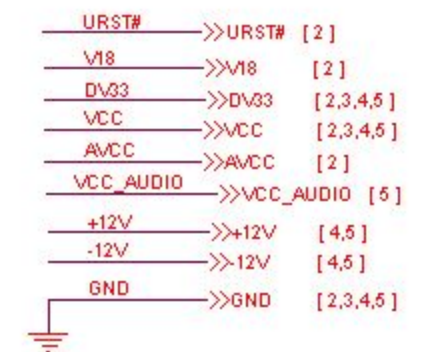
- 1 INDEX & POWER, RESET
- 2 RF, SERVO & MPEG - MT1389E
- 3 MEMORY - SDRAM, FLASH/EEPROM
- 4 VIDEO OUT
- 5 AUDIO DAC WMA8766

NAME	TYPE	DEVICE
VCC	Digital 5V	SUPPLY
DV33	Digital 3.3V	MT1389E
RFV33	Servo 3.3V	MT1389E
LDO_AV33	Laser Diode 3.3V	
AVCC	RF 5V	PICKUP HEADER
V18	Digital 1.8V	MT1389E
SD33	Digital 3.3V	SDRAM
+12V	Audio +12V	OP AMP.
-12V	Audio -12V	OP AMP.
AVDD	Audio 5V	Audio DAC
DVDD	Audio 3V3	Audio DAC



Power ON alive source

Regulator	R2	R1
Fix regulator	0 ohm	OFF
Adj regulator	300 1%	680 1%



PV33 V33

