



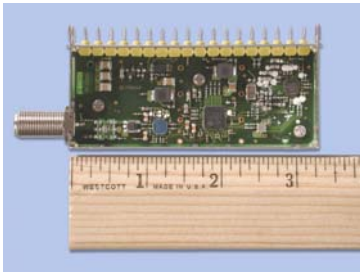
M I C R O T U N E®

RF SILICON AND SUBSYSTEMS SOLUTIONS  
FOR BROADBAND COMMUNICATIONS AND AUTOMOTIVE ELECTRONICS

## MT5100 VIDEOCASTER™ SINGLE-CHANNEL UPCONVERTER MICROMODULE

### PRODUCT BRIEF

The MT5100 VideoCaster is a single-channel upconverter designed to reduce space, power and costs for Video-on-Demand (VOD), Satellite Master Antenna Television networks (SMATV) and low-cost upconverter solutions.



The Microtune® MT5100 VideoCaster is a high-quality, fully tested, frequency agile upconverter solution designed specifically for high-density and low-cost upconverter systems.

The subsystem converts an IF signal with a bandwidth of up to 16 MHz (two adjacent IF signals) and centered at an intermediate frequency of 36.125 MHz or 44.00 MHz to any RF output frequency between 50 MHz and 860 MHz. The output level can be adjusted in step sizes of 0.1 dB between 45 dBmV and 58 dBmV.

The VideoCaster micromodule reduces development time for designers by providing a fully-tested upconverter module and reference control software that can simplify integration into new or existing networks.

### APPLICATIONS

- Video On Demand (VOD) and other digital on-demand content
- SMATV solutions for hospitals, hotels, apartments and other closed circuit broadband systems
- Low-cost upconverter solutions
- IF-to-RF converter solutions

### FEATURES

- IF input selectable between 36.125 MHz and 44.00 MHz
- Fully programmable via 2-wire serial interface
- 50 MHz to 860 MHz output programmable in 12.5 kHz steps
- Output power adjustable from 45 dBmV to 58 dBmV in 0.1 dB steps
- Built-in fault detection ensures robust system operation
- Built-in, factory calibrated power detector allows accurate setting and monitoring of the output level via 2-wire serial control interface
- Capable of converting two adjacent IF channels of up to 8 MHz bandwidth each
- Scalable solution
- Conserves space, power and cost
- Reduces development time

M I C R O T U N E

# MT5100 VIDEOCASTER

## PRODUCT BRIEF

### OPERATING CHARACTERISTICS

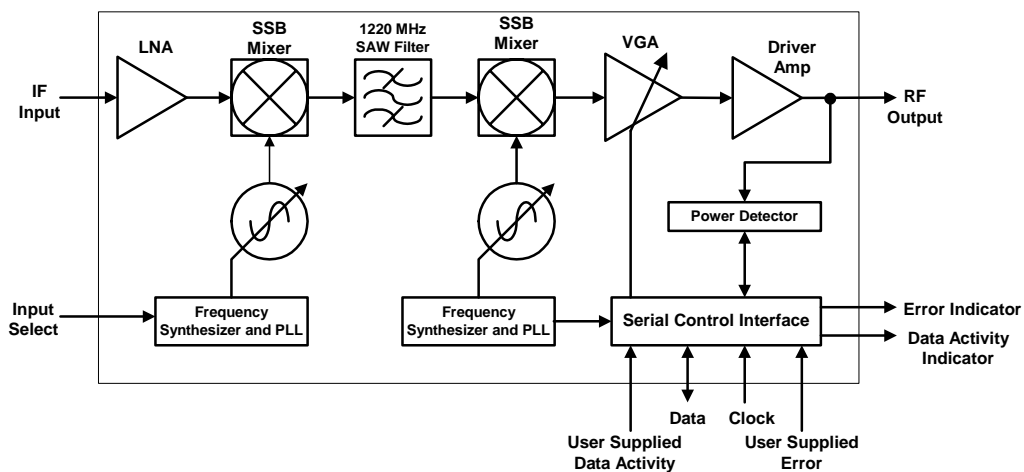
PARAMETER	MIN	TYP	MAX	UNIT
Power supply voltage	5.8	6	6.2	V
Power from supply			7.2	W
Ambient operating temperature	0		90	°C
Airflow over module		.5		m/s
ESD protection, human body model	-1000		+1000	V
2-wire serial bus input voltage			3.3	V
2-wire serial bus input frequency			100	kHz

### SPECIFICATIONS

PARAMETER	MIN	TYP	MAX	UNIT
Input frequency		44.00		MHz
Alternate input frequency		36.125		MHz
Input impedance		75		Ω
Output frequency	50		860	MHz
Output impedance		75		Ω
Max. Gain	21	23	25	dB
Frequency step size	12.5			kHz

### ABSOLUTE MAXIMUM RATINGS

PARAMETER	MIN	TYP	MAX	UNIT
Supply voltage			6.5	V
Storage temperature range	-40		+85	°C



MT5100 Block Diagram



MicroTune, Inc., 2201 Tenth Street, Plano, TX 75074, USA

Tel: +1-972-673-1600, Fax: +1-972-673-1602, E-mail: [sales@microtune.com](mailto:sales@microtune.com), Web site: [www.microtune.com](http://www.microtune.com)

For a detailed list of design centers, sales offices, and sales representatives, visit our Web site at [www.microtune.com](http://www.microtune.com).

The information in this document is believed to be accurate and reliable. MicroTune assumes no responsibility for any consequences arising from the use of this information, nor from any infringement of patents or the rights of third parties which may result from its use. No license is granted by implication or otherwise under any patent or other rights of MicroTune. The information in this publication replaces and supersedes all information previously supplied, and is subject to change without notice. The customer is responsible for assuring that proper design and operating safeguards are observed to minimize inherent and procedural hazards. MicroTune assumes no responsibility for applications assistance or customer product design.

The devices described in this document are not authorized for use in medical, life-support equipment, or any other application involving a potential risk of severe property or environmental damage, personal injury, or death without prior express written approval of MicroTune. Any such use is understood to be entirely at the user's risk.

MicroTune is a registered trademark of MicroTune, Inc. MicroTuner, MicroStreamer, VideoCaster, DataCaster, and the MicroTune logo are trademarks of MicroTune, Inc. All other trademarks belong to their respective companies.

MicroTune's products are protected by one or more of the following U.S. patents: 5,625,325; 5,648,744; 5,717,730; 5,737,035; 5,739,730; 5,805,988; 5,847,612; 6,100,761; 6,104,242; 6,144,402; 6,163,684; 6,169,569; 6,172,378; 6,177,964; 6,211,745; 6,218,899; 6,268,778; 6,310,387; 6,323,736; 6,355,537; 6,429,502; 6,462,327; 6,535,068; 6,580,313; 6,608,522; 6,631,257; 6,714,776; 6,725,463; 6,744,308 B1; 6,771,124; 6,784,945; 6,804,099; 6,888,406; 6,891,435; 6,906,594; 6,909,886; D,469,742 and additional patents pending or filed.