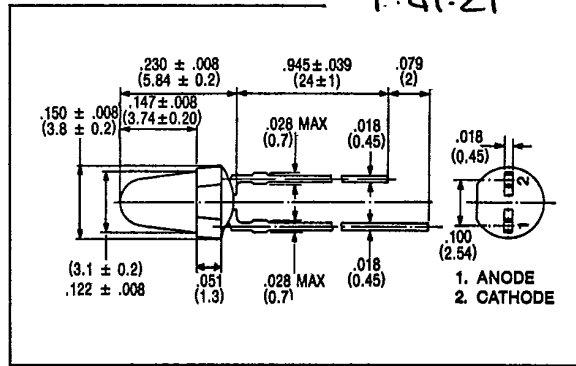


T-1 TAPERED LED LAMPS

FEATURES

- Narrow viewing angle for high brightness.
- Available in Ultra Red, High Efficiency Red, Orange, Ultra Green, Green, Ultra Yellow and Yellow.
- Excellent for backlighting applications.
- Solid state reliability.



MAXIMUM RATINGS (Ta = 25°C)

| PART NO. | FORWARD CURRENT (If) (mA) | REVERSE VOLTAGE (Vr) (V) | POWER DISSIPATION (Pd) (mW) | OPERATING TEMPERATURE (Topr) (°C) | STORAGE TEMPERATURE (Tstg) (°C) |
|----------|---------------------------|--------------------------|-----------------------------|-----------------------------------|---------------------------------|
| MT630-HR | 25 | 4 | 70 | -20 ~ 75 | -30 ~ 100 |
| MT640-HR | 25 | 4 | 70 | -20 ~ 75 | -30 ~ 100 |
| MT630-G | 25 | 4 | 70 | -20 ~ 75 | -30 ~ 100 |
| MT640-G | 25 | 4 | 70 | -20 ~ 75 | -30 ~ 100 |
| MT630-Y | 25 | 4 | 70 | -20 ~ 75 | -30 ~ 100 |
| MT640-Y | 25 | 4 | 70 | -20 ~ 75 | -30 ~ 100 |
| MT630-O | 25 | 4 | 70 | -20 ~ 75 | -30 ~ 100 |
| MT640-O | 25 | 4 | 70 | -20 ~ 75 | -30 ~ 100 |
| MT630-UR | 25 | 4 | 55 | -20 ~ 75 | -30 ~ 100 |
| MT640-UR | 25 | 4 | 55 | -20 ~ 75 | -30 ~ 100 |
| MT630-UG | 25 | 4 | 70 | -20 ~ 75 | -30 ~ 100 |
| MT640-UG | 25 | 4 | 70 | -20 ~ 75 | -30 ~ 100 |
| MT630-UY | 25 | 4 | 70 | -20 ~ 75 | -30 ~ 100 |
| MT640-UY | 25 | 4 | 70 | -20 ~ 75 | -30 ~ 100 |

OPTO-ELECTRICAL CHARACTERISTICS (Ta = 25°C)

| PART NO. | MATERIAL | LENS COLOR | VIEWING ANGLE | LUMINOUS INTENSITY (mcd) | | | | FORWARD VOLTAGE (V) | | | REVERSE CURRENT | | PEAK WAVELENGTH (nm) | SPEC. LINE HALF WIDTH (nm) |
|----------|-----------|--------------|---------------|--------------------------|------|------|-------|---------------------|------|-------|-----------------|----|----------------------|----------------------------|
| | | | | typ. | min. | typ. | at mA | typ. | max. | at mA | µA | Vr | | |
| MT630-HR | GaAsP/GaP | Red/Clear | 10° | 10 | 20 | 20 | 20 | 2.1 | 2.8 | 20 | 100 | 4 | 635 | 40 |
| MT640-HR | GaAsP/GaP | Red/Diff. | 20° | 5 | 10 | 20 | 20 | 2.1 | 2.8 | 20 | 100 | 4 | 635 | 40 |
| MT630-G | GaP/GaP | Green/Clear | 10° | 10 | 20 | 20 | 20 | 2.1 | 2.8 | 20 | 5 | 4 | 565 | 25 |
| MT640-G | GaP/GaP | Green/Diff. | 20° | 5 | 10 | 20 | 20 | 2.1 | 2.8 | 20 | 5 | 4 | 565 | 25 |
| MT630-Y | GaAsP/GaP | Yellow/Clear | 10° | 10 | 20 | 20 | 20 | 2.1 | 2.8 | 20 | 100 | 4 | 585 | 32 |
| MT640-Y | GaAsP/GaP | Yellow/Diff. | 20° | 5 | 10 | 20 | 20 | 2.1 | 2.8 | 20 | 100 | 4 | 585 | 32 |
| MT630-O | GaAsP/GaP | Orange/Clear | 10° | 10 | 20 | 20 | 20 | 2.1 | 2.8 | 20 | 100 | 4 | 610 | 35 |
| MT640-O | GaAsP/GaP | Orange/Diff. | 20° | 5 | 10 | 20 | 20 | 2.1 | 2.8 | 20 | 100 | 4 | 610 | 35 |
| MT630-UR | GaAlAs | Red/Clear | 10° | 20 | 40 | 20 | 20 | 1.75 | 2.2 | 20 | 100 | 4 | 660 | 25 |
| MT640-UR | GaAlAs | Red/Diff. | 20° | 10 | 20 | 20 | 20 | 1.75 | 2.2 | 20 | 100 | 4 | 660 | 25 |
| MT630-UG | GaP/GaP | Green/Clear | 10° | 20 | 40 | 20 | 20 | 2.1 | 2.8 | 20 | 5 | 4 | 565 | 25 |
| MT640-UG | GaP/GaP | Green/Diff. | 20° | 10 | 20 | 20 | 20 | 2.1 | 2.8 | 20 | 5 | 4 | 565 | 25 |
| MT630-UY | GaAsP/GaP | Yellow/Clear | 10° | 20 | 40 | 20 | 20 | 2.1 | 2.8 | 20 | 100 | 4 | 585 | 32 |
| MT640-UY | GaAsP/GaP | Yellow/Diff. | 20° | 10 | 20 | 20 | 20 | 2.1 | 2.8 | 20 | 100 | 4 | 585 | 32 |