

MT7620 DATASHEET

Integrated 802.11n MAC/BBP and 2.4 GHz RF/FEM Router-on-a-Chip



Overview

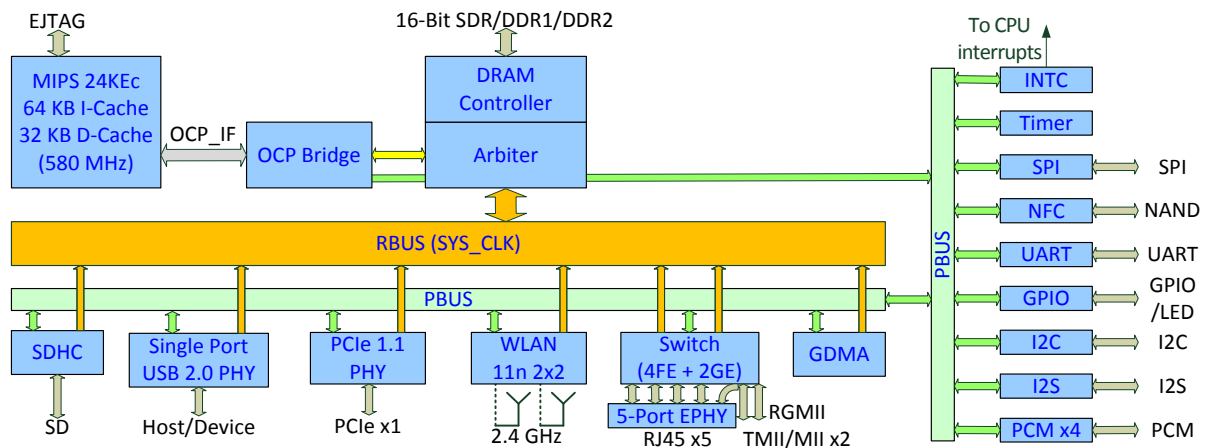
The MT7620 router-on-a-chip includes an 802.11n MAC and baseband, a 2.4 GHz radio and FEM, a 580 MHz MIPS® 24K™ CPU core, a 5-port 10/100 switch and two RGMII. The MT7620 includes everything needed to build an AP router from a single chip. The embedded high performance CPU can process advanced applications effortlessly, such as routing, security and VoIP. The MT7620 also includes a selection of interfaces to support a variety of applications, such as a USB port for accessing external storage.

- Applications:**
- Routers
 - NAS devices
 - iNICs
 - Dual band concurrent routers

Features

- Embedded MIPS24KEc (580 MHz) with 64 KB I-Cache and 32 KB D-Cache
- 2T2R 2.4 GHz with 300 Mbps PHY data rate
- Legacy 802.11b/g and HT 802.11n modes
- 20/40 MHz channel bandwidth
- Legacy 802.11b/g and HT 802.11n modes
- Reverse Data Grant (RDG)
- Maximal Ratio Combining (MRC)
- Space Time Block Coding (STBC)
- 16-bit SDRAM up to 64 Mbytes
- 16-bit DDR1/2 up to 128/256 Mbytes (MT7620A)
- SPI, NAND Flash/SD-XC
- 1x USB 2.0, 1x PCIe host/device
- 5-port 10/100 SW and two RGMII
- An optimized PMU
- Green AP
 - Intelligent Clock Scaling (exclusive)
 - DDRII: ODT off, Self-refresh mode
 - SDRAM: Pre-charge power down
- I2C, I2S, SPI, PCM, UART, JTAG, MDC, MDIO, GPIO
- Hardware NAT with IPv6 and 2 Gbps wired speed
- 16 Multiple BSSID
- WEP64/128, TKIP, AES, WPA, WPA2, WAPI
- QoS: WMM, WMM-PS
- WPS: PBC, PIN
- Voice Enterprise: 802.11k+r
- AP Firmware: Linux 2.6 SDK, eCOS with IPv6
- RGMII iNIC Driver: Linux 2.4/2.6

Functional Block Diagram



Ordering Information

Ralink Technology Corp. (USA)
Suite 200
20833 Stevens Creek Blvd.
Cupertino CA95014, U.S.A
Tel: 408-725-8070
Fax: 408-725-8069

Ralink Technology Corp. (Taiwan)
5F, 5 Taiyuan 1st St
Jhubei City, Hsinchu
Taiwan, R.O.C
Tel: 886-3-560-0868
Fax: 886-3-560

Part Number	Package (Green/RoHS Compliant)
MT7620A	TFBGA 265 ball (11 mm x 11 mm)
MT7620N	DR-QFN 148 pin (12 mm x 12 mm)

www.ralinktech.com

Table of Contents

1. MAIN FEATURES	6
2. PINS	7
2.1 TFBGA (11 MM X 11 MM) 265 BALL PACKAGE DIAGRAM	7
2.1.1 DDR2 BALL MAP	7
2.2 DR-QFN (12 MM X 12 MM) 148-PIN PACKAGE DIAGRAM	8
2.2.1 LEFT SIDE VIEW	8
2.2.2 RIGHT SIDE VIEW	9
2.3 PIN DESCRIPTIONS (TFBGA)	11
2.4 PIN DESCRIPTIONS (DRQFN)	17
2.5 PIN SHARING SCHEMES	22
2.5.1 GPIO PIN SHARE SCHEME	22
2.5.2 UARTF PIN SHARE SCHEME	24
2.5.3 RGMII PIN SHARE SCHEMES	25
2.5.4 WDT_RST_MODE PIN SHARE SCHEME	25
2.5.5 PERST_N PIN SHARE SCHEME	25
2.5.6 MDC/MDIO PIN SHARE SCHEME:	25
2.5.7 EPHY_LED PIN SHARE SCHEME	26
2.5.8 SPI PIN SHARE SCHEME	26
2.5.9 ND/SD PIN SHARE SCHEME	27
2.5.10 XMII PHY/MAC PIN MAPPING	29
2.6 BOOTSTRAPPING PINS DESCRIPTION	30
3. MAXIMUM RATINGS AND OPERATING CONDITIONS	31
3.3 ABSOLUTE MAXIMUM RATINGS	31
3.4 MAXIMUM TEMPERATURES	31
3.5 OPERATING CONDITIONS	31
3.6 THERMAL CHARACTERISTICS	31
3.7 STORAGE CONDITIONS	32
3.8 EXTERNAL XTAL SPECIFICATION	32
3.9 DC ELECTRICAL CHARACTERISTICS	32
3.10 AC ELECTRICAL CHARACTERISTICS	33
3.10.1 SDRAM INTERFACE	33
3.10.2 DDR2 SDRAM INTERFACE	34
3.10.3 RGMII INTERFACE	36
3.10.4 MII INTERFACE (25 MHz)	37
3.10.5 RVII INTERFACE (PHY MODE MII TIMING) (25 MHz)	38
3.10.6 SPI INTERFACE	39
3.10.7 I ² S INTERFACE	40
3.10.8 PCM INTERFACE	41
3.10.9 POWER ON SEQUENCE	42
3.11 PACKAGE PHYSICAL DIMENSIONS	43
3.11.1 TFBGA (11 MM X 11 MM) 265 BALLS	43
3.11.2 DR-QFN (12 MM X 12 MM) 148LD	45
3.11.3 MT7620 N/A MARKING	48
3.11.4 REFLOW PROFILE GUIDELINE	49
4. ABBREVIATIONS	50
5. REVISION HISTORY	53

Table of Figures

FIGURE 2-1 DR-QFN PIN DIAGRAM (LEFT VIEW)	9
FIGURE 2-2 DR-QFN PIN DIAGRAM (RIGHT SIDE VIEW)	10
FIGURE 2-3 MII → MII PHY	29
FIGURE 2-4 RvMII → MII MAC	29
FIGURE 2-5 RGMII → RGMII PHY	29
FIGURE 2-6 RGMII → RGMII MAC	29
FIGURE 3-1 SDRAM INTERFACE	33
FIGURE 3-2 DDR2 SDRAM COMMAND	34
FIGURE 3-3 DDR2 SDRAM WRITE DATA	34
FIGURE 3-4 DDR2 SDRAM READ DATA	34
FIGURE 3-5 RGMII INTERFACE	36
FIGURE 3-6 MII INTERFACE	37
FIGURE 3-7 RvMII INTERFACE	38
FIGURE 3-8 SPI INTERFACE	39
FIGURE 3-9 I2S INTERFACE	40
FIGURE 3-10 PCM INTERFACE	41
FIGURE 3-11 POWER ON SEQUENCE	42
FIGURE 3-12 TFBGA TOP VIEW	43
FIGURE 3-13 TFBGA SIDE VIEW	43
FIGURE 3-14 TFBGA “A” EXPANDED	43
FIGURE 3-15 TFBGA BOTTOM VIEW	44
FIGURE 3-16 TFBGA “B” EXPANDED	44
FIGURE 3-17 DR-QFN TOP VIEW	45
FIGURE 3-18 DR-QFN SIDE VIEW	45
FIGURE 3-19 DR-QFN “B” EXPANDED	45
FIGURE 3-20 DR-QFN BOTTOM VIEW	46
FIGURE 3-21 DR-QFN “A” EXPANDED	46
FIGURE 3-22 MT7620N TOP MARKING	48
FIGURE 3-23 MT7620A TOP MARKING	48
FIGURE 3-24 REFLOW PROFILE FOR MT7620	49

List of Tables

TABLE 1-1 MAIN FEATURES	6
TABLE 2-1 DDR2 BALL MAP	8
TABLE 3-1 ABSOLUTE MAXIMUM RATINGS	31
TABLE 3-2 MAXIMUM TEMPERATURES	31
TABLE 3-3 OPERATING CONDITIONS	31
TABLE 3-4 THERMAL CHARACTERISTICS	31
TABLE 3-5 EXTERNAL XTAL SPECIFICATIONS	32
TABLE 3-6 DC ELECTRICAL CHARACTERISTICS	32
TABLE 3-7 VDD 2.5V ELECTRICAL CHARACTERISTICS	32
TABLE 3-8 SDRAM INTERFACE DIAGRAM KEY	33
TABLE 3-9 DDR2 SDRAM INTERFACE DIAGRAM KEY	35
TABLE 3-10 RGMII INTERFACE DIAGRAM KEY	36
TABLE 3-11 MII INTERFACE DIAGRAM KEY	37
TABLE 3-12 RvMII INTERFACE DIAGRAM KEY	38
TABLE 3-13 SPI INTERFACE DIAGRAM KEY	39

TABLE 3-14 I2S INTERFACE DIAGRAM KEY	40
TABLE 3-15 PCM INTERFACE DIAGRAM KEY	41
TABLE 3-16 POWER ON SEQUENCE DIAGRAM KEY.....	42

1. Main Features

The following table covers the main features offered by the MT7620N and MT7620A. Overall, the MT7620N supports the requirements of an entry-level AP/router, while the more advanced MT7620A supports a number of interfaces together with a large maximum RAM capacity.

Features	MT7620N	MT7620A
CPU	MIPS24KEc (600/580 MHz)	MIPS24KEc (580 MHz)
Total DMIPs	580 x 1.6 DMIPs	580 x 1.6 DMIPs
I-Cache, D-Cache	64 KB, 32 KB	64 KB, 32 KB
L2 Cache	n/a	n/a
HNAT/HQoS	HNAT	HNAT 2 Gbps forwarding
Memory		
DRAM Controller	16 b	16 b
SDRAM	512 Mb, 120 MHz	n/a
DDR1	512 Mb, 193 MHz	n/a
DDR2	512 Mb, 193 MHz	2 Gb, 193 MHz
NAND	n/a	Small page 512Byte (max 512M bit) Large page 2Kbyte (max 8G bit)
SPI Flash	3B addr mode (max 128Mbit) 4B addr mode (max 512Mbit)	3B addr mode (max 128Mbit) 4B addr mode (max 512Mbit)
SD	n/a	SD-XC (class 10)
RF	2T2R 802.11n 2.4 GHz	2T2R 802.11n 2.4 GHz
PCIe	n/a	1
USB 2.0	1	1
Switch	5p FE SW	5p FE SW + RGMII(1) 4p FE SW + RGMII(2)
I2S	n/a	1
PCM	n/a	1
I2C	1	1
UART	1 (Lite)	2 (Lite/Full)
JTAG	1	1
Package	DRQFN148- 12 mm x 12 mm	TFBGA265- 11 mm x 11 mm

Table 1-1 Main Features

2. Pins

2.1 TFBGA (11 mm x 11 mm) 265 Ball Package Diagram

2.1.1 DDR2 Ball Map

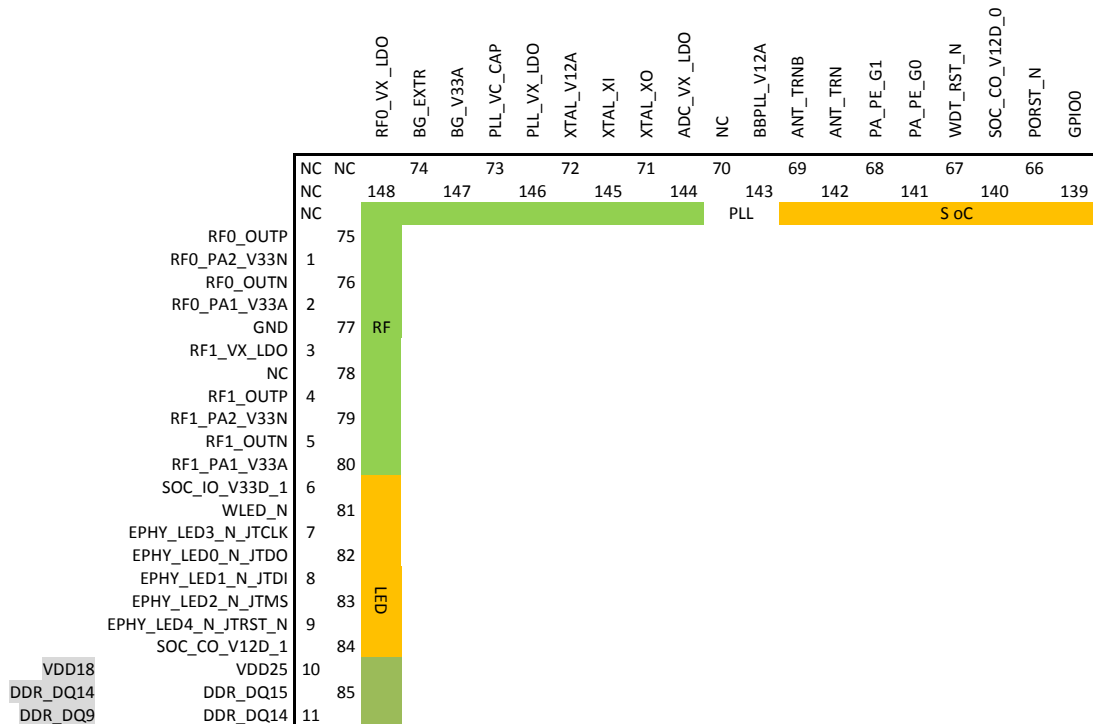
26 5	1	2	3	4	5	6	7	8	9	10	11	12	13	14	15	16	17		
A	RF0_OUT_P	RF0_PA2_V33N	RF0_IN	BG_EXTR	XTAL_XI	XTAL_XO	BBPLL_V12A	SPI_MOSI	PCIE_RXP	PCIE_TXN	APCK_RFCK_OP		FB	DCDC_V33D	UGATE	VFB_DDR	VFB_DIG	A	
B	RF0_PA1_V33A	RF0_OUT_N	RF0_VX_LDO	PLL_VC_CAP	XTAL_V12A		SPI_WP	SPI_HOLD	PCIE_RXN	PCIE_TXP	APCK_RFCK_ON			LGATE	EXT_LDO_DDR	DCDC_V33A	EXT_LDO_DIG	B	
C	RF1_IN	GND		GND	ADC_VX_LDO	PORST_N	SPI_CS0	SPI_MISO	SPI_CS1	PCIE_REXT	PCIE_RFCKP	UPHY0_V12D		COMP	UPHY0_VRES	UPHY0_PADM	UPHY0_PADP	C	
D	RF1_OUT_P	GND	RF1_VX_LDO	BG_V33A	ANT_TRN	WDT_RST_N	GPIOD	SPI_CLK	SOC_IO_V33D_0	PERST_N	PCIE_RFCK_N	APCK_V12A		GE2_RXCLK	GE2_RXDV	GE1_RXDV	GE1_RXCLK	D	
E	RF1_OUT_N	RF1_PA2_V33N	RF1_PA1_V33A	ANT_TRNB	PA_PEGO	PA_PEG1	SOC_CO_V12D_1	SOC_CO_V12D_0	APCK_V12A	PCIE_V33A			UPHY0_V33A	GE2_RXD3	GE2_RXD1	GE1_RXD1	GE1_RXD0	E	
F		GND					GND	GND	GND	GND	GND	GND	GE2_IO_V33D	GE2_RXD2	GE2_RXD0	GE1_RXD3	GE1_RXD2	F	
G				WLED_N	SOC_IO_V33D_1		GND	GND	GND	GND	GND	GND	GE2_IO_V33D	GE2_TXEN	GE2_TXCLK	GE1_TXEN	GE1_TXCLK	G	
H	EPHY_LED3_N_JTCLK	EPHY_LED2_N_JTMS	EPHY_LED1_N_JTDI	EPHY_LED0_N_JTDO	DDR_IO_V18D		GND	GND	GND	GND	GND	GND		GE2_TXD2	GE2_TXD3	GE1_TXD1	GE1_TXD0	H	
J	MD14	MD9	MODT	EPHY_LED4_N_JTRST_N	DDR_IO_V18D		GND	GND	GND	GND	GND	GND		GE2_TXD1	GE2_TXD0	GE1_TXD3	GE1_TXD2	J	
K	MD12	MD11	MCS_N		DDR_IO_V18D		GND	GND	GND	GND	GND	GND	SOC_CO_V12D_3	MDC	MDIO			K	
L	MD10	MD13	MRAS_N	MA0	DDR_IO_VREF		GND	GND	GND	GND	GND	GND	SOC_CO_V12D_3	EPHY_V12A	EPHY_V12A			L	
M	MD8	MD15	MCAS_N	MA2	DDR_IOC_V12D		GND	GND	GND	SOC_CO_V12D_2	SOC_IO_V33D_2		GND	EPHY_PLL_V12A	MDI_RN_P3	MDI_RP_P3	MDI_TP_P4	MDI_TN_P4	M

26	1	2	3	4	5	6	7	8	9	10	11	12	13	14	15	16	17		
5																			
N	MDQ_S1	MDQ_M1	MA4	DDR_IOC_V12D	MA13	DDR_IO_V18D			SOC_CO_V12D_2	SOC_IO_V33D_2	GND	EPHY_V33A	EPHY_V33A	MDI_TN_P3	MDI_TP_P3	MDI_TP_P4	MDI_RN_P4	N	
P	MCK_P	MCK_N	MA6	MA8	MA12	MA7	DDR_IO_V18D	ND_CS_N	ND_CLE/SD_CARD_DETECT	ND_WP/SD_WP	DSR_N	RXD	TXD2	MDI_TP_P2	MDI_TN_P2	MDI_TP_P2	MDI_RN_P2	P	
R	MD5	MD2	MA11	MA9	MA5	MA3	MBA2	ND_RB_N/SD_CLK	ND_RE_N	ND_ALE/SD_CMD	ND_WE_N	TXD	RTS_N	RXD2	EPHY_RES_VBG	MDI_TP_P1	MDI_RN_P1	R	
T	MD0	MD6	MD4	MDQS0	MA1	MBA1	MWE_N	ND_D6/BT_WACT	ND_D4/BT_STAT	ND_D2/SD_D2	ND_DO/SD_D0	DCD_N	RIN	I2C_SD	MDI_TP_P0	MDI_TP_P1	MDI_TN_P1	T	
U	MD7	MD1	MD3	MDQM0	MA10	MBA0	MCKE	ND_D7/BT_ANT	ND_D5/BT_AUX	ND_D3/SD_D3	ND_D1/SD_D1	DTR_N	CTS_N	I2C_SCLK	MDI_TP_P0	MDI_TP_P0	MDI_TN_P0	U	
	1	2	3	4	5	6	7	8	9	10	11	12	13	14	15	16	17		

Table 2-1 DDR2 Ball Map

2.2 DR-QFN (12 mm x 12 mm) 148-Pin Package Diagram

2.2.1 Left side view



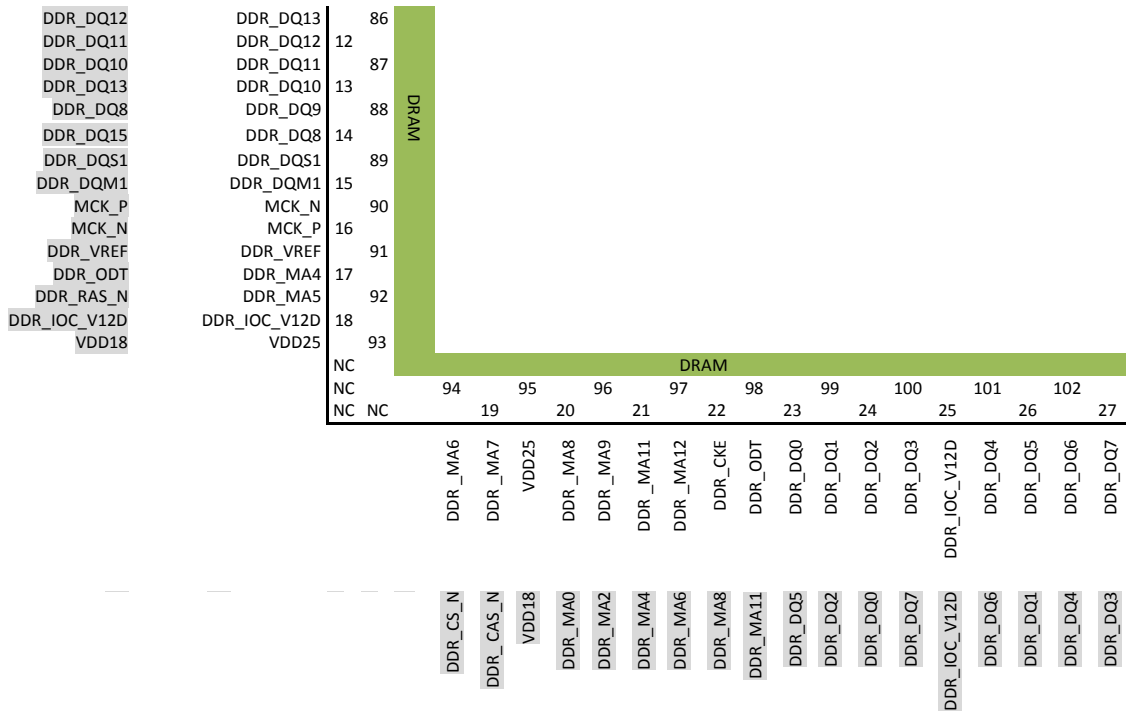
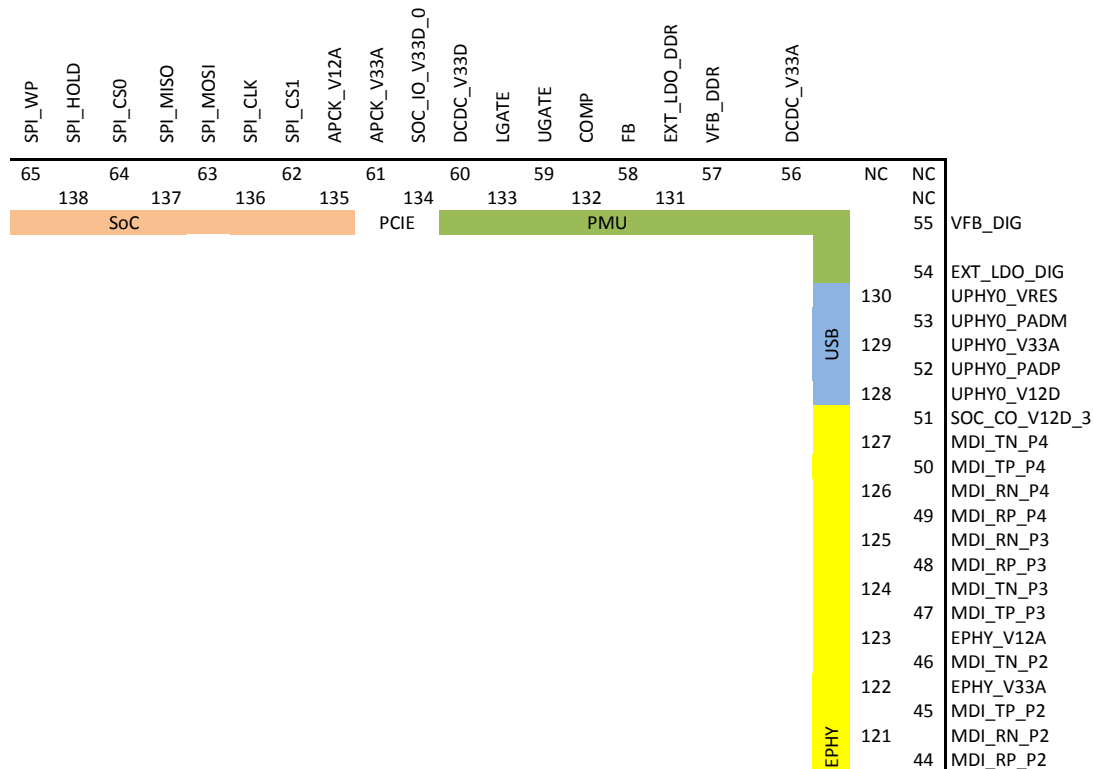


Figure 2-1 DR-QFN Pin Diagram (left view)

2.2.2 Right side view



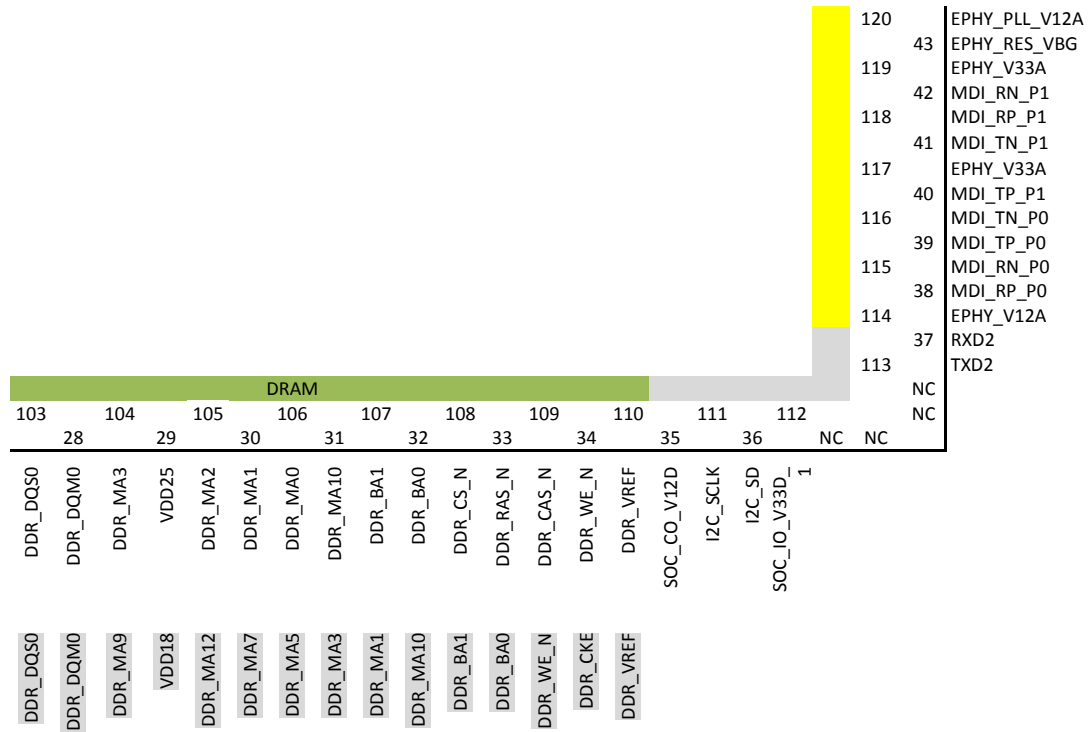


Figure 2-2 DR-QFN Pin Diagram (right side view)

Note: DR-QFN support SDR/DDR1 and DDR2 pin shuffle depend on the bootstrap. For DDR2 pin assignment, please refer to left column and bottom row using **DDR_** format.

2.3 Pin Descriptions (TFBGA)

Pin	Name	Type	Driv.	Description
WLAN LED				
G4	WLED_N	O, IPU	4 mA	WLAN Activity LED
UART Lite				
R14	RXD2	I, IPU	4 mA	UART Lite RXD
P13	TXD2	O, IPU	4 mA	UART Lite TXD
UART Full *				
P12	RXD	I, IPD	4 mA	UART RXD.
T13	RIN	I, IPD	4 mA	UART RIN.
U13	CTS_N	I, IPD	4 mA	UART CTS_N.
P11	DSR_N	I, IPD	4 mA	UART DSR_N.
T12	DCD_N	I, IPD	4 mA	UART DCD_N.
R12	TXD	O, IPD	4 mA	UART TXD.
U12	DTR_N	O, IPD	4 mA	UART DTR.
R13	RTS_N	O, IPD	4 mA	UART RTS.
SPI				
C8	SPI_MISO	I/O, IPD	4 mA	Master output/Slave input
A8	SPI_MOSI	I/O, IPD	4 mA	Master input/Slave output
B7	SPI_WP	I/O, IPD	4 mA	GOP function
B8	SPI_HOLD	I/O, IPD	4 mA	GOP function
D8	SPI_CLK	O, IPD	4 mA	SPI clock
C7	SPI_CS0	O, IPU	4 mA	SPI chip select0
C9	SPI_CS1	O, IPU	4 mA	SPI chip select1
I2C				
U14	I2C_SCLK	I/O, IPU	4 mA	I ² C Clock
T14	I2C_SD	O, IPU	4 mA	I ² C Data
RGMI1/MII (3.3 V)*				
D17	GE1_RXCLK	I/O	8 mA	RGMI1 /GMII Rx Clock
D16	GE1_RXDV	I	8 mA	RGMI1 /GMII Rx Data Valid
E17	GE1_RXD0	I	8 mA	RGMI1 Rx Data bit #0/GMII Rx Data bit #0
E16	GE1_RXD1	I	8 mA	RGMI1 Rx Data bit #1/GMII Rx Data bit #1
F17	GE1_RXD2	I	8 mA	RGMI1 Rx Data bit #2/GMII Rx Data bit #2
F16	GE1_RXD3	I	8 mA	RGMI1 Rx Data bit #3/GMII Rx Data bit #3
G17	GE1_TXCLK	I/O	8 mA	RGMI1 /GMII Tx Clock
G16	GE1_TXEN	O	8 mA	RGMI1 /GMII Tx Data Valid
H17	GE1_TXD0	O	8 mA	RGMI1 Tx Data bit #0/GMII Tx Data bit #0
H16	GE1_TXD1	O	8 mA	RGMI1 Tx Data bit #1/GMII Tx Data bit #1
J17	GE1_TXD2	O	8 mA	RGMI1 Tx Data bit #2/GMII Tx Data bit #2
J16	GE1_TXD3	O	8 mA	RGMI1 Tx Data bit #3/GMII Tx Data bit #3
D14	GE2_RXCLK	I/O	8 mA	RGMI2 /GMII Rx Clock
D15	GE2_RXDV	I	8 mA	RGMI2 /GMII Rx Data Valid

Pin	Name	Type	Driv.	Description
F15	GE2_RXD0	I	8 mA	RGMII2 Rx Data bit #0/GMII Rx Data bit #0
E15	GE2_RXD1	I	8 mA	RGMII2 Rx Data bit #1/GMII Rx Data bit #1
F14	GE2_RXD2	I	8 mA	RGMII2 Rx Data bit #2/GMII Rx Data bit #2
E14	GE2_RXD3	I	8 mA	RGMII2 Rx Data bit #3/GMII Rx Data bit #3
G15	GE2_TXCLK	I/O	8 mA	RGMII2 /GMII Tx Clock
G14	GE2_TXEN	O	8 mA	RGMII2 /GMII Tx Data Valid
J15	GE2_TXD0	O	8 mA	RGMII2 Tx Data bit #0/GMII Tx Data bit #0
J14	GE2_TXD1	O	8 mA	RGMII2 Tx Data bit #1/GMII Tx Data bit #1
H14	GE2_TXD2	O	8 mA	RGMII2 Tx Data bit #2/GMII Tx Data bit #2
H15	GE2_TXD3	O	8 mA	RGMII2 Tx Data bit #3/GMII Tx Data bit #3
PHY Management (3.3 V)				
K14	MDC	O	8 mA	PHY Management Clock. Shared with GPIO23
K15	MDIO	I/O	8 mA	PHY Management Data. Shared with GPIO22
GPIO				
D7	GPIO0	I/O, IPD	8 mA	GPO0 (output only)
5-Port PHY				
H4	EPHY_LED0 _N_JTDO	O, IPD	4 mA	10/100 PHY Port #0 activity LED, JTAG_TDO
H3	EPHY_LED1 _N_JTDI	I/O, IPD	4 mA	10/100 PHY Port #1 activity LED, JTAG_TDI
H2	EPHY_LED2 _N_JTMS	I/O, IPD	4 mA	10/100 PHY Port #2 activity LED, JTAG_TMS
H1	EPHY_LED3 _N_JTCLK	I/O, IPD	4 mA	10/100 PHY Port #3 activity LED, JTAG_CLK
J4	EPHY_LED4 _N_JTRST_N	I/O, IPU	4 mA	10/100 PHY Port #4 activity LED, JTAG_TRST_N
R15	EPHY_RES_VBG	A		Connect to an external resistor to provide accurate bias current
T15	MDI_RN_P0	I		10/100 PHY Port #0 RXN
U15	MDI_RP_P0	I		10/100 PHY Port #0 RXP
U17	MDI_TN_P0	O		10/100 PHY Port #0 TXN
U16	MDI_TP_P0	O		10/100 PHY Port #0 TXP
R17	MDI_RN_P1	I		10/100 PHY Port #1 RXN
R16	MDI_RP_P1	I		10/100 PHY Port #1 RXP
T17	MDI_TN_P1	O		10/100 PHY Port #1 TXN
T16	MDI_TP_P1	O		10/100 PHY Port #1 TXP
P17	MDI_RN_P2	I		10/100 PHY Port #2 RXN
P16	MDI_RP_P2	I		10/100 PHY Port #2 RXP
P15	MDI_TN_P2	O		10/100 PHY Port #2 TXN
P14	MDI_TP_P2	O		10/100 PHY Port #2 TXP
M14	MDI_RN_P3	I		10/100 PHY Port #3 RXN
M15	MDI_RP_P3	I		10/100 PHY Port #3 RXP
N14	MDI_TN_P3	O		10/100 PHY Port #3 TXN

Pin	Name	Type	Driv.	Description
N15	MDI_TP_P3	O		10/100 PHY Port #3 TXP
N17	MDI_RN_P4	I		10/100 PHY Port #4 RXN
N16	MDI_RP_P4	I		10/100 PHY Port #4 RXP
M17	MDI_TN_P4	O		10/100 PHY Port #4 TXN
M16	MDI_TP_P4	O		10/100 PHY Port #4 TXP
NAND Flash*				
P8	ND_CS_N	O, IPD	4 mA	NAND Flash Chip Select
R9	ND_RE_N	O, IPD	4 mA	NAND Flash Read Enable
R11	ND_WE_N	O, IPD	4 mA	NAND Flash Write Enable
P10	ND_WP	O, IPD	4 mA	NAND Flash Write Protect
P9	ND_CLE	O, IPD	4 mA	NAND Flash Command Latch Enable
R10	ND_ALE	O, IPD	4 mA	NAND Flash ALE Latch Enable
T11	ND_D0	I/O, IPD	4 mA	NAND Flash Data0
U11	ND_D1	I/O, IPD	4 mA	NAND Flash Data1
T10	ND_D2	I/O, IPD	4 mA	NAND Flash Data2
U10	ND_D3	I/O, IPD	4 mA	NAND Flash Data3
T9	ND_D4	I/O, IPD	4 mA	NAND Flash Data4
U9	ND_D5	I/O, IPD	4 mA	NAND Flash Data5
T8	ND_D6	I/O, IPD	4 mA	NAND Flash Data6
U8	ND_D7	I/O, IPD	4 mA	NAND Flash Data7
R8	ND_RB_N	I, IPD	4 mA	NAND Flash Ready/Busy
Misc.				
C6	PORST_N	I, IPU	4 mA	Power on reset
E5	PA_PE_G0	O, I PD	16 mA	0 V to 3.3 V control for external PA0
E6	PA_PE_G1	O, IPD	16 mA	0 V to 3.3 V control for external PA1
D5	ANT_TRN	O, IPD	8 mA	Positive signal for antenna T/R switch
E4	ANT_TRNB	O, IPD	8 mA	Negative signal for antenna T/R switch
D6	WDT_RST_N	O, IPU	4 mA	Watchdog Reset
USB PHY				
E13	UPHY0_V33A	P		3.3 V USB PHY analog power supply
C12	UPHY0_V12D	P		1.2 V USB PHY digital power supply
C15	UPHY0_VRES	I/O		Connect to an external 8.2 kΩ resistor for band-gap reference circuit
C16	UPHY0_PADM	I/O		USB Port0 data pin Data-
C17	UPHY0_PADP	I/O		USB Port0 data pin Data+
DDR2				
M2	MD15	I/O	8 mA	DDR2 Data bit #15
J1	MD14	I/O	8 mA	DDR2 Data bit #14
L2	MD13	I/O	8 mA	DDR2 Data bit #13
K1	MD12	I/O	8 mA	DDR2 Data bit #12
K2	MD11	I/O	8 mA	DDR2 Data bit #11

Pin	Name	Type	Driv.	Description
L1	MD10	I/O	8 mA	DDR2 Data bit #10
J2	MD9	I/O	8 mA	DDR2 Data bit #9
M1	MD8	I/O	8 mA	DDR2 Data bit #8
U1	MD7	I/O	8 mA	DDR2 Data bit #7
T2	MD6	I/O	8 mA	DDR2 Data bit #6
R1	MD5	I/O	8 mA	DDR2 Data bit #5
T3	MD4	I/O	8 mA	DDR2 Data bit #4
U3	MD3	I/O	8 mA	DDR2 Data bit #3
R2	MD2	I/O	8 mA	DDR2 Data bit #2
U2	MD1	I/O	8 mA	DDR2 Data bit #1
T1	MD0	I/O	8 mA	DDR2 Data bit #0
N5	MA13	O	8 mA	DDR2 Address bit #13
P5	MA12	O	8 mA	DDR2 Address bit #12
R3	MA11	O	8 mA	DDR2 Address bit #11
U5	MA10	O	8 mA	DDR2 Address bit #10
R4	MA9	O	8 mA	DDR2 Address bit #9
P4	MA8	O	8 mA	DDR2 Address bit #8
P6	MA7	O	8 mA	DDR2 Address bit #7
P3	MA6	O	8 mA	DDR2 Address bit #6
R5	MA5	O	8 mA	DDR2 Address bit #5
N3	MA4	O	8 mA	DDR2 Address bit #4
R6	MA3	O	8 mA	DDR2 Address bit #3
M4	MA2	O	8 mA	DDR2 Address bit #2
T5	MA1	O	8 mA	DDR2 Address bit #1
L4	MA0	O	8 mA	DDR2 Address bit #0
R7	MBA2	O	8 mA	DDR2 MBA #2
T6	MBA1	O	8 mA	DDR2 MBA #1
U6	MBA0	O	8 mA	DDR2 MBA #0
L3	MRAS_N	O	8 mA	DDR2 MRAS_N
M3	MCAS_N	O	8 mA	DDR2 MCAS_N
T7	MWE_N	O	8 mA	DDR2 MWE_N
P1	MCK_P	O	8 mA	DDR2 MCK_P
P2	MCK_N	O	8 mA	DDR2 MCK_N
N2	MDQM1	O	8 mA	DDR2 MDM#1
U4	MDQM0	O	8 mA	DDR2 MDM#0
K3	MCS_N	O	8 mA	DDR2 MCS_N
N1	MDQS1	I/O	8 mA	DDR2 MDQS#1
T4	MDQS0	I/O	8 mA	DDR2 MDQS#0
U7	MCKE	O, IPD	8 mA	DDR2 MCKE
J3	ODT	O	8 mA	DDR2 ODT

PMU

Pin	Name	Type	Driv.	Description
A13	FB	A		This pin is part of the error amplifier and provides the reference voltage which the sampled output voltage is compared to. A difference between these two voltages indicates an error in the output voltage.
C14	COMP	A		This pin provides the error amplifier output which compensates for errors in the output voltage identified using the FB pin.
A15	UGATE	A		Gate drive for external upper MOSFET (I _{peak} <200 mA; I _{avg} <20 mA)
B14	LGATE	A		Gate drive for external lower MOSFET (I _{peak} <200 mA; I _{avg} <20 mA)
A14	DCDC_V33D	P		3.3 V power supply only for gate driver of SW (I _{peak} <200 mA; I _{avg} <20 mA)
B16	DCDC_V33A	P		3.3 V analog power (I _{peak} <200 mA; I _{avg} <10 mA)
B17	EXT_LDO_DIG	A		Connect to Base terminal of external BJT (I _{avg} <20 mA)
A17	VFB_DIG	A		1.2 V output feedback
B15	EXT_LDO_DDR	A		Connect to Base terminal of external BJT (I _{avg} <20 mA)
A16	VFB_DDR	A		DDR output feedback
PCIe*				
D10	PERST_N	I/O, IPU	4 mA	PCIe reset.
A10	PCIE_TXN	A		PCIe0 differential transmit TX -
B10	PCIE_TXP	A		PCIe0 differential transmit TX+
B9	PCIE_RXN	A		PCIe0 differential receive RX -
A9	PCIE_RXP	A		PCIe0 differential receive RX +
C10	PCIE_REXT	A		PCIe0 Reference resistor connection (12K Ohm +/- 1%)
PCIe Reference Clock Generator				
A11	APCK_RFCKOP	A		External reference clock output (positive)
B11	APCK_RFCKON	A		External reference clock output (negative)
E10	PCIE_V33A	P		PCIe 3.3 V analog power
C11	PCIE_RFCKP	A		Device reference clock input (positive)
D11	PCIE_RFCKN	A		Device reference clock input (negative)
PLL				
E9, D12	APCK_V12A	P		1.2 V analog power supply for CPLL/PPLL
A7	BBPLL_V12A	P		1.2 V analog power supply to BB PLL
B6				NC
Power				
D9, G5, M10, N10	SOC_IO_V33D	P		3.3 V digital I/O power supply
E7, E8, L13, M9, N9, K13	SOC_CO_V12D	P		1.2 V digital core power supply
L5	DDR_IO_VREF	P		0.9 V/1.25 V/GND reference voltage power supply for DDR2/DDR1/SDR

Pin	Name	Type	Driv.	Description
H5, N6, J5, K5, P7	DDR_IO_V18D/ DDR_IO_V25D	P		1.8 V/2.5 V/3.3 V level shifter power supply for DDR2/DDR1/SDR
M5, N4	DDR_IOC_V12D	P		1.2 V I/O core power supply for DDR and SDR
N12, N13	EPHY_V33A	P		3.3 V power supply for EPHY
L14, L15	EPHY_V12A	P		1.2 V power supply for EPHY
F13, G13	GE_IO_V33D	P		3.3 V power supply for RGMII
M13	EPHY_PLL_V12A	P		1.2 V power supply for EPHY PLL
RF				
A1	RFO_OUTP	I/O		2.4 GHz TX0 PA output (positive) 2.4 GHz RX0 LNA input (positive)
B2	RFO_OUTN	I/O		2.4 GHz TX0 PA output (negative) 2.4 GHz RX0 LNA input (negative)
B1	RFO_PA1_V33A	P		3.3 V Supply for RF channel0
A2	RFO_PA2_V33N	P		3.3 V Supply for RF channel0
A3	RFO_IN	I		2.4 GHz RX0 input (aux LNA0 input)
B3	RFO_VX_LDO	P		1.2 V to 3.3 V supply for RFO
D1	RF1_OUTP	I/O		2.4 GHz TX1 PA output (positive) 2.4 GHz RX1 LNA input (positive)
E1	RF1_OUTN	I/O		2.4 GHz TX1 PA output (negative) 2.4 GHz RX1 LNA input (negative)
E3	RF1_PA1_V33A	P		3.3 V Supply for RF channel1
E2	RF1_PA2_V33N	P		3.3 V Supply for RF channel1
C1	RF1_IN	I		2.4 GHz RX1 input (aux LNA1 input)
D3	RF1_VX_LDO	P		1.2 V to 3.3 V supply for RF1
D4	BG_V33A	P		3.3 V supply for band gap reference
A4	BG_EXTR	I/O		External reference resistor (24 k Ω)
B4	PLL_VC_CAP	I/O		PLL external loop filter
C4	GND	G		Ground ball
C5	ADC_VX_LDO	P		1.2 V to 3.3 V Supply for ADC
A5	XTAL_XI	I		Crystal oscillator input
A6	XTAL_XO	O		Crystal oscillator output
B5	XTAL_V12A	O		Crystal LDO output
A1, B2, D1, E1 will be output only when external PA/LNA.				
Ground				
C2, D2, F2, K4, F6 to F12, G6 to G12, H6 to H12, J6 to J12, K6 to K12, L6 to L12, M6 to M8, M11, M12, N11	GND	G		Ground ball
Total: 265 balls				

NOTE:

1. Pin types marked with an * indicate that they are available only in the TFBGA package.
2. Ball mapping for these pins is shown in the DDR2 Ball Map table in section 2.3.1. For information on DDR1 ball mapping, see section 2.3.2.
3. Ball mapping for these pins is shown in the DDR2 Ball Map table in section 2.3.1. For information on DDR1 ball mapping, see section 2.3.2.

2.4 Pin Descriptions (DRQFN)

Pins	Name	Type	Driv.	Description
WLAN LED				
81	WLED_N	O, IPU	4 mA	WLAN Activity LED
UART Lite				
37	RXD2	I, IPU	4 mA	UART Lite RXD
113	TXD2	O, IPU	4 mA	UART Lite TXD
SPI				
137	SPI_MISO	I/O, IPD	4 mA	Master output/Slave input
63	SPI_MOSI	I/O, IPD	4 mA	Master input/Slave output
65	SPI_WP	I/O, IPD	4 mA	GPO function
138	SPI_HOLD	I/O, IPD	4 mA	GPO function
136	SPI_CLK	O, IPD	4 mA	SPI clock
64	SPI_CS0	O, IPU	4 mA	SPI chip select0
62	SPI_CS1	O, IPU	4 mA	SPI chip select1
I2C				
111	I2C_SCLK	I/O, IPU	4 mA	I2C Clock
36	I2C_SD	O, IPU	4 mA	I2C Data
GPIO				
139	GPIO0	I/O, IPD	8 mA	GPO0 (output only)
5-Port PHY				
82	EPHY_LED0_N_JTDO	O, IPD	4 mA	10/100 PHY Port #0 activity LED, JTAG_TDO
8	EPHY_LED1_N_JTDI	I/O, IPD	4 mA	10/100 PHY Port #1 activity LED, JTAG_TDI
83	EPHY_LED2_N_JTMS	I/O, IPD	4 mA	10/100 PHY Port #2 activity LED, JTAG_TMS
7	EPHY_LED3_N_JTCLK	I/O, IPD	4 mA	10/100 PHY Port #3 activity LED, JTAG_CLK
9	EPHY_LED4_N_JTRST_N	I/O, IPU	4 mA	10/100 PHY Port #4 activity LED, JTAG_TRST_N
43	EPHY_RES_VBG	A		Connect to an external resistor to provide accurate bias current
115	MDI_RN_P0	I		10/100 PHY Port #0 RXN
38	MDI_RP_P0	I		10/100 PHY Port #0 RXP

Pins	Name	Type	Driv.	Description
116	MDI_TN_P0	O		10/100 PHY Port #0 TXN
39	MDI_TP_P0	O		10/100 PHY Port #0 TXP
42	MDI_RN_P1	I		10/100 PHY Port #1 RXN
118	MDI_RP_P1	I		10/100 PHY Port #1 RXP
41	MDI_TN_P1	O		10/100 PHY Port #1 TXN
40	MDI_TP_P1	O		10/100 PHY Port #1 TXP
121	MDI_RN_P2	I		10/100 PHY Port #2 RXN
44	MDI_RP_P2	I		10/100 PHY Port #2 RXP
46	MDI_TN_P2	O		10/100 PHY Port #2 TXN
45	MDI_TP_P2	O		10/100 PHY Port #2 TXP
125	MDI_RN_P3	I		10/100 PHY Port #3 RXN
48	MDI_RP_P3	I		10/100 PHY Port #3 RXP
124	MDI_TN_P3	O		10/100 PHY Port #3 TXN
47	MDI_TP_P3	O		10/100 PHY Port #3 TXP
126	MDI_RN_P4	I		10/100 PHY Port #4 RXN
49	MDI_RP_P4	I		10/100 PHY Port #4 RXP
127	MDI_TN_P4	O		10/100 PHY Port #4 TXN
50	MDI_TP_P4	O		10/100 PHY Port #4 TXP
Misc.				
66	PORST_N	I, IPU	4 mA	Power on reset
141	PA_PE_G0	O, IPD	16 mA	0 V to 3.3 V control for external PA0
68	PA_PE_G1	O, IPD	16 mA	0 V to 3.3 V control for external PA1
142	ANT_TRN	O, IPD	8 mA	Positive signal for antenna T/R switch
69	ANT_TRNB	O, IPD	8 mA	Negative signal for antenna T/R switch
67	WDT_RST_N	O, IPU	4 mA	Watchdog Reset
USB PHY				
129	UPHY0_V33A	P		3.3 V USB PHY analog power supply
128	UPHY0_V12D	P		1.2 V USB PHY digital power supply
130	UPHY0_VRES	I/O		Connect to an external 8.2 kΩ resistor for band-gap reference circuit
53	UPHY0_PADM	I/O		USB Port0 data pin Data-
52	UPHY0_PADP	I/O		USB Port0 data pin Data+
DDR1/SDR				
85	MD15	I/O	8 mA	SDRAM/DDR Data bit #15
11	MD14	I/O	8 mA	SDRAM/DDR Data bit #14
86	MD13	I/O	8 mA	SDRAM/DDR Data bit #13
12	MD12	I/O	8 mA	SDRAM/DDR Data bit #12
87	MD11	I/O	8 mA	SDRAM/DDR Data bit #11
13	MD10	I/O	8 mA	SDRAM/DDR Data bit #10

Pins	Name	Type	Driv.	Description
88	MD9	I/O	8 mA	SDRAM/DDR Data bit #9
14	MD8	I/O	8 mA	SDRAM/DDR Data bit #8
27	MD7	I/O	8 mA	SDRAM/DDR Data bit #7
102	MD6	I/O	8 mA	SDRAM/DDR Data bit #6
26	MD5	I/O	8 mA	SDRAM/DDR Data bit #5
101	MD4	I/O	8 mA	SDRAM/DDR Data bit #4
100	MD3	I/O	8 mA	SDRAM/DDR Data bit #3
24	MD2	I/O	8 mA	SDRAM/DDR Data bit #2
99	MD1	I/O	8 mA	SDRAM/DDR Data bit #1
23	MD0	I/O	8 mA	SDRAM/DDR Data bit #0
97	MA12	O	8 mA	SDRAM/DDR Address bit #12
21	MA11	O	8 mA	SDRAM/DDR Address bit #11
31	MA10	O	8 mA	SDRAM/DDR Address bit #10
96	MA9	O	8 mA	SDRAM/DDR Address bit #9
20	MA8	O	8 mA	SDRAM/DDR Address bit #8
19	MA7	O	8 mA	SDRAM/DDR Address bit #7
94	MA6	O	8 mA	SDRAM/DDR Address bit #6
92	MA5	O	8 mA	SDRAM/DDR Address bit #5
17	MA4	O	8 mA	SDRAM/DDR Address bit #4
104	MA3	O	8 mA	SDRAM/DDR Address bit #3
105	MA2	O	8 mA	SDRAM/DDR Address bit #2
30	MA1	O	8 mA	SDRAM/DDR Address bit #1
106	MA0	O	8 mA	SDRAM/DDR Address bit #0
107	MBA1	O	8 mA	SDRAM/DDR MBA #1
32	MBA0	O	8 mA	SDRAM/DDR MBA #0
33	MRAS_N	O	8 mA	SDRAM/DDR MRAS_N
109	MCAS_N	O	8 mA	SDRAM/DDR MCAS_N
34	MWE_N	O	8 mA	SDRAM/DDR MWE_N
16	MCK_P	O	8 mA	SDRAM MCK/DDR MCK_P
90	MCK_N	O	8 mA	DDR MCK_N
15	MDQM1	O	8 mA	SDRAM MDQM#1/DDR MDM#1
28	MDQM0	O	8 mA	SDRAM MDQM#0/DDR MDM#0
108	MCS_N	O	8 mA	SDRAM/DDR MCS_N
89	MDQS1	I/O	8 mA	DDR MDQS#1
103	MDQS0	I/O	8 mA	DDR MDQS#0
22	MCKE	O, IPD	8 mA	DDR MCKE
98	ODT	O	8 mA	DDR2 ODT

PMU

Pins	Name	Type	Driv.	Description
58	FB	A		This pin is part of the error amplifier and provides the reference voltage which the sampled output voltage is compared to. A difference between these two voltages indicates an error in the output voltage.
132	COMP	A		This pin provides the error amplifier output which compensates for errors in the output voltage identified using the FB pin.
59	UGATE	A		Gate drive for external upper MOSFET (Ipeak<200 mA; Iavg<20 mA)
133	LGATE	A		Gate drive for external lower MOSFET (Ipeak<200mA; Iavg<20mA)
60	DCDC_V33D	P		3.3 V power supply only for gate driver of SW (Ipeak<200 mA; Iavg<20 mA)
56	DCDC_V33A	P		3.3 V analog power (Ipeak<200 mA; Iavg<10 mA)
54	EXT_LDO_DIG	A		Connects to the base terminal of external BJT (Iavg<20 mA)
55	VFB_DIG	A		1.2 V output feedback
131	EXT_LDO_DDR	A		Connect to Base terminal of external BJT (Iavg<20 mA)
57	VFB_DDR	A		DDR output feedback
PLL				
61	APCK_V33A	P		3.3 V analog power supply for CPLL/PPLL
135	APCK_V12A	P		1.2 V analog power supply for CPLL/PPLL
143	BBPLL_V12A	P		1.2 V analog power supply to BB PLL
70				NC
Power				
134, 6, 112	SOC_IO_V33D	P		3.3 V digital I/O power supply
84, 35, 140, 51	SOC_CO_V12D	P		1.2 V digital core power supply
91, 110	DDR_VREF	P		0.9 V/1.25 V/GND reference voltage power supply for DDR2/DDR1/SDR
10, 93, 95, 29	VDD18/ VDD25	P		1.8 V/2.5 V/3.3 V level shifter power supply for DDR2/DDR1/SDR
18, 25	DDR_IOC_V12D	P		1.2 V I/O core power supply for DDR and SDR
122, 119, 117	EPHY_V33A	P		3.3 V power supply for EPHY
123, 114	EPHY_V12A	P		1.2 V power supply for EPHY

RF

Pins	Name	Type	Driv.	Description
75	RF0_OUTP	I/O		2.4 GHz TX0 PA output (positive) 2.4 GHz RX0 LNA input (positive)
76	RF0_OUTN	I/O		2.4 GHz TX0 PA output (negative) 2.4 GHz RX0 LNA input (negative)
2	RF0_PA1_V33A	P		3.3 V Supply for RF channel0
1	RF0_PA2_V33N	P		3.3 V Supply for RF channel0
148	RF0_VX_LDO	P		1.2 V to 3.3 V Supply for RF0
4	RF1_OUTP	I/O		2.4 GHz TX1 PA output (positive) 2.4 GHz RX1 LNA input (positive)
5	RF1_OUTN	I/O		2.4 GHz TX1 PA output (negative) 2.4 GHz RX1 LNA input (negative)
80	RF1_PA1_V33A	P		3.3 V Supply for RF channel1
79	RF1_PA2_V33N	P		3.3 V Supply for RF channel1
3	RF1_VX_LDO	P		1.2 V to 3.3 V Supply for RF1
147	BG_V33A	P		3.3 V supply for band gap reference
74	BG_EXTR	I/O		External reference resistor (24 kΩ)
73	PLL_VC_CAP	I/O		PLL external loop filter
146	PLL_VX_LDO	P		1.2 V to 3.3 V Supply for PLL
144	ADC_VX_LDO	P		1.2 V to 3.3 V Supply for ADC
145	XTAL_XI	I		Crystal oscillator input
71	XTAL_XO	O		Crystal oscillator output
72	XTAL_V12A	O		Crystal LDO output
77, 78	NC			NC
Ground				
EPAD	GND	G		Ground pin
Total: 148 pins				

NOTE:

- IPD : Internal pull-down
- IPU : Internal pull-up
- I : Input
- O : Output
- IO : Bi-directional
- P : Power
- G : Ground
- NC : Not connected

2.5 Pin Sharing Schemes

Some pins are shared with GPIO to provide maximum flexibility for system designers. The MT7620 provides up to 73 GPIO pins. Users can configure SYSCFG and GPIOMODE registers in the System Control block to specify the pin function, or they can use the registers specified below. For more information, see the Programmer's Guide. Unless specified explicitly, all the GPIO pins are in input mode after reset.

2.5.1 GPIO pin share scheme

I/O Pad Group	Normal Mode	GPIO Mode	
WLED_N	WLAN_LED_N	GPO#72	
RGMII2	GE2_RXCLK	GPIO#71	
	GE2_RXDV	GPIO#70	
	GE2_RXD3	GPIO#69	
	GE2_RXD2	GPIO#68	
	GE2_RXD1	GPIO#67	
	GE2_RXD0	GPIO#66	
	GE2_TXCLK	GPIO#65	
	GE2_TXEN	GPIO#64	
	GE2_TXD3	GPIO#63	
	GE2_TXD2	GPIO#62	
	GE2_TXD1	GPIO#61	
	GE2_TXD0	GPIO#60	
	NAND	ND_D7	GPIO#59
		ND_D6	GPIO#58
ND_D5		GPIO#57	
ND_D4		GPIO#56	
ND_D3		GPIO#55	
ND_D2		GPIO#54	
ND_D1		GPIO#53	
ND_D0		GPIO#52	
ND_ALE		GPIO#51	
ND_CLE		GPIO#50	
ND_RB_N		GPIO#49	
ND_WP	GPIO#48		
ND_RE_N	GPIO#47		
ND_WE_N	GPIO#46		
ND_CS_N	GPIO#45		
SW_PHY_LED/JTAG	EPHY_LED4_N_JTRST_N	GPIO#44	
	EPHY_LED3_N_JTCLK	GPIO#43	
	EPHY_LED2_N_JTMS	GPIO#42	
	EPHY_LED1_N_JTDI	GPIO#41	

I/O Pad Group	Normal Mode	GPIO Mode
	EPHY_LED0_N_JTDO	GPIO#40
SPI	SPI_WP	GPO#39
	SPI_HOLD	GPO#38
	SPI_CS1	GPIO#37
PERST_N	PERST_N	GPIO#36
RGMII1	GE1_RXCLK	GPIO#35
	GE1_RXDV	GPIO#34
	GE1_RXD3	GPIO#33
	GE1_RXD2	GPIO#32
	GE1_RXD1	GPIO#31
	GE1_RXD0	GPIO#30
	GE1_TXCLK	GPIO#29
	GE1_TXEN	GPIO#28
	GE1_TXD3	GPIO#27
	GE1_TXD2	GPIO#26
	GE1_TXD1	GPIO#25
	GE1_TXD0	GPIO#24
MDIO	MDC	GPIO#23
	MDIO	GPIO#22
PA_PE	PA_PE_G1	GPIO#21
	PA_PE_G0	GPIO#20
	ANT_TRN	GPO#19
	ANT_TRNB	GPO#18
WDT_RST	WDT_RST_N	GPIO#17
UARTL	RXD2	GPIO#16
	TXD2	GPO#15
UARTF	RIN	GPIO#14
	DSR_N	GPIO#13
	DCD_N	GPIO#12
	DTR_N	GPIO#11
	RXD	GPIO#10
	CTS_N	GPIO#9
	TXD	GPIO#8
	RTS_N	GPIO#7
SPI	SPI_MISO	GPIO#6
	SPI_MOSI	GPO#5
	SPI_CLK	GPO#4
	SPI_CS0	GPIO#3
I2C/SUTIF	I2C_SCLK	GPIO#2

I/O Pad Group	Normal Mode	GPIO Mode
	I2C_SD	GPIO#1
GPIO	GPO0	GPO#0

2.5.2 UARTF pin share scheme

Controlled by the UARTF_SHARE_MODE register.

Pin Name	3'b000 UARTF	3'b001 PCM, UARTF	3'b010 PCM, I2S	3'b011 I2S UARTF	3'b100 PCM, GPIO	3'b101 GPIO, UARTF	3'b110 GPIO I2S	3'b111 GPIO
RIN	RIN	PCMDTX	PCMDTX	RXD	PCMDTX	GPIO#14	GPIO#14	GPIO#14
DSR_N	DSR_N	PCMDRX	PCMDRX	CTS_N	PCMDRX	GPIO#13	GPIO#13	GPIO#13
DCD_N	DCD_N	PCMCLK	PCMCLK	TXD	PCMCLK	GPIO#12	GPIO#12	GPIO#12
DTR_N	DTR_N	PCMFS	PCMFS	RTS_N	PCMFS	GPIO#11	GPIO#11	GPIO#11
RXD	RXD	RXD	I2SSDI	I2SSDI	GPIO#10	RXD	I2SSDI	GPIO#10
CTS_N	CTS_N	CTS_N	I2SSDO	I2SSDO	GPIO#9	CTS_N	I2SSDO	GPIO#9
TXD	TXD	TXD	I2SWS	I2SWS	GPIO#8	TXD	I2SWS	GPIO#8
RTS_N	RTS_N	RTS_N	I2SCLK	I2SCLK	GPIO#7	RTS_N	I2SCLK	GPIO#7

NOTE: This scheme applies only to the TFBGA package.

2.5.3 RGMII pin share schemes

Controlled by the RGMII1_GPIO_MODE register.

Pin Name	1'b0 RGMII1	1'b1 GPIO
GE1_RXCLK	GE1_RXCLK	GPIO#35
GE1_RXDV	GE1_RXDV	GPIO#34
GE1_RXD 0 to 3	GE1_RXD 0 to 3	GPIO#33 to 30
GE1_TXCLK	GE1_TXCLK	GPIO#29
GE1_TXDV	GE1_TXDV	GPIO#28
GE1_TXD0 to 3	GE1_TXD0 to 3	GPIO#27 to 24

NOTE: This scheme applies only to the TFBGA package.

Controlled by the RGMII2_GPIO_MODE register.

Pin Name	1'b0 RGMII2	1'b1 GPIO
GE2_RXCLK	GE2_RXCLK	GPIO#71
GE2_RXDV	GE2_RXDV	GPIO#70
GE2_RXD0 to 3	GE2_RXD0 to 3	GPIO#69 to 66
GE2_TXCLK	GE2_TXCLK	GPIO#65
GE2_TXDV	GE2_TXDV	GPIO#64
GE2_TXD0 to 3	GE2_TXD0 to 3	GPIO#63 to 60

NOTE: This scheme applies only to the TFBGA package.

2.5.4 WDT_RST_MODE pin share scheme

Controlled by the WDT_RST_MODE register.

Pin Name	2'b00	2'b01	2'b1x
WDT_RST_N	WDT_RST_N	REFCLK0_OUT	GPIO#17

2.5.5 PERST_N pin share scheme

Controlled by the PERST_GPIO_MODE register.

Pin Name	2'b00	2'b01	2'b1x
PERST_N	PERST_N	REFCLK0_OUT	GPIO#36

NOTE: This scheme applies only to the TFBGA package.

2.5.6 MDC/MDIO pin share scheme:

Controlled by the MDIO_GPIO_MODE register.

Pin Name	2'b00	2'b01	2'b1x
MDC	MDC	REFCLK0_OUT	GPIO #23
MDIO	MDIO	REFCLK1_OUT	GPIO #24

2.5.7 EPHY_LED pin share scheme

Controlled by the EPHY_BT_GPIO_MODE register.

Pin Name	EPHY_LED_GPIO_MODE =1'b0		EPHY_LED_GPIO_MODE=1'b1
	EPHY_LED BS (dbg_jtag_mode=0)	JTAG BS (dbg_jtag_mode=1)	
EPHY_LED4_N_JTRST_N	EPHY_LED4_N	JTAG_RST_N	GPIO#44
EPHY_LED3_N_JTCLK	EPHY_LED3_N	JTAG_CLK	GPIO#43
EPHY_LED2_N_JTMS	EPHY_LED2_N	JTAG_TMS	GPIO#42
EPHY_LED1_N_JTDI	EPHY_LED1_N	JTAG_TDI	GPIO#41
EPHY_LED0_N_JTDO	EPHY_LED0_N	JTAG_TDO	GPIO#40

2.5.8 SPI pin share scheme

Controlled by SPI_GPIO_MODE & SPI_REFCLK_MODE registers.

Pin Name	SPI_GPIO_MODE=0		SPI_GPIO_MODE=1
	SPI_REFCLK_MODE=0	SPI_REFCLK_MODE=1	
SPI_WP	GPO#39	GPO#39	GPO#39
SPI_HOLD	GPO#38	GPO#38	GPO#38
SPI_CS1	SPI_CS1	REFCLK0_OUT /GPI#37	GPIO#37
SPI_MISO	SPI_MISO	SPI_MISO	GPIO#6
SPI_MOSI	SPI_MOSI	SPI_MOSI	GPO#5
SPI_CLK	SPI_CLK	SPI_CLK	GPO#4
SPI_CS0	SPI_CS0	SPI_CS0	GPIO#3

NOTE: I/O direction for REFCLK0_OUT at boot-up is input. Users can set GPI#37 to change to output mode.

2.5.9 ND/SD pin share scheme

Controlled by the ND_SD_GPIO_MODE register.

Pin Name	2'b00 NAND	2'b01 SD + BT + GPIO	2'b1x GPIO*15
ND_D7	ND_D7	BT_ANT	GPIO#59
ND_D6	ND_D6	BT_WACT	GPIO#58
ND_D5	ND_D5	BT_AUX	GPIO#57
ND_D4	ND_D4	BT_STAT	GPIO#56
ND_D3	ND_D3	SD_D3	GPIO#55
ND_D2	ND_D2	SD_D2	GPIO#54
ND_D1	ND_D1	SD_D1	GPIO#53
ND_D0	ND_D0	SD_D0	GPIO#52
ND_ALE	ND_ALE	SD_CMD	GPIO#51
ND_CLE	ND_CLE	SD_CARD_DETECT	GPIO#50
ND_RB_N	ND_RB_N	SD_CLK	GPIO#49
ND_WP	ND_WP	SD_WP	GPIO#48
ND_RE_N	ND_RE_N	BT_ACT	GPIO#47
ND_WE_N	ND_WE_N	GPIO#46	GPIO#46
ND_CS_N	ND_CS_N	GPIO#45	GPIO#45

NOTE :

1. All given GPIO are 4 mA drive capable.

2.5.9.1 Pin share function description

Pin Share Name	I/O	Pin Share Function description
PCMDTX	O	PCM Data Transmit DATA signal sent from the PCM host to the external codec.
PCMDRX	I	PCM Data Receive DATA signal sent from the external codec to the PCM host.
PCMCLK	I/O	PCM Clock The clock signal can be generated by the PCM host (Output direction), or provided by an external clock (input direction). The clock frequency should match the slot configuration of the PCM host. e.g. 4 slots, PCM clock out/in should be 256 kHz. 8 slots, PCM clock out/in should be 512 kHz. 16 slots, PCM clock out/in should be 1.024 MHz. 32 slots, PCM clock out/in should be 2.048 MHz. 64 slots, PCM clock out/in should be 4.096 MHz. 128 slots, PCM clock out/in should be 8.192 MHz.
PCMFS	I/O	PCM SYNC signal. In our design, the direction of this signal is independent of the direction of PCMCLK. Its direction and mode is configurable.
I2SSDI	I	I ² S Data input
I2SSDO	O	I ² S Data output
I2SWS	I/O	I ² S Channel Selection (or Word selection) In master mode the pin data direction is set to output, in slave mode it is set to input.
I2SCLK	I/O	I ² S clock In master mode the pin data direction is set to output, in slave mode it is set to input.
WDT_RST_N	I/O	Watchdog timeout reset
ND_D7	I/O	Nand flash control data bit7
ND_D6	I/O	Nand flash control data bit6
ND_D5	I/O	Nand flash control data bit5
ND_D4	I/O	Nand flash control data bit4
ND_ALE	I/O	Nand flash Address Latch Enable
ND_CLE	I/O	Nand flash Command Latch Enable

2.5.10 xMII PHY/MAC Pin Mapping

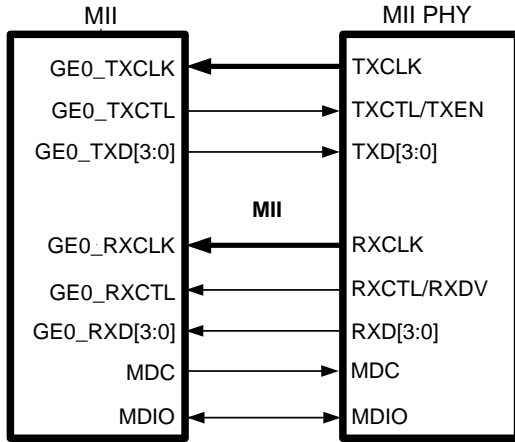


Figure 2-3 MII → MII PHY

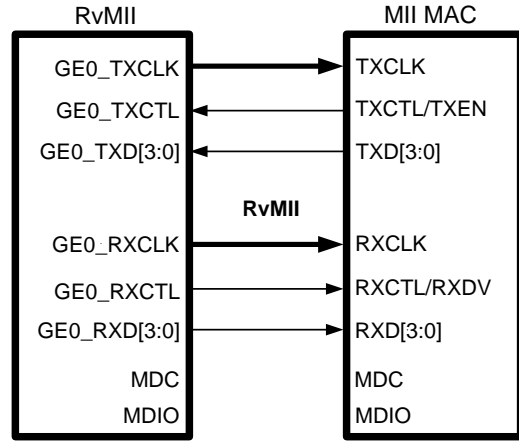


Figure 2-4 RvMII → MII MAC

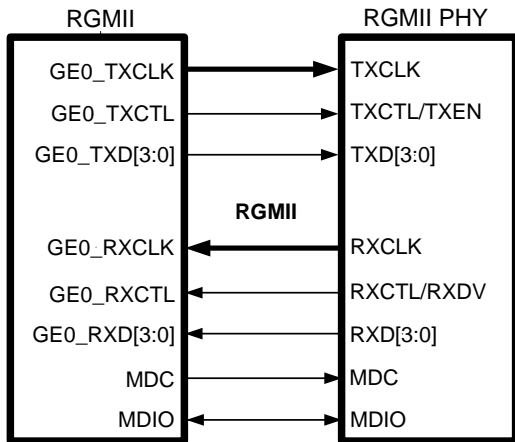


Figure 2-5 RGMII → RGMII PHY

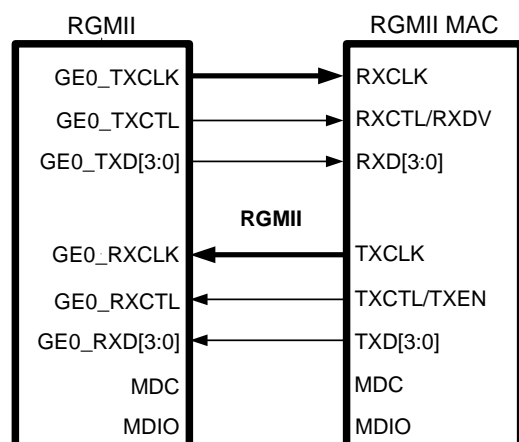


Figure 2-6 RGMII → RGMII MAC

2.6 Bootstrapping Pins Description

Pin Name	Boot Strapping Signal Name	Description
WLED_N	DRAM_FROM_EE	<i>For non-scan mode:</i> (Validate at iNIC mode (chip mode 2 to 9) and NAND flash (chip mode 1 and 12)) 0: DRAM/PLL configuration from EEPROM 1: DRAM configuration from Auto Detect
ANT_TRN	DBG_JTAG_MODE	0: EPHY_LED 1: JTAG MODE
ANT_TRNB	XTAL_FREQ_SEL	0: 20 MHz 1: 40 MHz
{SPI_WP, SPI_HOLD}	DRAM_TYPE	1: DDR1 (CPU/3) TSOP Package 2: DDR2 (CPU/3) FBGA Package 3: SDRAM (CPU/5) (LVTTL 3.3 V) TSOP Package
{SPI_MOSI SPI_CLK, TXD2 GPIO0}	CHIP_MODE[3:0]	A vector to set chip function/test/debug modes. In non-test/debug operation, 1: Normal mode (boot from ROM+NAND flash 4 cycle address/2 KB page size) 2: Normal mode (boot from SPI 3-Byte Addr) 3: Normal mode (boot from SPI 4-Byte Addr) 4: iNIC RGMII (port 5) mode(boot from ROM) 5: iNIC MII (port 5) mode(boot from ROM) 6: iNIC RVMII (port 5) mode(boot from ROM) 7: iNIC PHY (port 0) mode(boot from ROM) 8: iNIC USB mode(boot from ROM) 9: iNIC PCIe mode(boot from ROM) 10: Normal mode (boot from ROM+NAND flash 4 cycle address/512 B page size) 11: Normal mode (boot from ROM+NAND flash 5 cycle address/2 KB page size) 12: Normal mode (boot from ROM+NAND flash 3 cycle address/512 B page size) 13: Debug mode 14: Scan mode 15: Test mode(CPU will be halted in this mode)

NOTE: SDR/DDR1/DDR2 DRAM cell used is defined by register.

3. Maximum Ratings and Operating Conditions

3.3 Absolute Maximum Ratings

I/O Supply Voltage	3.6 V
Input, Output, or I/O Voltage	GND -0.3 V to Vcc +0.3 V

Table 3-1 Absolute Maximum Ratings

3.4 Maximum Temperatures

Maximum Junction Temperature (Plastic Package)	125 °C
Maximum Lead Temperature (Soldering 10 s)	260 °C

Table 3-2 Maximum Temperatures

3.5 Operating Conditions

Core Supply Voltage	1.27 V +/- 5%
Ambient Temperature Range	-20 to 55 °C
I/O Supply Voltage	3.3 V +/- 10%

Table 3-3 Operating Conditions

3.6 Thermal Characteristics

Thermal characteristics without an external heat sink in still air conditions.

MT7620N:

Thermal Resistance θ_{JA} (°C /W) for JEDEC 2L system PCB	20.14 °C/W
Thermal Resistance θ_{JA} (°C /W) for JEDEC 4L system PCB	17.19 °C/W
Thermal Resistance θ_{JC} (°C /W) for JEDEC 2L system PCB	7.29 °C/W
Thermal Resistance θ_{JC} (°C /W) for JEDEC 4L system PCB	6.14 °C/W
Thermal Resistance ψ_{jt} (°C /W) for JEDEC 2L system PCB	2.02°C/W
Thermal Resistance ψ_{jt} (°C /W) for JEDEC 4L system PCB	1.84°C/W

MT7620A:

Thermal Resistance θ_{JA} (°C /W) for JEDEC 2L system PCB	26.67 °C/W
Thermal Resistance θ_{JA} (°C /W) for JEDEC 4L system PCB	24.9 °C/W
Thermal Resistance θ_{JC} (°C /W) for JEDEC 2L system PCB	9.89 °C/W
Thermal Resistance θ_{JC} (°C /W) for JEDEC 4L system PCB	9.75 °C/W
Thermal Resistance ψ_{jt} (°C /W) for JEDEC 2L system PCB	4.31°C/W
Thermal Resistance ψ_{jt} (°C /W) for JEDEC 4L system PCB	4.19°C/W

Table 3-4 Thermal Characteristics

3.7 Storage Conditions

The calculated shelf life in a sealed bag is 12 months if stored between 0 °C and 40 °C at less than 90% relative humidity (RH). After the bag is opened, devices that are subjected to solder reflow or other high temperature processes must be handled in the following manner:

- Mounted within 168 hours of factory conditions, i.e. < 30 °C at 60% RH.
- Storage humidity needs to be maintained at < 10% RH.
- Baking is necessary if the customer exposes the component to air for over 168 hrs, baking conditions: 125 °C for 8 hrs.

3.8 External Xtal Specification

Frequency	20 MHz/ 40 Mhz
Frequency offset	+/-20 ppm
VIH/VIL	Vcc-0.3 V/0.3 V
Duty cycle	45% to 55%

Table 3-5 External Xtal Specifications

3.9 DC Electrical Characteristics

Parameters	Sym	Conditions	Min	Typ	Max	Unit
3.3 V Supply Voltage	Vcc33		3.0	3.3	3.6	V
_VX supply Voltage	Vcc15		1.3	1.5	3.3	V
RGMII IO Supply Voltage	Vdd25		2.25	2.5	2.7	V
	Vdd33		3.0	3.3	3.6	V
1.27 V Supply Voltage	Vcc12		1.20	1.27	1.33	V
DDR1 IO Supply Voltage	Vcc25		2.4	2.5	2.7	V
DDR2 IO Supply Voltage	Vcc18		1.7	1.8	1.9	V
3.3 V Current Consumption	Icc33			218	436	mA
1.5 V Current Consumption	Icc15			147	173	mA
1.27 V Current Consumption	Icc12			380	540	mA
DDR2 Current	Icc18			95	253	mA

Table 3-6 DC Electrical Characteristics

Vdd=2.5V	Min	Max
VIH	1.7V	
VIL		0.7V
VOH	2.25V	
VOL		0.4V

Table 3-7 Vdd 2.5V Electrical Characteristics

3.10 AC Electrical Characteristics

3.10.1 SDRAM Interface

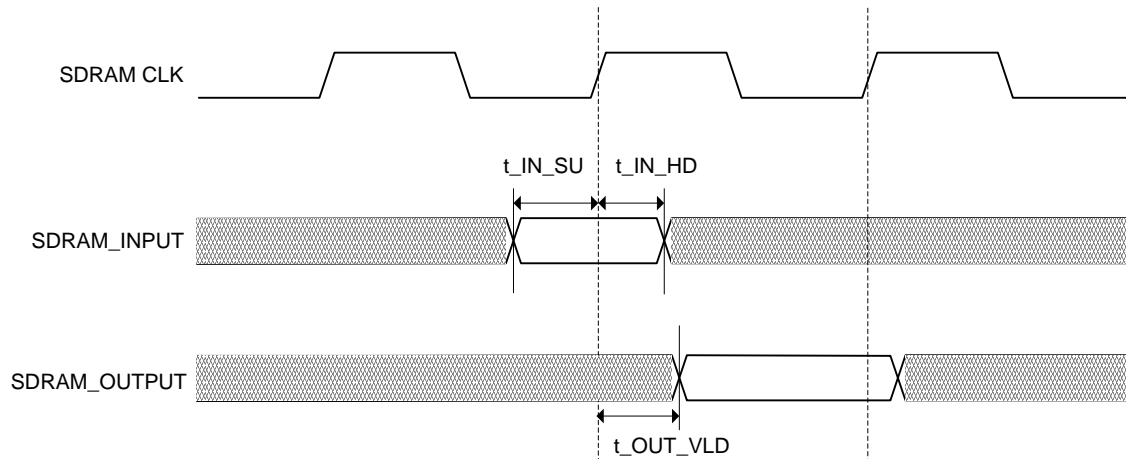


Figure 3-1 SDRAM Interface

Symbol	Description	Min	Max	Unit	Remark
t_{IN_SU}	Setup time for Input signals (e.g. MD*)	1.5	-	ns	
t_{IN_HD}	Hold time for input signals	1.7	-	ns	
t_{OUT_VLD}	SDRAM_CLK to output signals (MA*, MD*, SDRAM_RAS_N,...) valid	0.8	5	ns	output load: 8 pF

Table 3-8 SDRAM Interface Diagram Key

3.10.2 DDR2 SDRAM Interface

The DDR2 SDRAM interface complies with 200 MHz timing requirements for standard DDR2 SDRAM. The interface drivers are SSTL_18 drivers matching the EIA/JEDEC standard JESD8-15A.

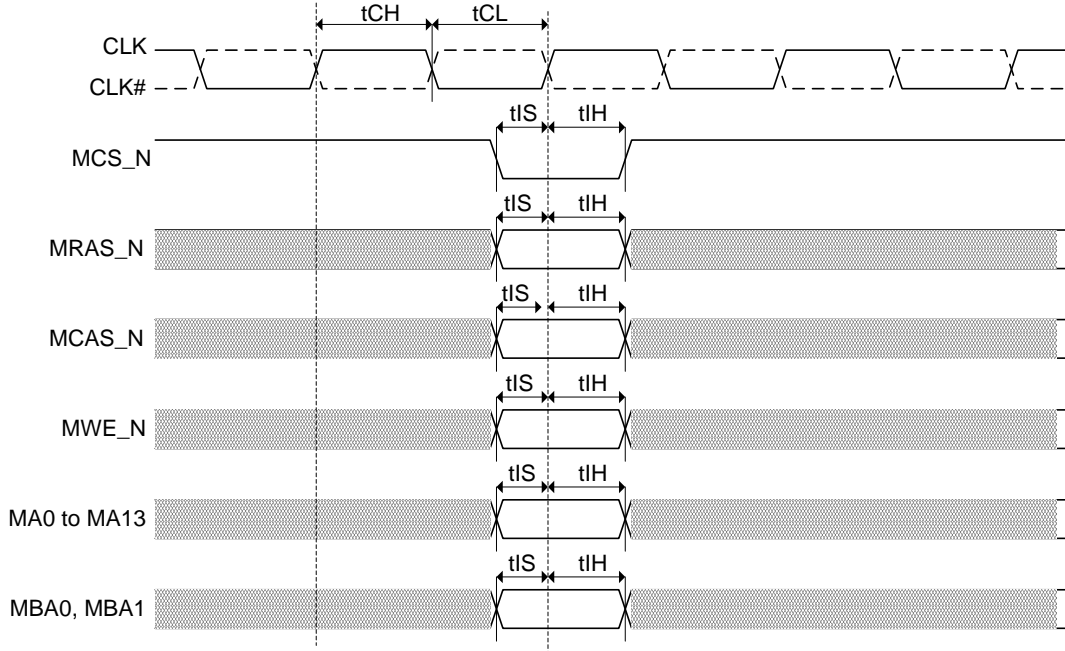


Figure 3-2 DDR2 SDRAM Command

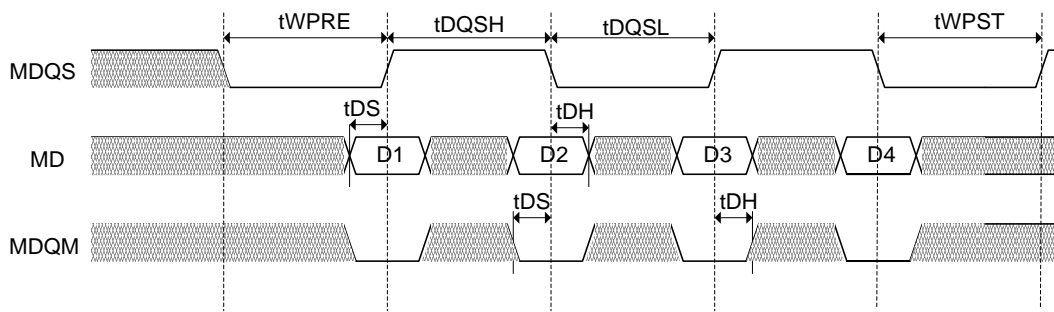


Figure 3-3 DDR2 SDRAM Write data

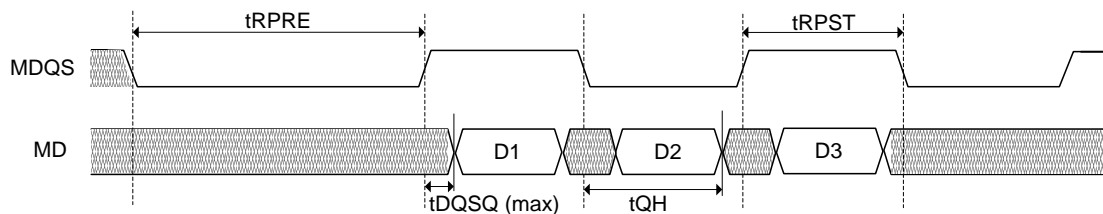


Figure 3-4 DDR2 SDRAM Read data

Symbol	Description	Min	Max	Unit	Remark
tCK(avg)	Clock cycle time	5	-	ns	
tAC	DQ output access time from SDRAM CLK	-0.6	0.6	ns	
tDQSK	DQS output access time from SDRAM CLK	-0.5	0.5	ns	
tCH	SDRAM CLK high pulse width	0.48	0.52	tCK(avg)	
tCL	SDRAM CLK low pulse width	0.48	0.52	tCK(avg)	
tHP	SDRAM CLK half period	Min(tCH,tCL)	-	ns	
tIS	Address and control input setup time	350	-	ps	
tIH	Address and control input hold time	475	-	ps	
tDQSQ	Data skew of DQS and associated DQ	-	0.35	ns	
tQH	DQ/DQS output hold time from DQS	tHP-0.45	-	ns	
tRPRE	DQS read preamble	0.9	1.1	tCK	
tRPST	DQS read postamble	0.4	0.6	tCK	
tDQSS	DQS rising edge to CK rising edge	-0.25	0.25	tCK	
tDQSH	DQS input-high pulse width	0.35	-	tCK	
tDQSL	DQS input-low pulse width	0.35	-	tCK	
tDSS	DQS falling edge to SDRAM CLK setup time	0.2	-	tCK	
tDSH	DQS falling edge hold time from SDRAM CLK	0.2	-	tCK	
tWPRE	DQS write preamble	0.35	-	tCK	
tWPST	DQS write postamble	0.4	0.6	tCK	
tDS	DQ and DQM input setup time	*0.15	-	ns	
tDH	DQ and DQM input hold time	*0.275	-	ns	

Table 3-9 DDR2 SDRAM Interface Diagram Key

NOTE: Depends on slew rate of DQS and DQ/DQM for single ended DQS.

3.10.3 RGMII Interface

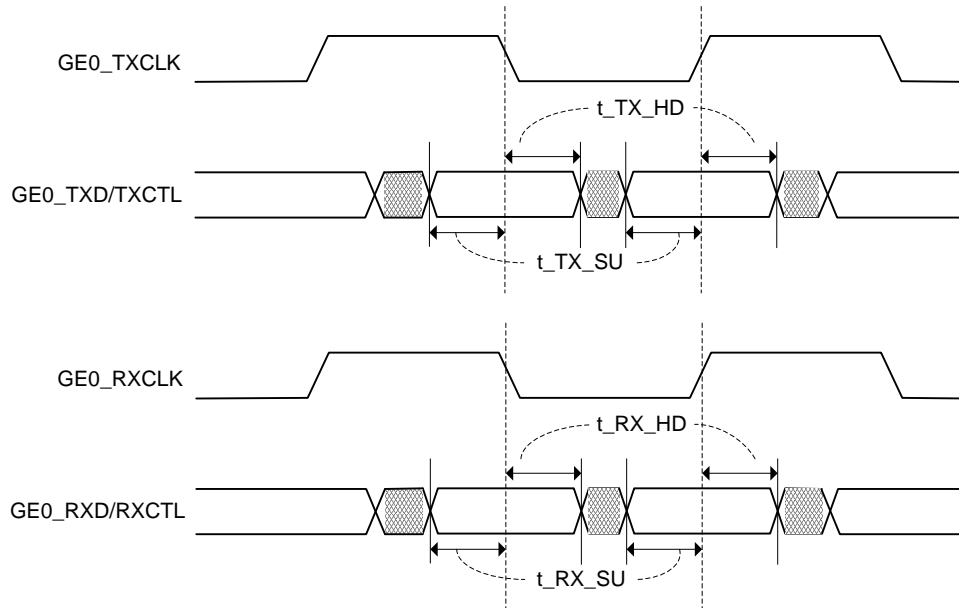


Figure 3-5 RGMII Interface

Symbol	Description	Min	Max	Unit	Remark
t_{TX_SU}	Setup time for output signals (e.g. GE0_TXD*, GE0_TXEN)	1.2	-	ns	output load: 5 pF
t_{TX_HD}	Hold time for output signals	1.2	-	ns	output load: 5 pF
t_{RX_SU}	Setup time for input signals (e.g. GE0_RXD*, GE0_RXDV)	1.0	-	ns	
t_{RX_HD}	Hold time for input signals	1.0	-	ns	

Table 3-10 RGMII Interface Diagram Key

3.10.4 MII Interface (25 Mhz)

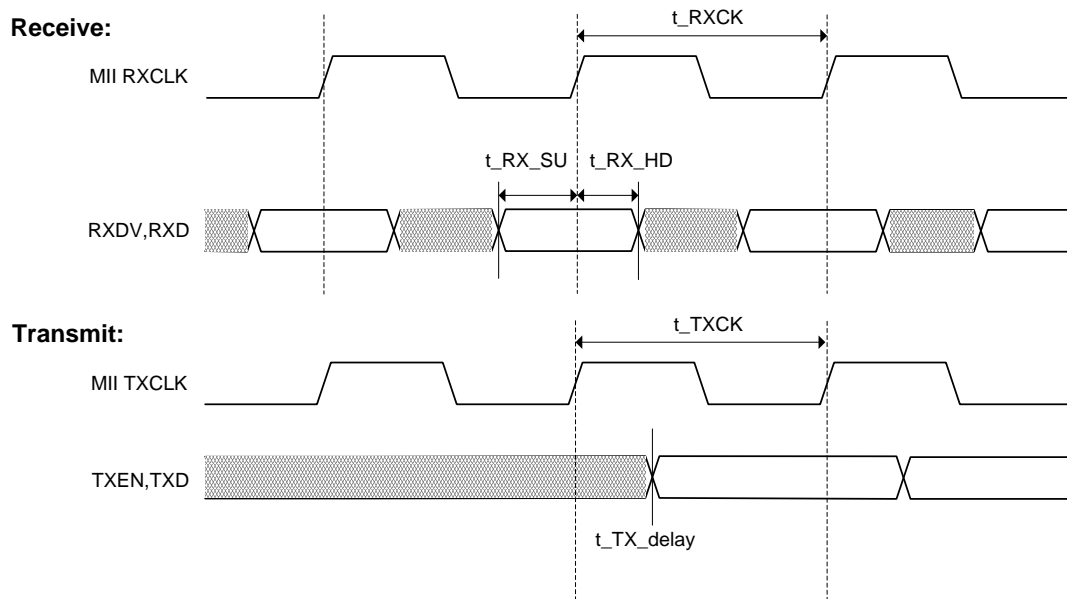


Figure 3-6 MII Interface

(For 25 Mhz TXCLK & RXCLK)

Symbol	Description	Min	Max	Unit	Remark
t_{TX_delay}	Delay to output signals (e.g. GEO_TXD*, GEO_TXEN)	6	22	ns	output load: 5 pF
t_{RX_SU}	Setup time for input signals (e.g. GEO_RXD*, GEO_RXDV)	10	-	ns	
t_{RX_HD}	Hold time for input signals	5	-	ns	

Table 3-11 MII Interface Diagram Key

3.10.5 RvMII Interface (PHY Mode MII Timing) (25 Mhz)

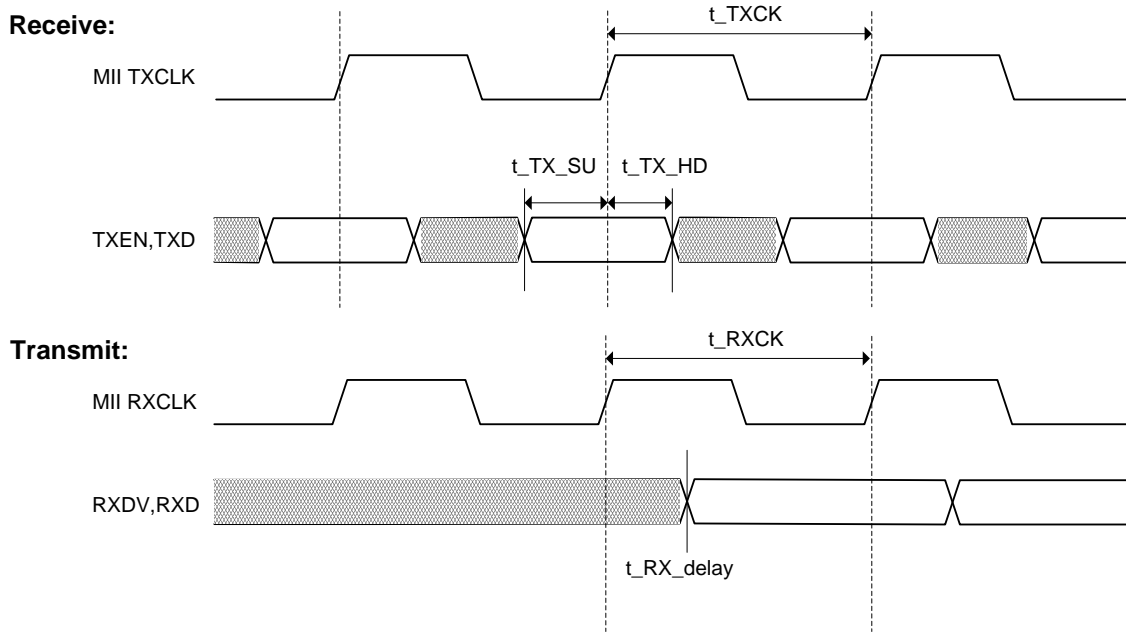


Figure 3-7 RvMII Interface

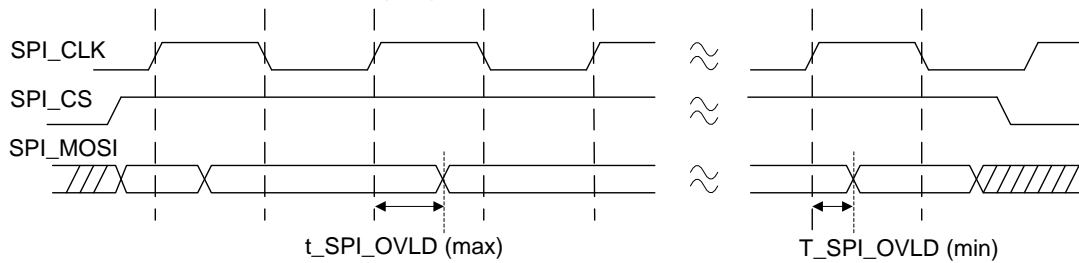
(For 25 Mhz TXCLK & RXCLK)

Symbol	Description	Min	Max	Unit	Remark
t_RX_delay	Delays to output signals (e.g. GEO_TXD*, GEO_TXEN)	5	25	ns	output load: 5 pF
t_TX_SU	Setup time for input signals (e.g. GEO_RXD*, GEO_RXDV)	15	-	ns	
t_TX_HD	Hold time for input signals	6	-	ns	

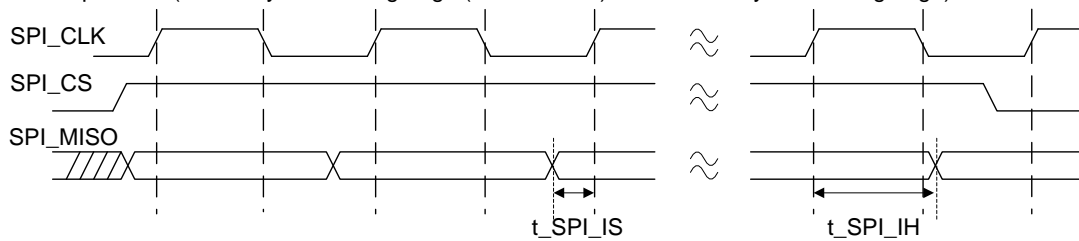
Table 3-12 RvMII Interface Diagram Key

3.10.6 SPI Interface

Write operation (driven by clock rising edge)



Read operation (Driven by clock rising edge (slave-device) and latched by clock rising edge)



NOTE: 1) SPI_CLK is a gated clock.
2) SPI_CS is controlled by software

Figure 3-8 SPI Interface

Symbol	Description	Min	Max	Unit	Remark
t_SPI_IS	Setup time for SPI input	6.0	-	ns	
t_SPI_IH	Hold time for SPI input	-1.0	-	ns	
t_SPI_OVLD	SPI_CLK to SPI output valid	-2.0	3.0	ns	output load: 5 pF

Table 3-13 SPI Interface Diagram Key

3.10.7 I²S Interface

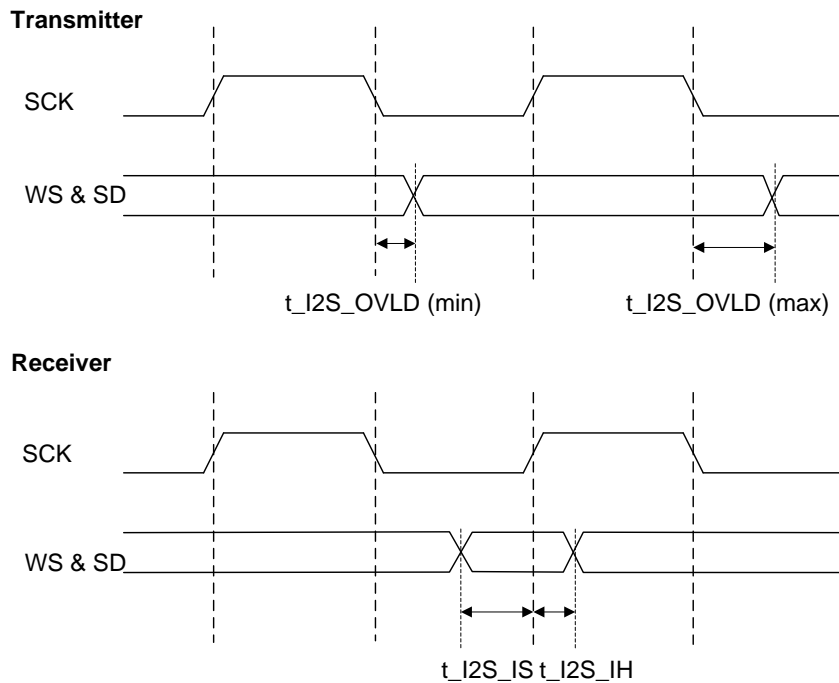


Figure 3-9 I2S Interface

Symbol	Description	Min	Max	Unit	Remark
t_{I2S_IS}	Setup time for I2S input (data & WS)	3.5	-	ns	
t_{I2S_IH}	Hold time for I2S input (data & WS)	0.5	-	ns	
t_{I2S_OVLD}	I2S_CLK to I2S output (data & WS) valid	2.5	10.0	ns	output load: 5 pF

Table 3-14 I2S Interface Diagram Key

3.10.8 PCM Interface

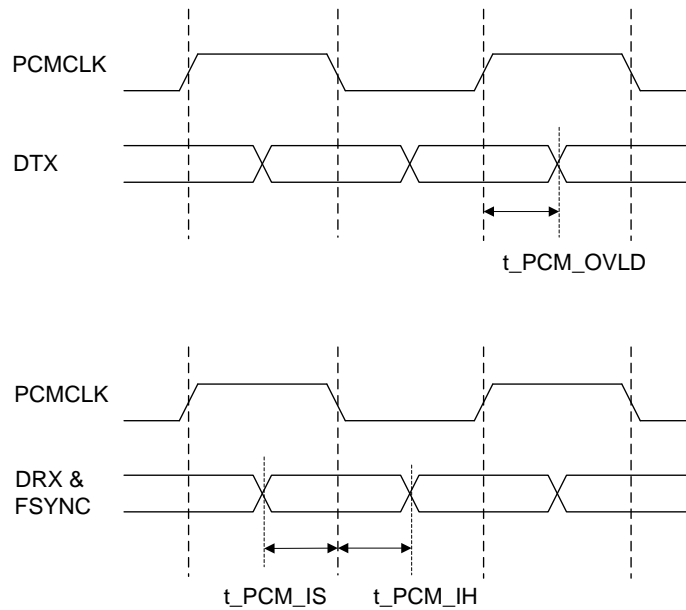


Figure 3-10 PCM Interface

Symbol	Description	Min	Max	Unit	Remark
t_{PCM_IS}	Setup time for PCM input to PCM_CLK fall	3.0	-	ns	
t_{PCM_IH}	Hold time for PCM input to PCM_CLK fall	1.0	-	ns	
t_{PCM_OVLD}	PCM_CLK rise to PCM output valid	10.0	35.0	ns	output load: 5 pF

Table 3-15 PCM Interface Diagram Key

3.10.9 Power On Sequence

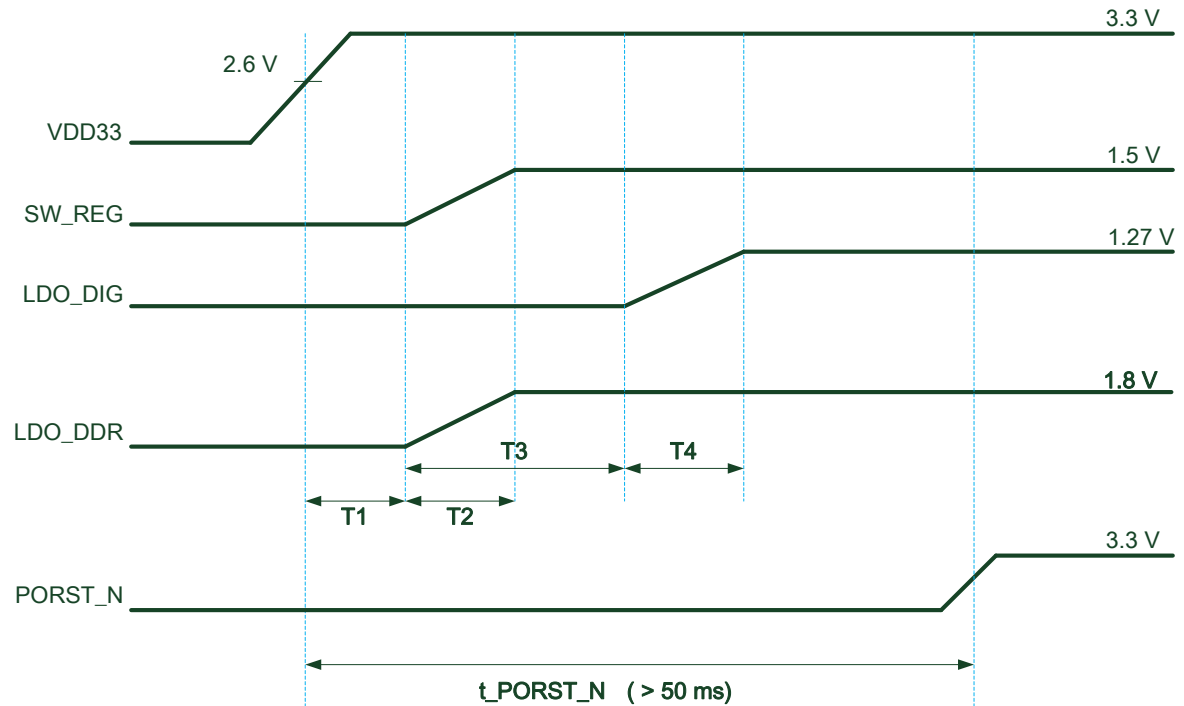


Figure 3-11 Power ON Sequence

Symbol	Description	Min	Max	Unit	Remark
T1	POR delay	800		us	
T2	Soft start	850		us	
T3	Soft start done	1.4		ms	
T4	LDO_DIG soft start	650		us	
t_PORST_N	Time between I/O power on to PORST_N de-assertion	50	-	ms	

Table 3-16 Power ON Sequence Diagram Key

3.11 Package Physical Dimensions

3.11.1 TFBGA (11 mm x 11 mm) 265 balls

3.11.1.1 TFBGA Top View

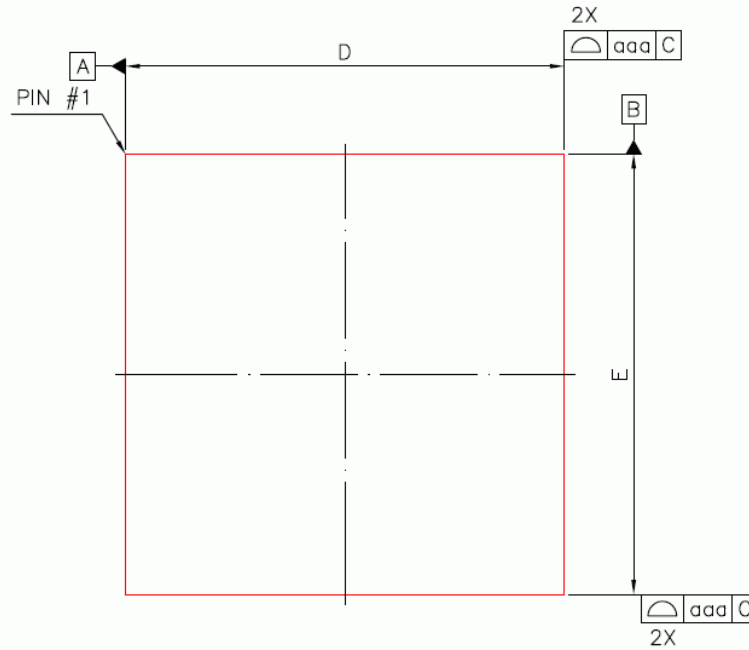


Figure 3-12 TFBGA Top View

3.11.1.2 TFBGA Side View

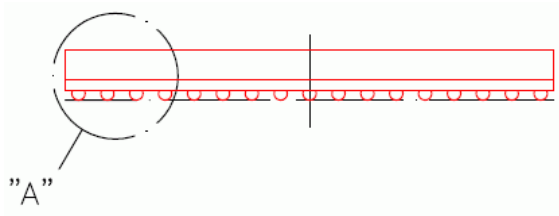


Figure 3-13 TFBGA Side View

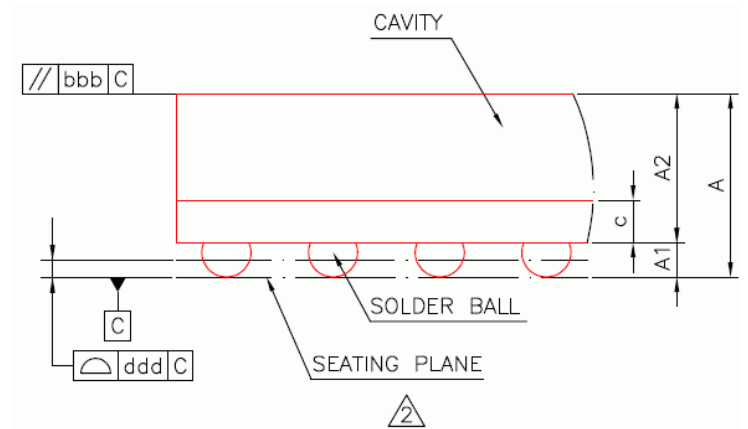


Figure 3-14 TFBGA "A" Expanded

3.11.1.3 TFBGA "A" Expanded

3.11.1.4 TFBGA Bottom View

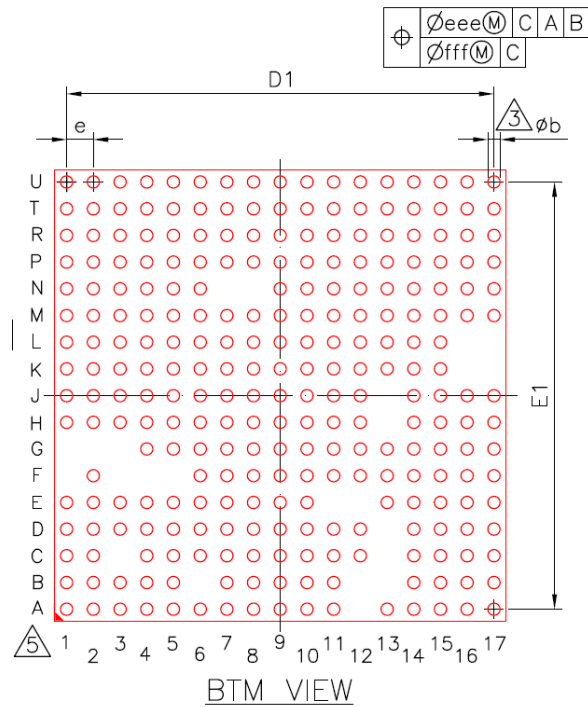


Figure 3-15 TFBGA Bottom View

3.11.1.5 TFBGA "B" Expanded

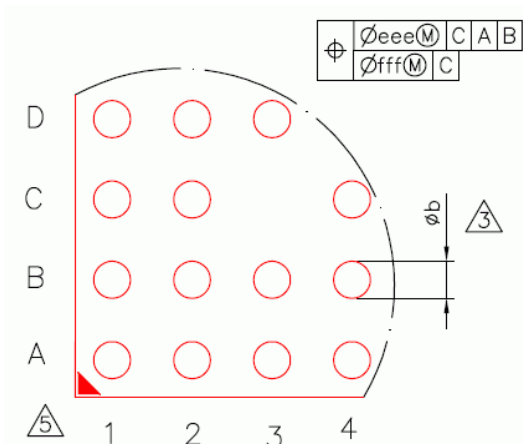


Figure 3-16 TFBGA "B" Expanded

3.11.1.6 Package Diagram Key

Symbol	Dimensions (mm)			Dimensions (inches)		
	Min.	Nom.	Max.	Min.	Nom.	Max.
A	---	---	1.20	---	---	0.047
A1	0.16	0.21	0.26	0.006	0.008	0.010
A2	0.86	0.91	0.96	0.034	0.036	0.038
c	0.22	0.26	0.30	0.009	0.010	0.012
D	10.90	11.00	11.10	0.429	0.433	0.437
E	10.90	11.00	11.10	0.429	0.433	0.437
D1	---	10.40	---	---	0.409	---
E1	---	10.40	---	---	0.409	---
e	---	0.65	---	---	0.026	---
b	0.25	0.30	0.35	0.010	0.012	0.014
aaa	0.15		0.006			
bbb	0.10		0.004			
ddd	0.08		0.003			
eee	0.15		0.006			
fff	0.08		0.003			
MD/ME	17/17		17/17			

NOTE:

- Controlling dimensions are in millimeters.
- $\triangle 2$ Primary datum C and seating plane are defined by the spherical crowns of the solder balls.
- $\triangle 3$ Dimension b is measured at the maximum solder ball diameter, parallel to primary datum C.
- Special characteristics C class: bbb, ddd.
- $\triangle 5$ The pattern of pin 1 fiducial is for reference only.

3.11.2 DR-QFN (12 mm x 12 mm) 148LD

3.11.2.1 DR-QFN Top View

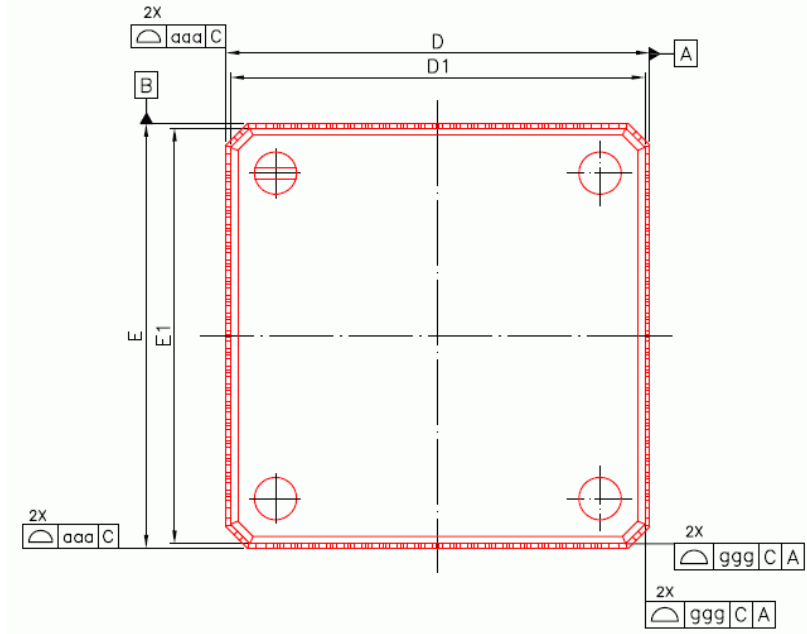


Figure 3-17 DR-QFN Top View

3.11.2.2 DR-QFN Side View

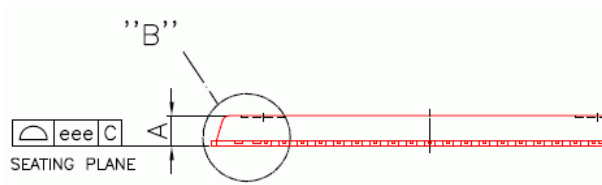


Figure 3-18 DR-QFN Side View

3.11.2.3 DR-QFN "B" Expanded

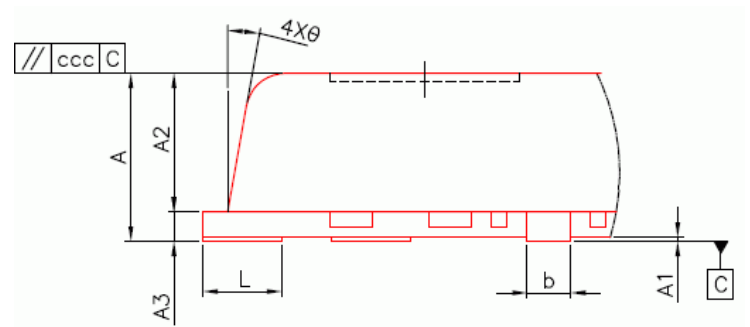


Figure 3-19 DR-QFN "B" Expanded

3.11.2.4 DR-QFN Bottom View

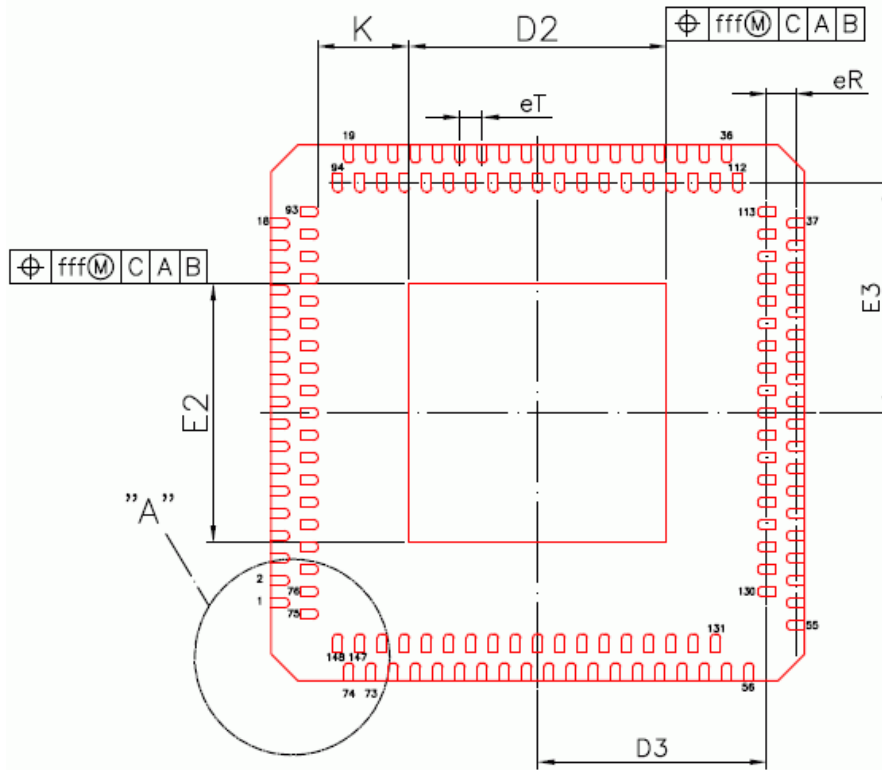


Figure 3-20 DR-QFN Bottom View

3.11.2.5 DR-QFN "A" Expanded

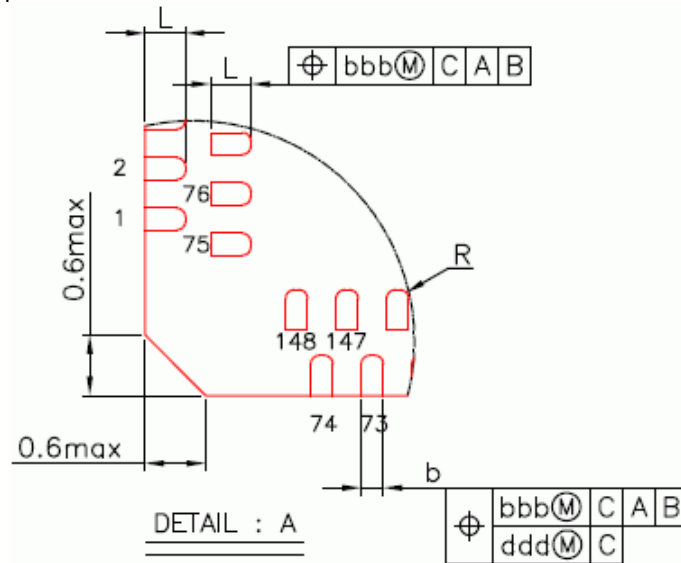


Figure 3-21 DR-QFN "A" Expanded

3.11.2.6 Package Diagram Key

Sym- bol	Dimensions (mm)			Dimensions (inches)		
	<i>Min.</i>	<i>Nom.</i>	<i>Max.</i>	<i>Min.</i>	<i>Nom.</i>	<i>Max.</i>
A	0.80	0.85	0.90	0.031	0.033	0.035
A1	0.00	0.02	0.05	0.000	0.0008	0.002
A2	0.65	0.70	0.75	0.026	0.028	0.030
A3	0.15 REF			0.006 REF		
b	0.18	0.22	0.30	0.007	0.009	0.012
D/E	11.90	12.00	12.10	0.469	0.472	0.476
D1/E1	11.75 BSC			0.463 BSC		
D3/E3	5.15 BSC			0.203 BSC		
eT	0.50 BSC			0.020 BSC		
eR	0.65 BSC			0.026 BSC		
L	0.30	0.40	0.50	0.012	0.016	0.020
θ	5°	---	15°	5°	---	15°
K	0.20	---	---	0.008	---	---
R	0.09	---	---	0.004	---	---
aaa	0.10			0.004		
bbb	0.07			0.003		
ccc	0.10			0.004		
ddd	0.05			0.002		
eee	0.08			0.003		
fff	0.10			0.004		
ggg	0.20			0.008		

NOTE:

1. Controlling dimensions are in millimeters.
2. Reference document: JEDEC MO-267

Exposed Pad Size						
L/F	D2/E2 (mm)			D2/E2 (inches)		
	<i>Min.</i>	<i>Nom.</i>	<i>Max.</i>	<i>Min.</i>	<i>Nom.</i>	<i>Max.</i>
	5.65	5.80	5.95	0.222	0.228	0.234

Internal Pad Size						
L/F	(mm)			(inches)		
	<i>Min.</i>	<i>Nom.</i>	<i>Max.</i>	<i>Min.</i>	<i>Nom.</i>	<i>Max.</i>
	5.85	6.00	6.15	0.230	0.236	0.242

3.11.3 MT7620 N/A marking



YYWW: Date code
LLLLLLLLL : Lot number
“.” : Pin #1 dot

Figure 3-22 MT7620N top marking



YYWW: Date code
LLLLLLLLL : Lot number
“.” : Pin #1 dot

Figure 3-23 MT7620A top marking

3.11.4 Reflow profile guideline

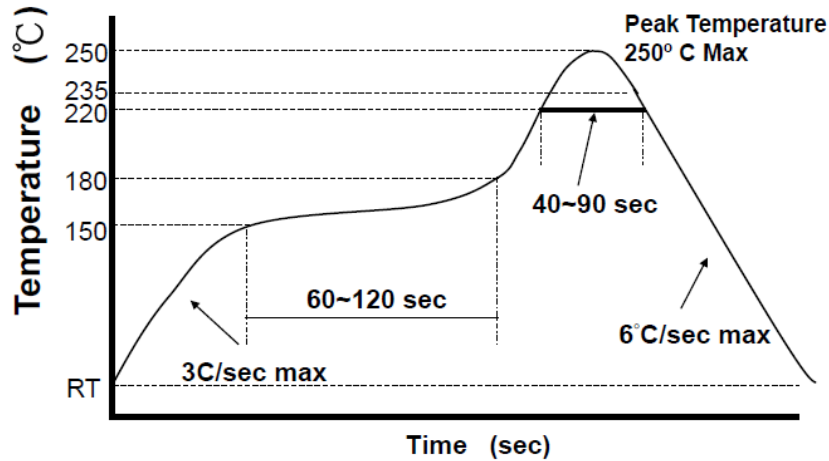


Figure 3-24 Reflow profile for MT7620

Notes;

1. Reflow profile guideline is designed for SnAgCu lead-free solder paste.
2. Reflow temperature is defined at the solder ball of package/or the lead of package.
3. MTK would recommend customer following the solder paste vendor's guideline to design a profile appropriate your line and products.
4. Appropriate N2 atmosphere is recommended since it would widen the process window and mitigate the risk for having solder open issues.

4. Abbreviations

Abbrev.	Description	Abbrev.	Description
AC	Access Category	CLK	Clock
ACK	Acknowledge/ Acknowledgement	CPU	Central Processing Unit
ACPR	Adjacent Channel Power Ratio	CRC	Cyclic Redundancy Check
AD/DA	Analog to Digital/Digital to Analog converter	CSR	Control Status Register
ADC	Analog-to-Digital Converter	CTS	Clear to Send
AES	Advanced Encryption Standard	CW	Contention Window
AGC	Auto Gain Control	CWmax	Maximum Contention Window
AIFS	Arbitration Inter-Frame Space	CWmin	Minimum Contention Window
AIFSN	Arbitration Inter-Frame Spacing Number	DAC	Digital-To-Analog Converter
ALC	Asynchronous Layered Coding	DCF	Distributed Coordination Function
A-MPDU	Aggregate MAC Protocol Data Unit	DDONE	DMA Done
A-MSDU	Aggregation of MAC Service Data Units	DDR	Double Data Rate
AP	Access Point	DFT	Discrete Fourier Transform
ASIC	Application-Specific Integrated Circuit	DIFS	DCF Inter-Frame Space
ASME	American Society of Mechanical Engineers	DMA	Direct Memory Access
ASYNCR	Asynchronous	DSP	Digital Signal Processor
BA	Block Acknowledgement	DW	DWORD
BAC	Block Acknowledgement Control	EAP	Expert Antenna Processor
BAR	Base Address Register	EDCA	Enhanced Distributed Channel Access
BBP	Baseband Processor	EECS	EEPROM chip select
BGSEL	Band Gap Select	EEDI	EEPROM data input
BIST	Built-In Self-Test	EEDO	EEPROM data output
BSC	Basic Spacing between Centers	EEPROM	Electrically Erasable Programmable Read-Only Memory
BJT		eFUSE	electrical Fuse
BSSID	Basic Service Set Identifier	EESK	EEPROM source clock
BW	Bandwidth	EIFS	Extended Inter-Frame Space
CCA	Clear Channel Assessment	EIV	Extend Initialization Vector
CCK	Complementary Code Keying	EVM	Error Vector Magnitude
CCMP	Counter Mode with Cipher Block Chaining Message Authentication Code Protocol	FDS	Frequency Domain Spreading
CCX	Cisco Compatible Extensions	FEM	Front-End Module
CF-END	Control Frame End	FEQ	Frequency Equalization
CF-ACK	Control Frame Acknowledgement	FIFO	First In First Out
		FSM	Finite-State Machine
		GF	Green Field
		GND	Ground
		GP	General Purpose

Abbrev.	Description
GPO	General Purpose Output
GPIO	General Purpose Input/Output
HCCA	HCF Controlled Channel Access
HCF	Hybrid Coordination Function
HT	High Throughput
HTC	High Throughput Control
ICV	Integrity Check Value
IFS	Inter-Frame Space
iNIC	Intelligent Network Interface Card
IV	Initialization Vector
I ² C	Inter-Integrated Circuit
I ² S	Integrated Inter-Chip Sound
I/O	Input/Output
IPI	Idle Power Indicator
IQ	In phase/Quadrature phase
JEDEC	Joint Electron Devices Engineering Council
JTAG	Joint Test Action Group
kbps	kilo (1000) bits per second
KB	Kilo (1024) Bytes
LDO	Low-Dropout Regulator
LDODIG	LDO for DIGital part output voltage
LED	Light-Emitting Diode
LNA	Low Noise Amplifier
LO	Local Oscillator
L-SIG	Legacy Signal Field
MAC	Medium Access Control
MCU	Microcontroller Unit
MCS	Modulation and Coding Scheme
MDC	Management Data Clock
MDIO	Management Data Input/Output
MEM	Memory
MFB	MCS Feedback
MFS	MFB Sequence
MIC	Message Integrity Code
MIMO	Multiple-Input Multiple-Output
MLNA	Monolithic Low Noise Amplifier
MM	Mixed Mode

Abbrev.	Description
MOSFET	Metal Oxide Semiconductor Field Effect Transistor
MPDU	MAC Protocol Data Units
MSB	Most Significant Bit
NAV	Network Allocation Vector
NAS	Network-Attached Server
NAT	Network Address Translation
NDP	Null Data Packet
NVM	Non-Volatile Memory
ODT	On-die Termination
Oen	Output Enable
OFDM	Orthogonal Frequency-Division Multiplexing
OSC	Open Sound Control
PA	Power Amplifier
PAPE	Provider Authentication Policy Extension
PBC	Push Button Configuration
PBF	Packet Buffer
PCB	Printed Circuit Board
PCF	Point Coordination Function
PCM	Pulse-Code Modulation
PHY	Physical Layer
PIFS	PCF Interframe Space
PLCP	Physical Layer Convergence Protocol
PLL	Phase-Locked Loop
PME	Physical Medium Entities
PMU	Power Management Unit
PN	Packet Number
PROM	Programmable Read-Only Memory
PSDU	Physical layer Service Data Unit
PSI	Power supply Strength Indication
PSM	Power Save Mode
PTN	Packet Transport Network
QoS	Quality of Service
RDG	Reverse Direction Grant
RAM	Random Access Memory
RF	Radio Frequency
RGMI	Reduced Gigabit Media Independent Interface

Abbrev.	Description
RH	Relative Humidity
RoHS	Restriction on Hazardous Substances
ROM	Read-Only Memory
RSSI	Received Signal Strength Indication (Indicator)
RTS	Request to Send
RvMII	Reverse Media Independent Interface
Rx	Receive
RXD	Received Data
RXINFO	Receive Information
RXWI	Receive Wireless Information
S	Stream
SDXC	Secure Digital eXtended Capacity
SDIO	Secure Digital Input Output
SDRAM	Synchronous Dynamic Random Access Memory
SEC	Security
SGI	Short Guard Interval
SIFS	Short Inter-Frame Space
SoC	System-on-a-Chip
SPI	Serial Peripheral Interface
SRAM	Static Random Access Memory
SSCG	Spread Spectrum Clock Generator
STBC	Space-Time Block Code
SW	Switch Regulator
TA	Transmitter Address
TBTT	Target Beacon Transmission Time
TDLS	Tunnel Direct Link Setup

Abbrev.	Description
TKIP	Temporal Key Integrity Protocol
TRSW	Tx/Rx Switch
TSF	Timing Synchronization Function
TSSI	Transmit Signal Strength Indication
Tx	Transmit
TxBF	Transmit Beamforming
TXD	Transmitted Data
TXDAC	Transmit Digital-Analog Converter
TXINFO	Transmit Information
TXOP	Opportunity to Transmit
TXWI	Tx Wireless Information
UART	Universal Asynchronous Rx/ Tx
USB	Universal Serial Bus
UTIF	Universal Test Interface
VGA	Variable Gain Amplifier
VCO	Voltage Controlled Amplifier
VIH	High Level Input Voltage
VIL	Low Level Input Voltage
VoIP	Voice over IP
WCID	Wireless Client Identification
WEP	Wired Equivalent
WI	Wireless Information
WIV	Wireless Information Valid
WMM	Wi-Fi Multimedia
WPA	Wi-Fi Protected Access
WPDMA	Wireless Polarization Division Multiple Access
WS	Word Select

5. Revision History

Rev	Date	Description
1.0	2012/07/09	Initial Release
1.1	2012/07/18	Update SPI_WP/SPI_HOLD GPO table
1.2	2012/08/20	Fix DRQFN internal pad size typo
1.3	2012/09/12	Add IR reflow guideline

This product is not designed for use in medical and/or life support applications. Do not use this product in these types of equipment or applications. This document is subject to change without notice and Ralink assumes no responsibility for any inaccuracies that may be contained in this document. Ralink reserves the right to make

changes in its products to improve function, performance, reliability, and to attempt to supply the best product possible.