

2.3" Single Digit Alpha Numeric Display

FEATURES

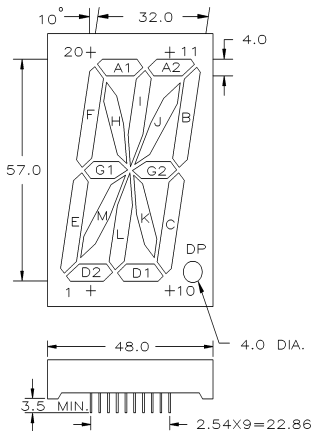
- 2.3" digit height
- Right hand decimal point
- Additional colors/materials available

OPTO-ELECTRICAL CHARACTERISTICS (Ta = 25°C)

PART NO.	PEAK WAVE LENGTH (nm)	EMITTED COLOR	FACE COLORS		MAXIMUM RATINGS			OPTO-ELECTRICAL CHARACTERISTICS						PIN-OUT
			SURFACE COLOR	EPOXY COLOR	IF (mA)	VR (V)	PD (mW)	VF(V)		IR(μA)		IV(μcd)		
								Seg. typ. @40mA	DP typ. @20mA	max.	@VR	typ. per seg.	@mA	
MTAN2123-AG	567	Green	Grey	White	30	5	85	4.2	2.1	100	5	4100	20	1
MTAN4123-AO	635	Orange	Grey	White	30	5	85	4.2	2.1	100	5	4700	20	1
MTAN4123-AHR	635	Hi-Eff Red	Red	Red	30	5	85	4.2	2.1	100	5	4700	20	1
MTAN7123M-42A	660	Ultra Red	Grey	White	30	4	70	3.4	1.7	100	4	20600	20	1
MTAN2123-CG	567	Green	Grey	White	30	5	85	4.2	2.1	100	5	4100	20	2
MTAN4123-CO	635	Orange	Grey	White	30	5	85	4.2	2.1	100	5	4700	20	2
MTAN4123-CHR	635	Hi-Eff Red	Red	Red	30	5	85	4.2	2.1	100	5	4700	20	2
MTAN7123M-42C	660	Ultra Red	Grey	White	30	4	70	3.4	1.7	100	4	20600	20	2

Operating Temperature: -25~+85, Storage Temperature: -25~+100. Other face/epoxy colors are available.
 Typical luminous intensity of decimal point in μcd @10mA - Red: 1800, Green: 6800, Yellow: 5500, Hi-Eff Red & Orange: 7800, Ultra Bright Red: 20600.

PACKAGE DIMENSIONS AND PIN FUNCTIONS



PINOUT 1

COMMON ANODE

PIN NO. FUNCTION

1. COMMON ANODE
2. CATHODE G1
3. CATHODE E
4. CATHODE D2
5. CATHODE M
6. CATHODE L
7. CATHODE D1
8. CATHODE K
9. CATHODE C
10. CATHODE DP
11. COMMON ANODE
12. CATHODE G2
13. CATHODE B
14. CATHODE A2
15. CATHODE J
16. CATHODE I
17. CATHODE A1
18. CATHODE H
19. CATHODE F
20. NO CONNECTION

PINOUT 2

COMMON CATHODE

PIN NO. FUNCTION

1. COMMON CATHODE
2. ANODE G1
3. ANODE E
4. ANODE D2
5. ANODE M
6. ANODE L
7. ANODE D1
8. ANODE K
9. ANODE C
10. ANODE DP
11. COMMON CATHODE
12. ANODE G2
13. ANODE B
14. ANODE A2
15. ANODE J
16. ANODE I
17. ANODE A1
18. ANODE H
19. ANODE F
20. NO CONNECTION

1. ALL DIMENSIONS ARE IN mm. TOLERANCE IS ±0.25mm UNLESS OTHERWISE SPECIFIED.
 2. THE SLOPE ANGLE OF ANY PIN MAY BE ±5.0° MAX.



120 Broadway • Menands, New York 12204

Toll Free: (800) 98-4LEDS • Fax: (518) 432-7454

For up-to-date product info visit our web site at www.marktechopto.com

All specifications subject to change.