

0.4" Dual Digit Display

FEATURES

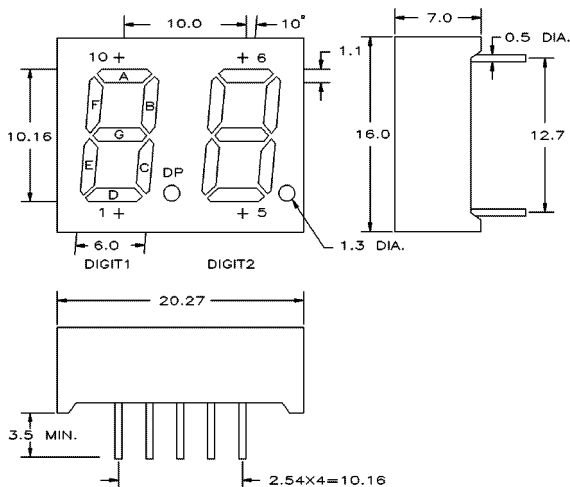
- 0.4" digit height
- Right hand decimal point
- Duplex drive
- Additional colors/materials available

OPTO-ELECTRICAL CHARACTERISTICS (Ta = 25°C)

PART NO.	PEAK WAVE LENGTH (nm)	EMITTED COLOR	FACE COLORS		MAXIMUM RATINGS			OPTO-ELECTRICAL CHARACTERISTICS						PIN-OUT	
			SURFACE COLOR	EPOXY COLOR	IF (mA)	VR (V)	PD (mW)	VF(V)			IR(μA)		IV(μcd)		
								typ.	max.	@mA	max.	@VR	typ. per seg.		@mA
MTN2240-11A	567	Green	Grey	White	30	5	85	2.1	3.0	20	100	5	2900	10	1
MTN4240-11A	635	Orange	Grey	White	30	5	85	2.1	3.0	20	100	5	3300	10	1
MTN4240R-11A	635	Hi-Eff Red	Red	Red	30	5	85	2.1	3.0	20	100	5	3300	10	1
MTN7240M-11A	660	Ultra Red	Grey	White	30	4	70	1.7	2.2	20	100	4	17300	20	1
MTN2240-11C	567	Green	Grey	White	30	5	85	2.1	3.0	20	100	5	2900	10	2
MTN4240-11C	635	Orange	Grey	White	30	5	85	2.1	3.0	20	100	5	3300	10	2
MTN4240R-11C	635	Hi-Eff Red	Red	Red	30	5	85	2.1	3.0	20	100	5	3300	10	2
MTN7240M-11C	660	Ultra Red	Grey	White	30	4	70	1.7	2.2	20	100	4	17300	20	2

Operating Temperature: -25~+85, Storage Temperature: -25~+100. Other face/epoxy colors are available.

PACKAGE DIMENSIONS AND PIN FUNCTIONS



PINOUT 1

COMMON ANODE	
PIN NO.	FUNCTION
1.	CATHODE D
2.	CATHODE DP
3.	CATHODE E
4.	CATHODE C
5.	D2 COMMON ANODE
6.	CATHODE B
7.	CATHODE A
8.	CATHODE F
9.	CATHODE G
10.	D1 COMMON ANODE

PINOUT 2

COMMON CATHODE	
PIN NO.	FUNCTION
1.	ANODE D
2.	ANODE DP
3.	ANODE E
4.	ANODE C
5.	D2 COMMON CATHODE
6.	ANODE B
7.	ANODE A
8.	ANODE F
9.	ANODE G
10.	D1 COMMON CATHODE

1. ALL DIMENSIONS ARE IN mm, TOLERANCE IS ± 0.25 mm UNLESS OTHERWISE SPECIFIED.
2. THE SLOPE ANGLE OF ANY PIN MAY BE $\pm 5.0^\circ$ MAX.



120 Broadway • Menands, New York 12204

Toll Free: (800) 98-4LEDS • Fax: (518) 432-7454

For up-to-date product info visit our web site at www.marktechopto.com

All specifications subject to change.