

# 0.3" Dual Digit Display

## FEATURES

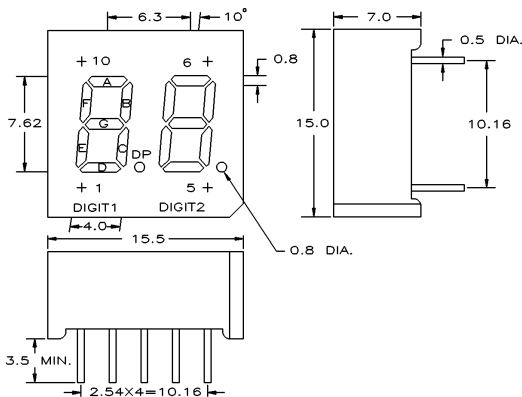
- 0.3" digit height
- Additional colors/materials available
- Optional decimal point

## OPTO-ELECTRICAL CHARACTERISTICS (Ta = 25°C)

| PART NO.     | PEAK WAVE LENGTH (nm) | EMITTED COLOR | FACE COLORS   |             | MAXIMUM RATINGS |        |         | OPTO-ELECTRICAL CHARACTERISTICS |      |     |        |     |               | PIN-OUT |     |
|--------------|-----------------------|---------------|---------------|-------------|-----------------|--------|---------|---------------------------------|------|-----|--------|-----|---------------|---------|-----|
|              |                       |               | SURFACE COLOR | EPOXY COLOR | IF (mA)         | VR (V) | PD (mW) | VF(V)                           |      |     | IR(μA) |     | IV(μcd)       |         |     |
|              |                       |               |               |             |                 |        |         | typ.                            | max. | @mA | max.   | @VR | typ. per seg. |         | @mA |
| MTN3032-AG   | 567                   | Green         | Grey          | White       | 30              | 5      | 85      | 2.1                             | 3.0  | 20  | 100    | 5   | 2900          | 10      | 1   |
| MTN3036-AO   | 635                   | Orange        | Grey          | White       | 30              | 5      | 85      | 2.1                             | 3.0  | 20  | 100    | 5   | 3300          | 10      | 1   |
| MTN3036-AHR  | 635                   | Hi-Eff Red    | Red           | Red         | 30              | 5      | 85      | 2.1                             | 3.0  | 20  | 100    | 5   | 3300          | 10      | 1   |
| MTN7230M-AUR | 660                   | Ultra Red     | Grey          | White       | 30              | 4      | 70      | 1.7                             | 2.2  | 20  | 100    | 4   | 17300         | 20      | 1   |
| MTN3033-CG   | 567                   | Green         | Grey          | White       | 30              | 5      | 85      | 2.1                             | 3.0  | 20  | 100    | 5   | 2900          | 10      | 2   |
| MTN3037-CO   | 635                   | Orange        | Grey          | White       | 30              | 5      | 85      | 2.1                             | 3.0  | 20  | 100    | 5   | 3300          | 10      | 2   |
| MTN3037-CHR  | 635                   | Hi-Eff Red    | Red           | Red         | 30              | 5      | 85      | 2.1                             | 3.0  | 20  | 100    | 5   | 3300          | 10      | 2   |
| MTN7230M-CUR | 660                   | Ultra Red     | Grey          | White       | 30              | 4      | 70      | 1.7                             | 2.2  | 20  | 100    | 4   | 17300         | 20      | 2   |

Operating Temperature: -25~+85, Storage Temperature: -25~+100. Other face/epoxy colors are available.

## PACKAGE DIMENSIONS AND PIN FUNCTIONS



### PINOUT 1

COMMON ANODE

PIN NO. FUNCTION

1. CATHODE G
2. NO PIN
3. CATHODE A
4. CATHODE F
5. D2 COMMON ANODE
6. CATHODE D
7. CATHODE E
8. CATHODE C
9. CATHODE B
10. D1 COMMON ANODE

### PINOUT 2

COMMON CATHODE

PIN NO. FUNCTION

1. ANODE G
2. NO PIN
3. ANODE A
4. ANODE F
5. D2 COMMON CATHODE
6. ANODE D
7. ANODE E
8. ANODE C
9. ANODE B
10. D1 COMMON CATHODE

1. ALL DIMENSIONS ARE IN mm, TOLERANCE IS  $\pm 0.25$ mm UNLESS OTHERWISE SPECIFIED.
2. THE SLOPE ANGLE OF ANY PIN MAY BE  $\pm 5.0^\circ$  MAX.



120 Broadway • Menands, New York 12204  
Toll Free: (800) 98-4LEDS • Fax: (518) 432-7454

For up-to-date product info visit our web site at [www.marktechopto.com](http://www.marktechopto.com)

All specifications subject to change.