



YENYO

MUR805 THRU MUR860

Glass Passivated Efficient Fast Recovery Rectifier

Features

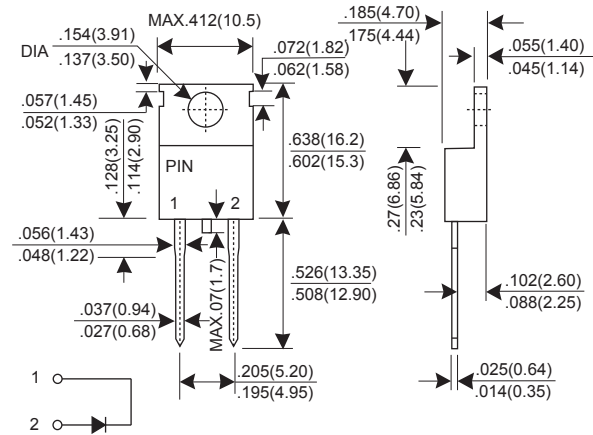
- ★ Fast switching for high efficiency
- ★ Low forward voltage drop
- ★ High current capability
- ★ Low reverse leakage current
- ★ High surge current capability

Mechanical Data

- ★ Case: Molded plastic TO-220AC
- ★ Epoxy: UL 94V-0 rate flame retardant
- ★ Terminals: Solderable per MIL-STD-202 method 208
- ★ Polarity: Color band denotes cathode
- ★ Mounting position: Any
- ★ Weight: 2.07 grams

Voltage Range 50 to 600 V
Current 8.0 Ampere

TO-220AC



Dimensions in inches and (millimeters)

MAXIMUM RATINGS AND ELECTRICAL CHARACTERISTICS

Rating at 25°C ambient temperature unless otherwise specified.

Single phase, half wave, 60Hz, resistive or inductive load.

For capacitive load, derate current by 20%.

CHARACTERISTIC	SYMBOL	MUR805	MUR810	MUR820	MUR840	MUR860	UNIT	
Maximum Recurrent Peak Reverse Voltage	VRRM	50	100	200	400	600	V	
Maximum RMS Voltage	VRMS	35	70	140	280	420	V	
Maximum DC Blocking Voltage	VDC	50	100	200	400	600	V	
Maximum Average Forward Rectified Current Tc=150°C	IF(AV)	8.0						A
Peak Forward Surge Current, 8.3ms single Half sine-wave superimposed on rated load (JEDEC method)	IFSM	125						A
Maximum Instantaneous Forward Voltage @ 8.0 A	VF	0.975			1.3	1.5	V	
Maximum DC Reverse Current @Tj=25°C At Rated DC Blocking Voltage @Tj=125°C	IR	10.0						uA
		250						uA
Maximum Reverse Recovery Time (Note 1)	Trr	25			50		nS	
Typical Thermal Resistance (Note 2)	RθJC	3.0			2.0		°CW	
Operating Junction and Storage Temperature Range	TJ, TSTG	-65 to +175					°C	

NOTES : (1) Reverse recovery test conditions IF = 0.5A, IR = 1.0A, Irr = 0.25A.
(2) Thermal Resistance junction to case.

RATINGS AND CHARACTERISTIC CURVES MUR805 THRU MUR860

FIG.1 - FORWARD CURRENT DERATING CURVE

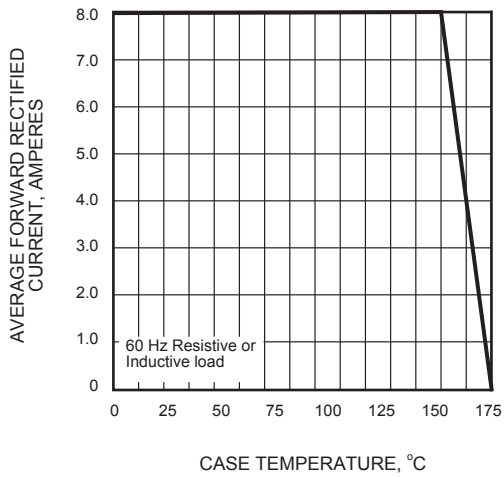


FIG.2 - MAXIMUM NON-REPETITIVE PEAK FORWARD SURGE CURRENT

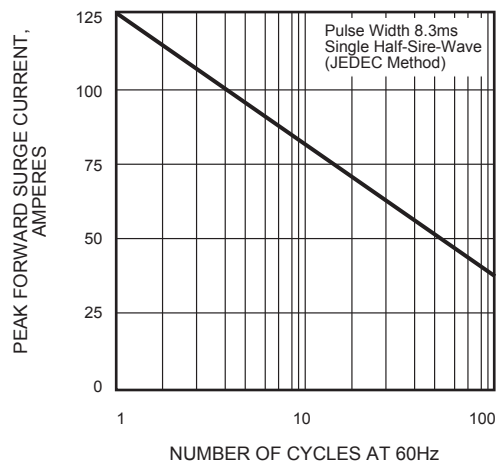


FIG.3 - TYPICAL INSTANTANEOUS FORWARD CHARACTERISTICS

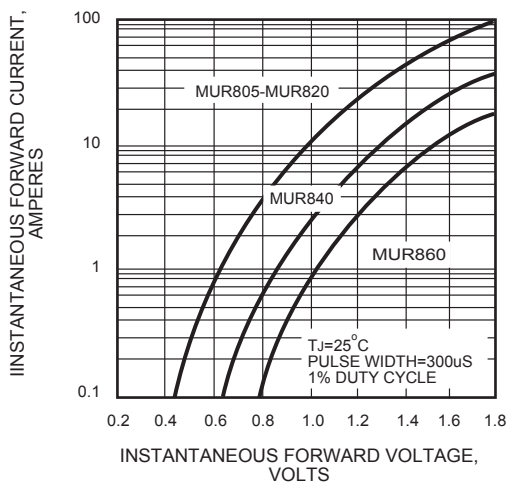


FIG.4 - TYPICAL REVERSE CHARACTERISTICS

