



FEATURES

- 131,072 bytes by 8-bit organization
- Fast access time: 70ns(V_{cc}:5V±5%; CL:35pF)
90/120ns(V_{cc}:5V±10%; CL:100pF)
- Low power consumption
 - 50mA maximum active current
 - 100uA maximum standby current
- Programming and erasing voltage 12V ± 5%
- Command register architecture
 - Byte Programming (15us typical)
 - Auto chip erase 5 seconds typical (including preprogramming time)
 - Block Erase
- Optimized high density blocked architecture
 - Four 4-KB blocks
 - Seven 16-KB blocks
- Auto Erase (chip & block) and Auto Program
 - DATA polling
 - Toggle bit
- 10,000 minimum erase/program cycles
- Latch-up protected to 100mA from -1 to V_{CC}+1V
- Advanced CMOS Flash memory technology
- Compatible with JEDEC-standard byte-wide 32-pin EPROM pinouts
- Package type:
 - 32-pin plastic DIP
 - 32-pin PLCC
 - 32-pin TSOP (Type 1)

GENERAL DESCRIPTION

The MX28F1000P is a 1-mega bit Flash memory organized as 128K bytes of 8 bits each. MXIC's Flash memories offer the most cost-effective and reliable read/write non-volatile random access memory. The MX28F1000P is packaged in 32-pin PDIP, PLCC and TSOP. It is designed to be reprogrammed and erased in-system or in-standard EPROM programmers.

The standard MX28F1000P offers access times as fast as 70 ns, allowing operation of high-speed microprocessors without wait states. To eliminate bus contention, the MX28F1000P has separate chip enable (\overline{CE}) and output enable (\overline{OE}) controls.

MXIC's Flash memories augment EPROM functionality with in-circuit electrical erasure and programming. The MX28F1000P uses a command register to manage this functionality, while maintaining a standard 32-pin pinout. The command register allows for 100% TTL level control inputs and fixed power supply levels during erase and programming, while maintaining maximum EPROM compatibility.

MXIC Flash technology reliably stores memory contents even after 10,000 erase and program cycles. The MXIC cell is designed to optimize the erase and programming mechanisms. In addition, the combination of advanced tunnel oxide processing and low internal electric fields for erase and programming operations produces reliable cycling. The

MX28F1000P uses a 12.0V ± 5% V_{PP} supply to perform the Auto Program/Erase algorithms.

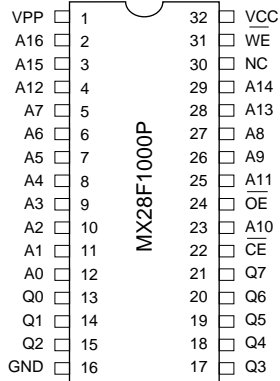
The highest degree of latch-up protection is achieved with MXIC's proprietary non-epi process. Latch-up protection is proved for stresses up to 100 milliamps on address and data pin from -1V to V_{CC} + 1V.

MX28F1000P Block Address and Block Structure

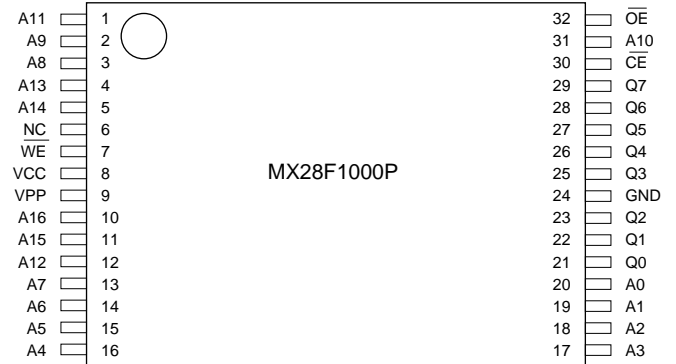
A16	A15	A14	A13	A12		A[16:0]
1	1	1	1	1	⇐	4k 1 F F F F 1 F 0 0 0
1	1	1	1	0	⇐	4k 1 E F F F 1 E 0 0 0
1	1	1	0	1	⇐	4k 1 D F F F 1 D 0 0 0
1	1	1	0	0	⇐	4k 1 C F F F 1 C 0 0 0
1	1	0	X	X	⇐	16k 1 B F F F 1 8 0 0 0 1 7 F F F
1	0	1	X	X	⇐	16k 1 4 0 0 0 1 3 F F F
1	0	0	X	X	⇐	16k 1 0 0 0 0 0 F F F F
0	1	1	X	X	⇐	16k 0 C 0 0 0 0 B F F F
0	1	0	X	X	⇐	16k 0 8 0 0 0 0 7 F F F
0	0	1	X	X	⇐	16k 0 4 0 0 0 0 3 F F F
0	0	0	X	X	⇐	16k 0 0 0 0 0

PIN CONFIGURATIONS

32 PDIP

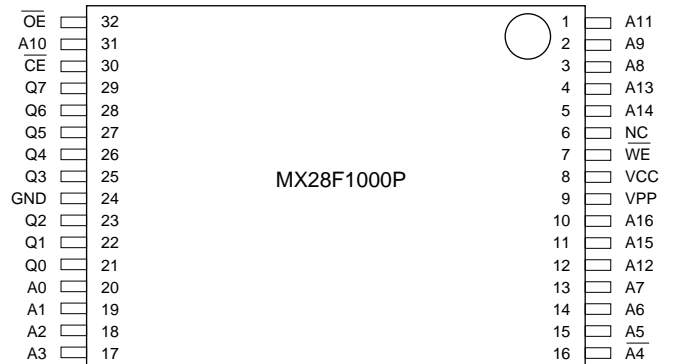
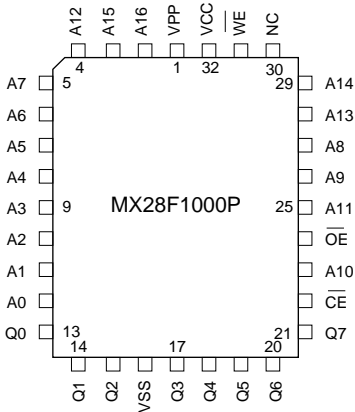


TSOP (TYPE 1)



(NORMAL TYPE)

32 PLCC

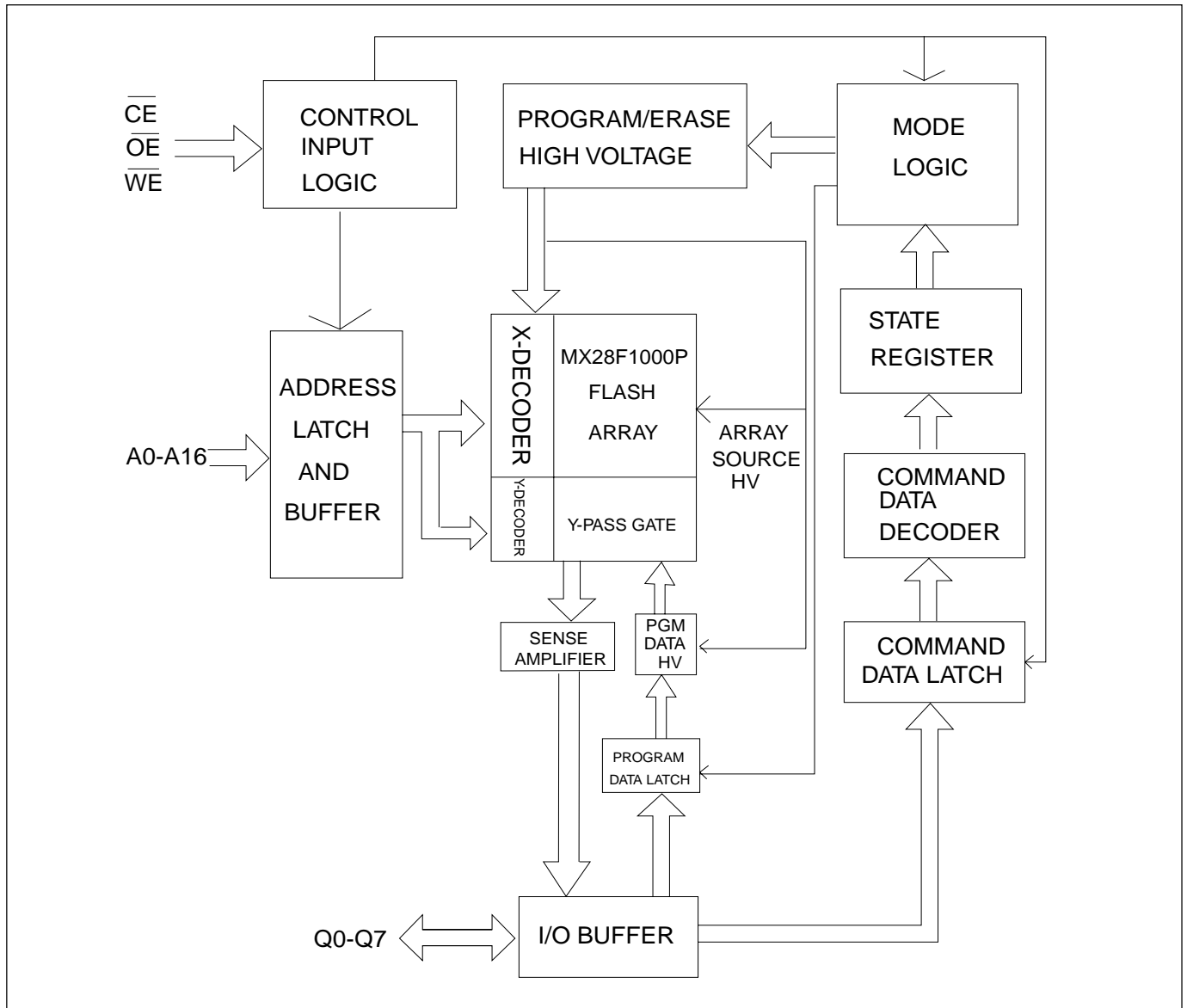


(REVERSE TYPE)

PIN DESCRIPTION:

SYMBOL	PIN NAME
A0~A16	Address Input
Q0~Q7	Data Input/Output
CE	Chip Enable Input
OE	Output Enable Input
WE	Write enable Pin
VPP	Program Supply Voltage
VCC	Power Supply Pin (+5V)
GND	Ground Pin

BLOCK DIAGRAM



AUTOMATIC PROGRAMMING

The MX28F1000P is byte programmable using the Automatic Programming algorithm. The Automatic Programming algorithm does not require the system to time out or verify the data programmed. The typical room temperature chip programming time of the MX28F1000P is less than 5 seconds.

AUTOMATIC CHIP ERASE

The device may be erased using the Automatic Erase algorithm. The Automatic Erase algorithm automatically programs the entire array prior to electrical erase. The timing and verification of electrical erase are controlled internal to the device.

AUTOMATIC BLOCK ERASE

The MX28F1000P is block(s) erasable using MXIC's Auto Block Erase algorithm. Block erase modes allow blocks of the array to be erased in one erase cycle. The Automatic Block Erase algorithm automatically programs the specified block(s) prior to electrical erase. The timing and verification of electrical erase are controlled internal to the device.

AUTOMATIC PROGRAMMING ALGORITHM

MXIC's Automatic Programming algorithm requires the user to only write a program set-up command and a program command (program data and address). The device automatically times the programming pulse width, provides the program verify, and counts the number of sequences. A status bit similar to $\overline{\text{DATA}}$ polling and a status bit toggling between consecutive read cycles, provide feedback to the user as to the status of the programming operation.

AUTOMATIC ERASE ALGORITHM

MXIC's Automatic Erase algorithm requires the user to only write an erase set-up command and erase command. The device will automatically pre-program and verify the entire array. Then the device automatically times the erase pulse width, provides the erase verify, and counts the number of sequences. A status bit similar to $\overline{\text{DATA}}$ polling and a status bit toggling between consecutive read cycles, provide feedback to the user as to the status of the erase operation.

Commands are written to the command register using standard microprocessor write timings. Register contents serve as inputs to an internal state-machine which controls the erase and programming circuitry. During write cycles, the command register internally latches address and data needed for the programming and erase operations. For system design simplification, the MX28F1000P is designed to support either $\overline{\text{WE}}$ or $\overline{\text{CE}}$ controlled writes. During a system write cycle, addresses are latched on the falling edge of $\overline{\text{WE}}$ or $\overline{\text{CE}}$ whichever occurs last. Data is latched on the rising edge of $\overline{\text{WE}}$ or $\overline{\text{CE}}$ whichever occur first. To simplify the following discussion, the $\overline{\text{WE}}$ pin is used as the write cycle control pin throughout the rest of this text. All setup and hold times are with respect to the $\overline{\text{WE}}$ signal.

MXIC's Flash technology combines years of EPROM experience to produce the highest levels of quality, reliability, and cost effectiveness. The MX28F1000P electrically erases all bits simultaneously using Fowler-Nordheim tunneling. The bytes are programmed one byte at a time using the EPROM programming mechanism of hot electron injection.

TABLE 1. COMMAND DEFINITIONS

COMMAND	BUS CYCLES	FIRST BUS CYCLE			SECOND BUS CYCLE		
		OPERATION	ADDRESS	DATA	OPERATION	ADDRESS	DATA
Read Memory	1	Write	X	00H			
Read Identified codes	2	Write	X	90H	Read	IA	ID
Setup auto erase/ auto erase (chip)	2	Write	X	30H	Write	X	30H
Setup auto erase/ auto erase (block)	2	Write	X	20H	Write	EA	D0H
Setup auto program/ program	2	Write	X	40H	Write	PA	PD
Setup Erase/ Erase (chip)	2	Write	X	20H	Write	X	20H
Setup Erase/ Erase (block)	2	Write	X	60H	Write	EA	60H
Erase verify	2	Write	EVA	A0H	Read	X	EVD
Reset	2	Write	X	FFH	Write	X	FFH

Note:

IA = Identifier address

EA = Block of memory location to be erased

PA = Address of memory location to be programmed

ID = Data read from location IA during device identification

PD = Data to be programmed at location PA

EVA = Address of memory location to be read during erase verify.

EVD = Data read from location EVA during erase verify.

**Auto modes have the build-in enhanced features.
Please use the auto erase mode whenever it is.**

COMMAND DEFINITIONS

When low voltage is applied to the VPP pin, the contents of the command register default to 00H, enabling read-only operation.

Placing high voltage on the VPP pin enables read/write operations. Device operations are selected by writing specific data patterns into the command register. Table 1 defines these MX28F1000P register commands. Table 2 defines the bus operations of MX28F1000P.

TABLE 2. MX28F1000P BUS OPERATIONS

OPERATION		VPP(1)	A0	A9	\overline{CE}	\overline{OE}	\overline{WE}	DQ0-DQ7
READ-ONLY	Read	VPPL	A0	A9	VIL	VIL	VIH	Data Out
	Output Disable	VPPL	X	X	VIL	VIH	VIH	Tri-State
	Standby	VPPL	X	X	VIH	X	X	Tri-State
	Read Silicon ID (Mfr)(2)	VPPL	VIL	VID(3)	VIL	VIL	VIH	Data = C2H
	Read Silicon ID (Device)(2)	VPPL	VIH	VID(3)	VIL	VIL	VIH	Data = 1AH
READ/WRITE	Read	VPPH	A0	A9	VIL	VIL	VIH	Data Out(4)
	Standby(5)	VPPH	X	X	VIH	X	X	Tri-State
	Write	VPPH	A0	A9	VIL	VIH	VIL	Data In(6)

NOTES:

- VPPL may be grounded, a no-connect with a resistor tied to ground, or $\leq VCC + 2.0V$. VPPH is the programming voltage specified for the device. When VPP = VPPL, memory contents can be read but not written or erased.
- Manufacturer and device codes may also be accessed via a command register write sequence. Refer to Table 1. All other addresses are don't care.
- VID is the Silicon-ID-Read high voltage.(11.5V to 13v)
- Read operations with VPP = VPPH may access array data or Silicon ID codes.
- With VPP at high voltage, the standby current equals ICC + IPP (standby).
- Refer to Table 1 for valid Data-In during a write operation.
- X can be VIL or VIH.

READ COMMAND

While VPP is high, for erase and programming, memory contents can also be accessed via the read command. The read operation is initiated by writing 00H into the command register. Microprocessor read cycles retrieve array data. The device remains enabled for reads until the command register contents are altered.

The default contents of the register upon VPP power-up is 00H. This default value ensures that no spurious alteration of memory contents occurs during the VPP power transition. Where the VPP supply is hard-wired to the MX28F1000P, the device powers up and remains enabled for reads until the command register contents are changed.

SILICON-ID-READ COMMAND

Flash-memories are intended for use in applications where the local CPU alters memory contents. As such, manufacturer- and device-codes must be accessible while the device resides in the target system. PROM programmers typically access signature codes by raising A9 to a high voltage. However, multiplexing high voltage onto address lines is not a desired system-design practice.

The MX28F1000P contains a Silicon-ID-Read operation to supplement traditional PROM-programming methodology. The operation is initiated by writing 90H into the command register. Following the command write, a read cycle from address 0000H retrieves the manufacturer code of C2H. A read cycle from address 0001H returns the device code of 1AH.

SET-UP AUTOMATIC CHIP ERASE/ERASE COMMANDS

The automatic chip erase does not require the device to be entirely pre-programmed prior to executing the Automatic set-up erase command and Automatic chip erase command. Upon executing the Automatic chip erase command, the device automatically will program and verify the entire memory for an all-zero data pattern. When the device is automatically verified to contain an all-zero pattern, a self-timed chip erase and verify begin. The erase and verify operations are complete when the data on DQ7 is "1" at which time the

device returns to the Read mode. The system is not required to provide any control or timing during these operations.

When using the Automatic Chip Erase algorithm, note that the erase automatically terminates when adequate erase margin has been achieved for the memory array (no erase verify command is required). The margin voltages are internally generated in the same manner as when the standard erase verify command is used.

The Automatic set-up erase command is a command-only operation that stages the device for automatic electrical erasure of all bytes in the array. Automatic set-up erase is performed by writing 30H to the command register.

To command automatic chip erase, the command 30H must be written again to the command register. The automatic chip erase begins on the rising edge of the \overline{WE} and terminates when the data on DQ7 is "1" and the data on DQ6 stops toggling for two consecutive read cycles, at which time the device returns to the Read mode.

SET-UP AUTOMATIC BLOCK ERASE/ERASE COMMANDS

The automatic block erase does not require the device to be entirely pre-programmed prior to executing the Automatic set-up block erase command and Automatic block erase command. Upon executing the Automatic block erase command, the device automatically will program and verify the block(s) memory for an all-zero data pattern. The system is not required to provide any controls or timing during these operations.

When the block(s) is automatically verified to contain an all-zero pattern, a self-timed block erase and verify begin. The erase and verify operations are complete when the data on DQ7 is "1" and the data on DQ6 stops toggling for two consecutive read cycles, at which time the device returns to the Read mode. The system is not required to provide any control or timing during these operations.

When using the Automatic Block Erase algorithm, note that the erase automatically terminates when adequate erase margin has been achieved for the memory array (no erase verify command is required). The margin

voltages are internally generated in the same manner as when the standard erase verify command is used.

The Automatic set-up block erase command is a command only operation that stages the device for automatic electrical erasure of selected blocks in the array. Automatic set-up block erase is performed by writing 20H to the command register.

To enter automatic block erase, the user must write the command D0H to the command register. Block addresses are loaded into internal register on the 2nd falling edge of \overline{WE} . Each successive block load cycles, started by the falling edge of \overline{WE} , must begin within 30ms from the rising edge of the preceding \overline{WE} . Otherwise, the loading period ends and internal auto block erase cycle starts. When the data on DQ7 is "1" and the data on DQ6 stops toggling for two consecutive read cycles, at which time auto erase ends and the device returns to the Read mode.

Refer to page 2 for detailed block address.

SET-UP AUTOMATIC PROGRAM/PROGRAM COMMANDS

The Automatic Set-up Program is a command-only operation that stages the device for automatic programming. Automatic Set-up Program is performed by writing 40H to the command register.

Once the Automatic Set-up Program operation is performed, the next \overline{WE} pulse causes a transition to an active programming operation. Addresses are internally latched on the falling edge of the \overline{WE} pulse. Data is internally latched on the rising edge of the \overline{WE} pulse. The rising edge of \overline{WE} also begins the programming operation. The system is not required to provide further controls or timings. The device will automatically provide an adequate internally generated program pulse and verify margin. The automatic programming operation is completed when the data read on DQ6 stops toggling for two consecutive read cycles and the data on DQ7 and DQ6 are equivalent to data written to these two bits, at which time the device returns to the Read mode (no program verify command is required).

SET-UP CHIP ERASE/ERASE COMMANDS

Set-up Chip Erase is a command-only operation that stages the device for electrical erasure of all bytes in the array. The set-up erase operation is performed by writing 20H to the command register.

To commence chip erasure, the erase command (20H) must again be written to the register. The erase operation begins with the rising edge of the \overline{WE} pulse.

This two-step sequence of set-up followed by execution ensures that memory contents are not accidentally erased. Also, chip-erasure can only occur when high voltage is applied to the VPP pin. In the absence of this high voltage, memory contents are protected against erasure.

SET-UP BLOCK ERASE/ERASE COMMANDS

Set-up Block Erase is a command-only operation that stages the device for electrical erasure of all selected block(s) in the array. The set-up erase operation is performed by writing 60H to the command register.

To enter block-erasure, the block erase command 60H must be written again to the command register. The block erase mode allows 1 to 8 blocks of the array to be erased in one internal erase cycle. Internally, there are 8 registers (flags) addressed by A14 to A16. First block address is loaded into internal registers on the 2-nd falling of \overline{WE} . Each successive block load cycles, started by the falling edge of \overline{WE} , must begin within 30ms from the rising edge of the preceding \overline{WE} . Otherwise, the loading period ends and internal block erase cycle starts. When the data on DQ7 is "1" at which time auto erase ends and the device returns to the Read mode.

ERASE-VERIFY COMMAND

After each erase operation, all bytes must be verified. The erase verify operation is initiated by writing A0H into the command register. The address for the byte to be verified must be supplied as it is latched on the falling edge of the \overline{WE} pulse.

The MX28F1000P applies an internally generated margin voltage to the addressed byte. Reading FFH from the addressed byte indicates that all bits in the byte are erased.

The erase-verify command must be written to the command register prior to each byte verification to latch its address. The process continues for each byte in the array until a byte does not return FFH data, or the last address is accessed.

In the case where the data read is not FFH, another erase operation is performed. (Refer to Set-up Erase/ Erase). Verification then resumes from the address of the last-verified byte. Once all bytes in the array have been verified, the erase step is complete. The device can be programmed. At this point, the verify operation is terminated by writing a valid command (e.g. Program Set-up) to the command register. The High Reliability Erase algorithm, illustrates how commands and bus operations are combined to perform electrical erasure of the MX28F1000P.

RESET COMMAND

A reset command is provided as a means to safely abort the erase- or program-command sequences. Following either set-up command (erase or program) with two consecutive writes of FFH will safely abort the operation. Memory contents will not be altered. Should program-fail or erase-fail happen, two consecutive writes of FFH will reset the device to abort the operation. A valid command must then be written to place the device in the desired state.

WRITE OPERATON STATUS

TOGGLE BIT-DQ6

The MX28F1000P features a "Toggle Bit" as a method to indicate to the host sytem that the Auto Program/ Erase algorithms are either in progress or completed.

While the Automatic Program or Erase algorithm is in progress, successive attempts to read data from the device will result in DQ6 toggling between one and zero. Once the Automatic Program or Erase algorithm is completed, DQ6 will stop toggling and valid data will be read. The toggle bit is valid after the rising edge of the second WE pulse of the two write pulse sequences.

DATA POLLING-DQ7

The MX28F1000P also features Data Polling as a method to indicate to the host system that the Automatic Program or Erase algorithms are either in progress or completed.

While the Automatic Programming algorithm is in operation, an attempt to read the device will produce the complement data of the data last written to DQ7. Upon completion of the Automatic Program algorithm an attempt to read the device will produce the true data last written to DQ7. The Data Polling feature is valid after the rising edge of the second WE pulse of the two write pulse sequences.

While the Automatic Erase algorithm is in operation, DQ7 will read "0" until the erase operation is completed. Upon completion of the erase operation, the data on DQ7 will read "1". The Data Polling feature is valid after the rising edge of the second WE pulse of two write pulse sequences.

The Data Polling feature is active during Automatic Program/Erase algorithms.

POWER-UP SEQUENCE

The MX28F1000P powers up in the Read only mode. In addition, the memory contents may only be altered after successful completion of a two-step command sequence. Power up sequence is not required.

SYSTEM CONSIDERATIONS

During the switch between active and standby conditions, transient current peaks are produced on the rising and falling edges of Chip Enable. The magnitude of these transient current peaks is dependent on the output capacitance loading of the device. At a minimum, a 0.1uF ceramic capacitor (high frequency, low inherent inductance) should be used on each device between VCC and GND, and between VPP and GND to minimize transient effects. In addition, to overcome the voltage drop caused by the inductive effects of the printed circuit board traces on FLASH memory arrays, a 4.7uF bulk electrolytic capacitor should be used between VCC and GND for each eight devices. The location of the capacitor should be close to where the power supply is connected to the array.

ABSOLUTE MAXIMUM RATINGS

RATING	VALUE
Ambient Operating Temperature	-40°C to 85°C
Storage Temperature	-65°C to 125°C
Applied Input Voltage	-0.5V to 7.0V
Applied Output Voltage	-0.5V to 7.0V
VCC to Ground Potential	-0.5V to 7.0V
A9 & VPP	-0.5V to 13.5V

NOTICE:

Stresses greater than those listed under ABSOLUTE MAXIMUM RATINGS may cause permanent damage to the device. This is stress rating only and functional operational sections of this specification is not implied. Exposure to absolute maximum rating conditions for extended period may affect reliability.

NOTICE:

Specifications contained within the following tables are subject to change.

CAPACITANCE TA = 25°C, f = 1.0 MHz

SYMBOL	PARAMETER	MIN.	TYP	MAX.	UNIT	CONDITIONS
CIN	Input Capacitance			14	pF	VIN = 0V
COUT	Output Capacitance			16	pF	VOUT = 0V

READ OPERATION

DC CHARACTERISTICS

SYMBOL	PARAMETER	MIN.	TYP	MAX.	UNIT	CONDITIONS
ILI	Input Leakage Current			10	uA	VIN = GND to VCC
ILO	Output Leakage Current			10	uA	VOUT = GND to VCC
IPP1	VPP Current		1	100	uA	VPP = 5.5V
ISB1	Standby VCC current			1	mA	$\overline{CE} = VIH$
ISB2			1	100	uA	$\overline{CE} = VCC + 0.3V$
ICC1	Operating VCC current			30(NOTE4)	mA	IOUT = 0mA, f=1MHz
ICC2				50	mA	IOUT = 0mA, f=11MHz
VIL	Input Low Voltage	-0.3(NOTE 1)		0.8	V	
VIH	Input High Voltage	2.4		VCC + 0.3	V	
VOL	Output Low Voltage			0.45	V	IOL = 2.1mA
VOH	Output High Voltage	2.4			V	IOH = -400uA

NOTES:

- VIL min. = -1.0V for pulse width ≤ 50 ns.
VIL min. = -2.0V for pulse width ≤ 20 ns.
- VIH max. = VCC + 1.5V for pulse width ≤ 20 ns
If VIH is over the specified maximum value, read operation cannot be guaranteed.
- Test condition:
TA = -40°C to 85°C, Vcc = 5V \pm 10%, Vpp = GND to Vcc, CL = 100pF(for MX28F1000P-90/12)
TA = -40°C to 85°C, Vcc = 5V \pm 10%, Vpp = GND to Vcc, CL = 35pF(for MX28F1000P-70)
- ICC1=35mA for TA=-40°C to 85°C

AC CHARACTERISTICS

SYMBOL	PARAMETER	28F1000P-70		28F1000P-90		28F1000P-12		UNIT	CONDITIONS
		MIN.	MAX.	MIN.	MAX.	MIN.	MAX.		
tACC	Address to Output Delay		70		90		120	ns	$\overline{CE}=\overline{OE}=\text{VIL}$
tCE	\overline{CE} to Output Delay		70		90		120	ns	$\overline{OE}=\text{VIL}$
tOE	\overline{OE} to Output Delay		30		35		50	ns	$\overline{CE}=\text{VIL}$
tDF	\overline{OE} High to Output Float (Note1)	0	15	0	20	0	30	ns	$\overline{CE}=\text{VIL}$
tOH	Address to Output hold	0	0	0	0	0	0	ns	$\overline{CE}=\overline{OE}=\text{VIL}$

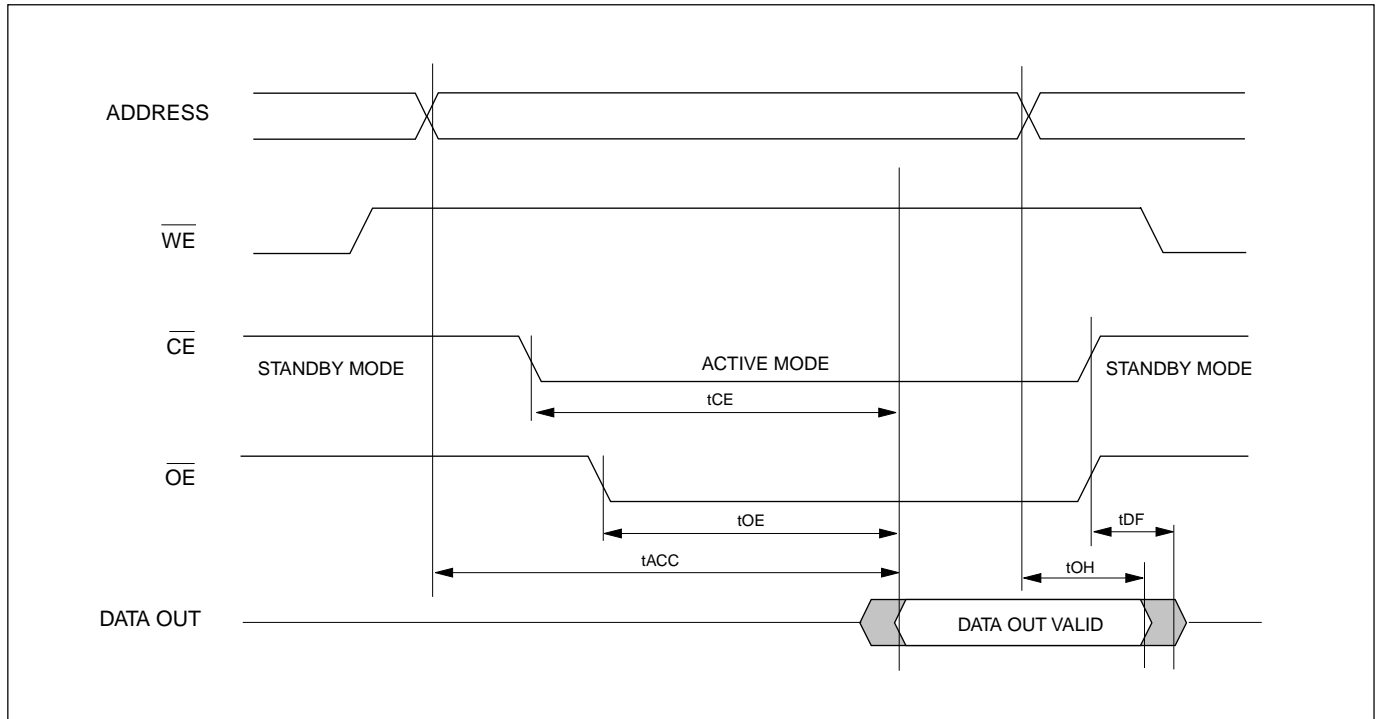
TEST CONDITIONS:

- Input pulse levels: 0.45V/2.4V
- Input rise and fall times: $\leq 10\text{ns}$
- Reference levels for measuring timing: 0.8V, 2.0V
- 28F1000P-70: $V_{CC} = 5V \pm 5\%$, CL: 1TTL gate + 35pF(including scope and jig)
- 28F1000P-90: $V_{CC} = 5V \pm 5\%$, CL: 1TTL gate + 35pF(including scope and jig)
- $V_{pp} = \text{GND to } V_{CC}$

NOTE:

1. tDF is defined as the time at which the output achieves the open circuit condition and data is no longer driven.

READ TIMING WAVEFORMS



**COMMAND PROGRAMMING/DATA PROGRAMMING/ERASE OPERATION
DC CHARACTERISTICS**

SYMBOL	PARAMETER	MIN.	TYP	MAX.	UNIT	CONDITIONS
ILI	Input Leakage Current			10	uA	VIN=GND to VCC
ILO	Output Leakage Current			10	uA	VOU=GND to VCC
ISB1	Standby VCC current			1	mA	$\overline{CE}=VIH$
ISB2			1	100	uA	$\overline{CE}=VCC \pm 0.3V$
ICC1 (Read)	Operating VCC Current			30	mA	IOUT=0mA, f=1MHz
ICC2				50	mA	IOUT=0mA, F=11MHz
ICC3 (Program)				50	mA	In Programming
ICC4 (Erase)				50	mA	In Erase
ICC5 (Program Verify)				50	mA	In Program Verify
ICC6 (Erase Verify)				50	mA	In Erase Verify
IPP1 (Read)	VPP Current			100	uA	VPP=12.6V
IPP2 (Program)				50	mA	In Programming
IPP3 (Erase)				50	mA	In Erase
IPP4 (Program Verify)				50	mA	In Program Verify
IPP5 (Erase Verify)				50	mA	In Erase Verify
VIL	Input Voltage	-0.3 (Note 5)		0.8	V	
VIH		2.4		VCC+0.3V (Note 6)	V	
VOL	Output Voltage			0.45	V	IOL=2.1mA
VOH		2.4			V	IOH=-400uA

NOTES:

- VCC must be applied before VPP and removed after VPP.
- VPP must not exceed 14V including overshoot.
- An influence may be had upon device reliability if the device is installed or removed while VPP=12V.
- Do not alter VPP either VIL to 12V or 12V to VIL when $\overline{CE}=VIL$.
- VIL min. = -0.6V for pulse width $\leq 20ns$.
- If VIH is over the specified maximum value, programming operation cannot be guaranteed.
- All currents are in RMS unless otherwise noted. (Sampled, not 100% tested.)
- For 28F1000P-70, Vcc = 5V $\pm 5\%$, CL = 35pF; for 28F1000P-90/12, Vcc = 5V $\pm 10\%$, CL = 100pF.



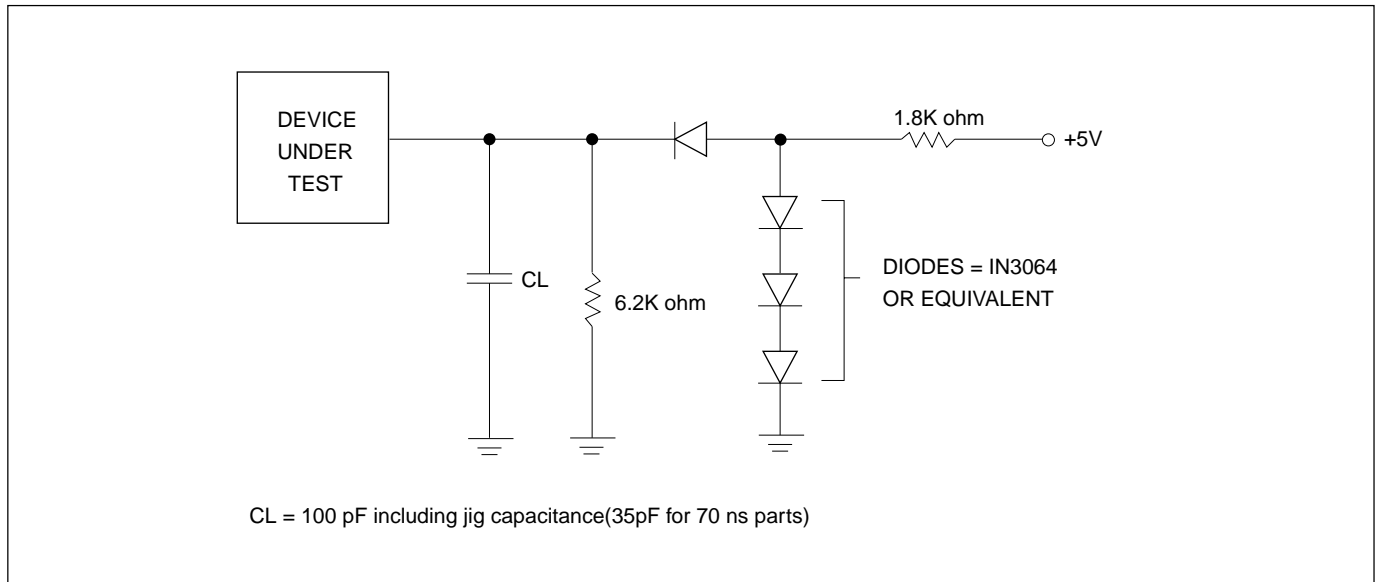
AC CHARACTERISTICS TA = -40°C to 85°C, VCC = 5V ± 10%, VPP = 12V ± 5%

SYMBOL	PARAMETER	28F1000-70		28F1000P-90		28F1000P-12		UNIT	CONTIONS
		MIN.	MAX.	MIN.	MAX.	MIN.	MAX.		
tVPS	VPP setup time	100		100		100		ns	
tOES	\overline{OE} setup time	100		100		100		ns	
tCWC	Command programming cycle	70		90		120		ns	
tCEP	\overline{WE} programming pulse width	40		45		50		ns	
tCEPH1	\overline{WE} programming pluse width High	20		20		20		ns	
tCEPH2	\overline{WE} programming pluse width High	100		100		100		ns	
tAS	Address setup time	0		0		0		ns	
tAH	Address hold time	40		45		50		ns	
tAH1	Address hold time for \overline{DATA} POLLING	0		0		0		ns	
tDS	Data setup time	40		45		50		ns	
tDH	Data hold time	10		10		10		ns	
tCESP	\overline{CE} setup time before \overline{DATA} polling/toggle bit	100		100		100		ns	
tCES	\overline{CE} setup time	0		0		0		ns	
tCESC	\overline{CE} setup time before command write	100		100		100		ns	
tCESV	\overline{CE} setup time before verify	6		6		6		us	
tVPH	VPP hold time	100		100		100		ns	
tDF	Output disable time (Note 3)		15		20		30	ns	
tDPA	\overline{DATA} polling/toggle bit access time		70		90		120	ns	
tAETC	Total erase time in auto chip erase	5(TYP.)		5(TYP.)		5(TYP.)		s	
tAETB	Total erase time in auto block erase	5TYP.)		5(TYP.)		5(TYP.)		s	
tAVT	Total programming time in auto verify	15	300	15	300	15	300	us	
tBALC	Block address load cycle	0.3	30	0.3	30	0.3	30	us	
tBAL	Block address load time	200		200		200		us	
tCH	\overline{CE} Hold Time	0		0		0		ns	
tCS	\overline{CE} setup to \overline{WE} going low	0		0		0		ns	

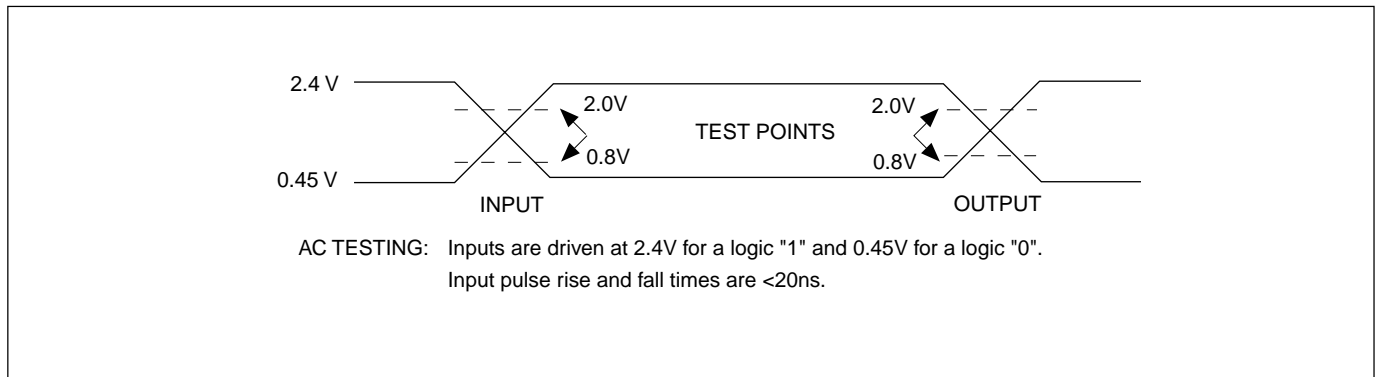
NOTES:

1. \overline{CE} and \overline{OE} must be fixed high during VPP transition from 5V to 12V or from 12V to 5V.
2. Refer to read operation when VPP=VCC about read operation while VPP 12V.
3. tDF defined as the time at which the output achieves the open circuit condition and data is no longer driven.

SWITCHING TEST CIRCUITS



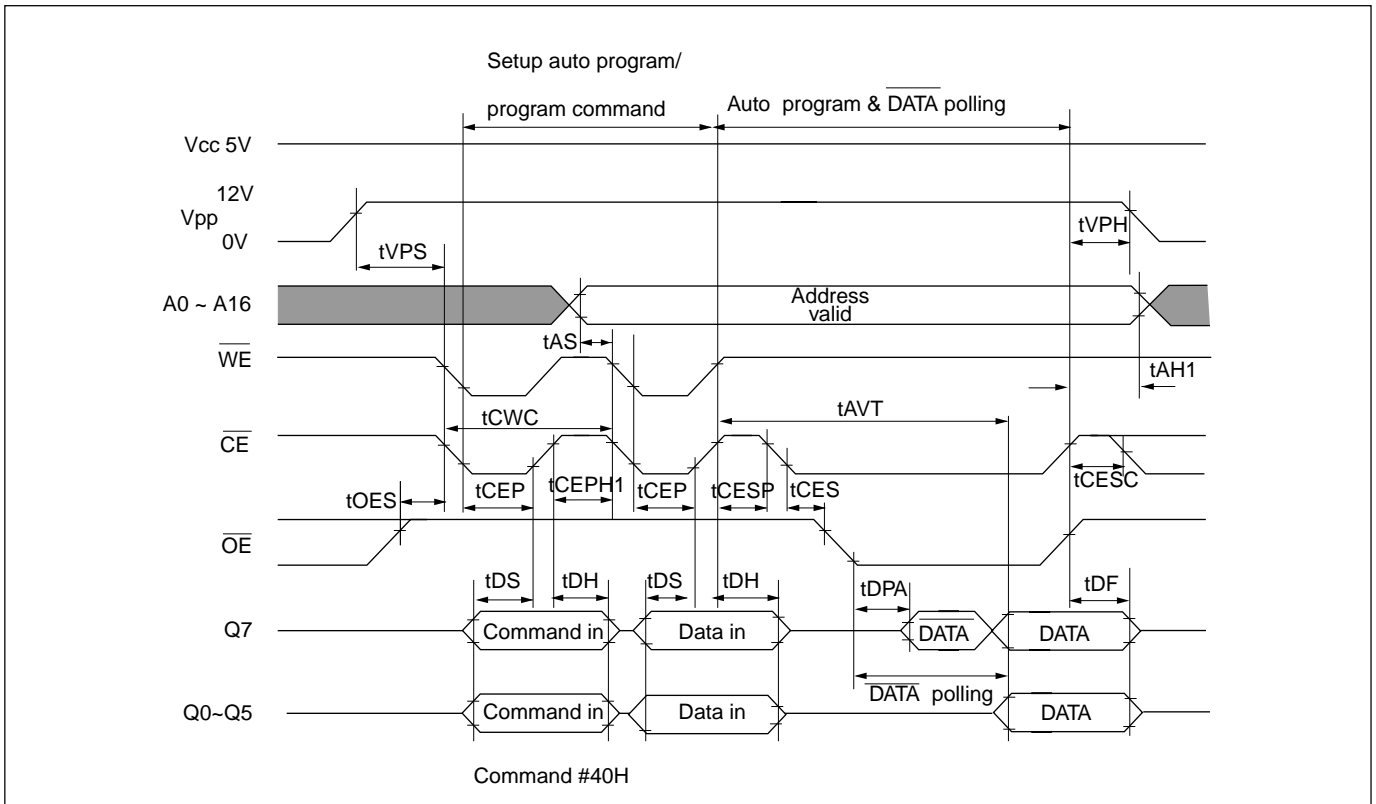
SWITCHING TEST WAVEFORMS



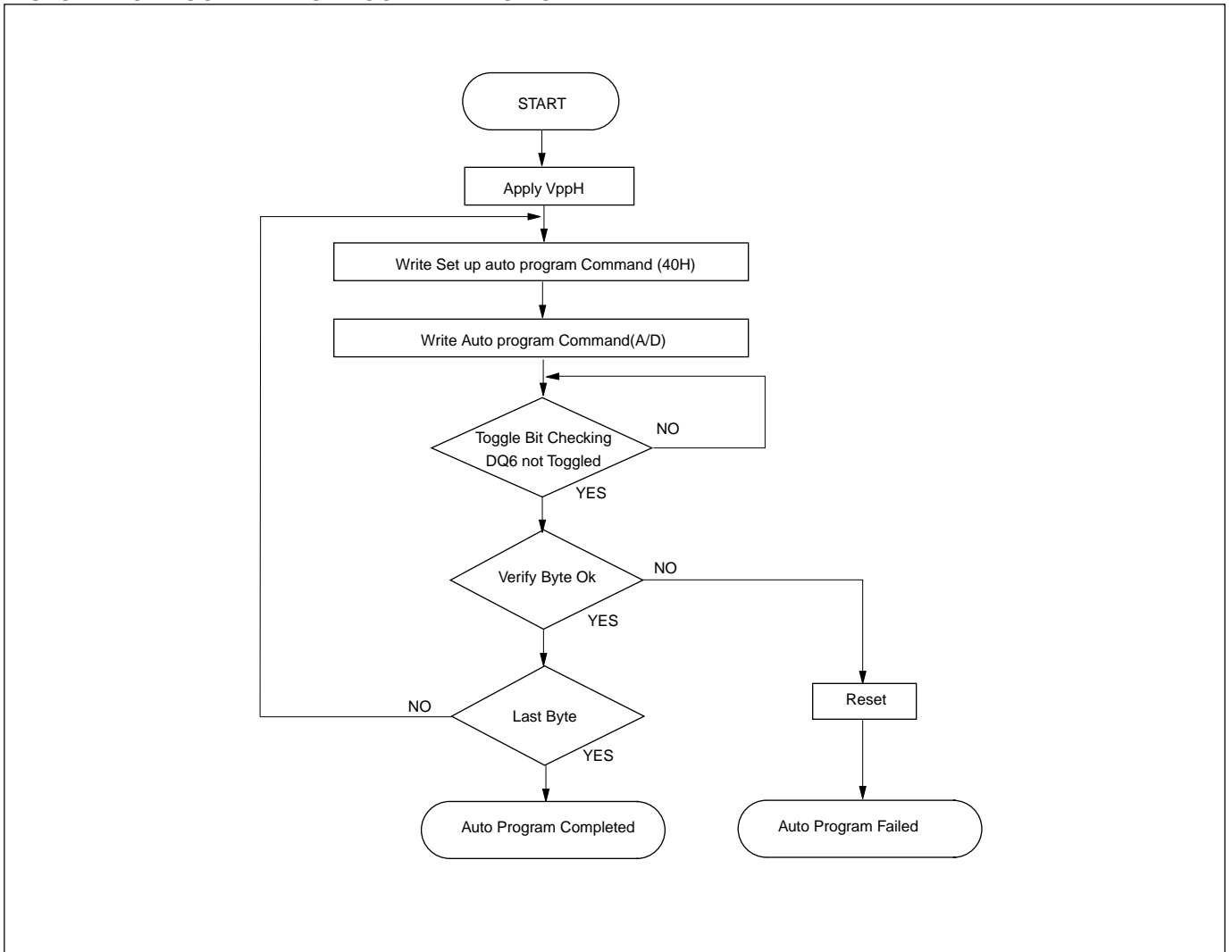
AUTOMATIC PROGRAMMING TIMING WAVEFORM

One byte data is programmed. Verify in fast algorithm and additional programming by external control are not required because these operations are executed automatically by internal control circuit. Programming completion can be verified by DATA polling and toggle bit

checking after automatic verify starts. Device outputs DATA during programming and DATA after programming on Q7. Q0 to Q5 (Q6 is for toggle bit; see toggle bit, DATA polling, timing waveform) are in high impedance.



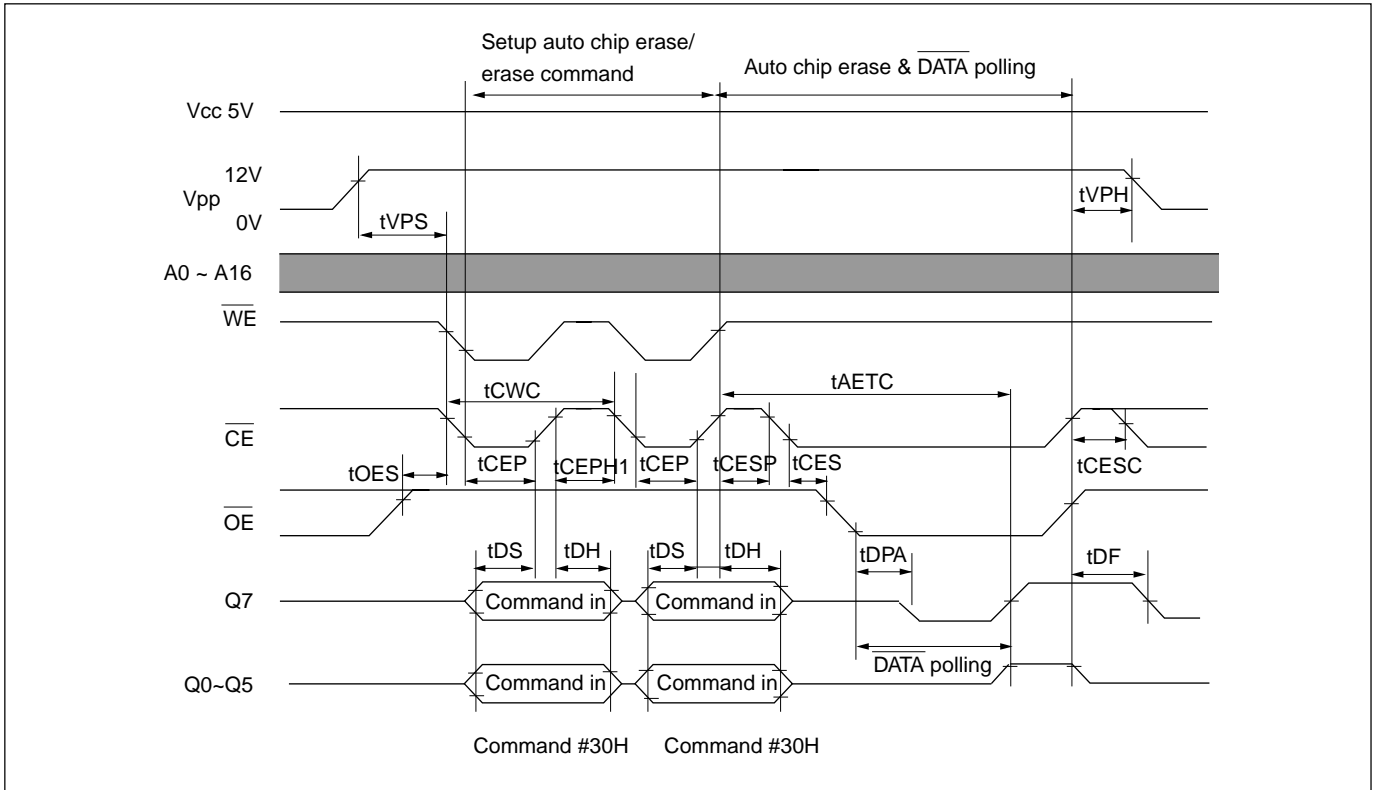
AUTOMATIC PROGRAMMING ALGORITHM FLOWCHART

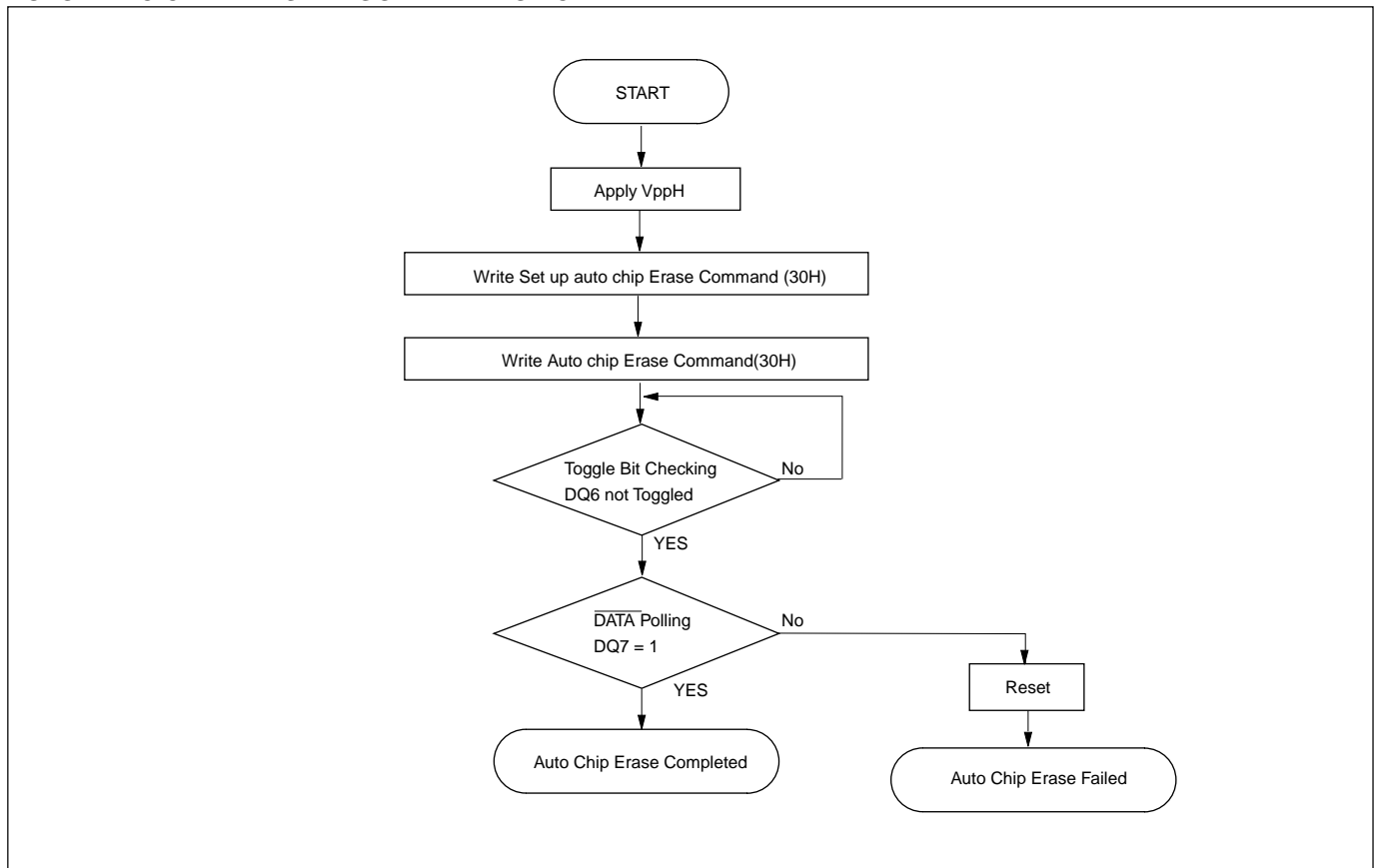


AUTOMATIC CHIP ERASE TIMING WAVEFORM

All data in chip are erased. External erase verify is not required because data is erased automatically by internal control circuit. Erasure completion can be verified by DATA polling and toggle bit checking after automatic

erase starts. Device outputs 0 during erasure and 1 after erasure on Q7. Q0 to Q5 (Q6 is for toggle bit; see toggle bit, DATA polling, timing waveform) are in high impedance.

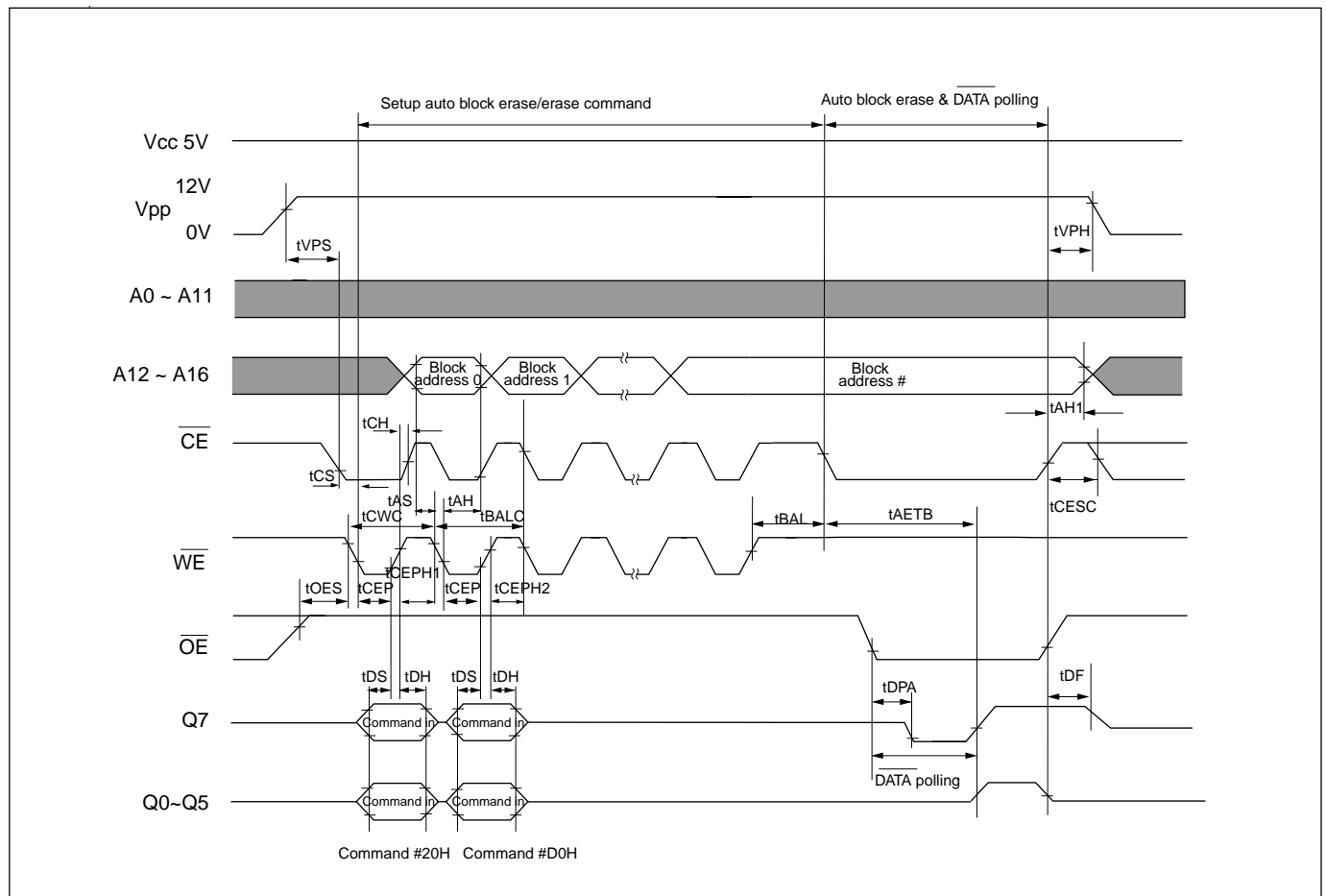


AUTOMATIC CHIP ERASE ALGORITHM FLOWCHART

AUTOMATIC BLOCK ERASE TIMING WAVEFORM

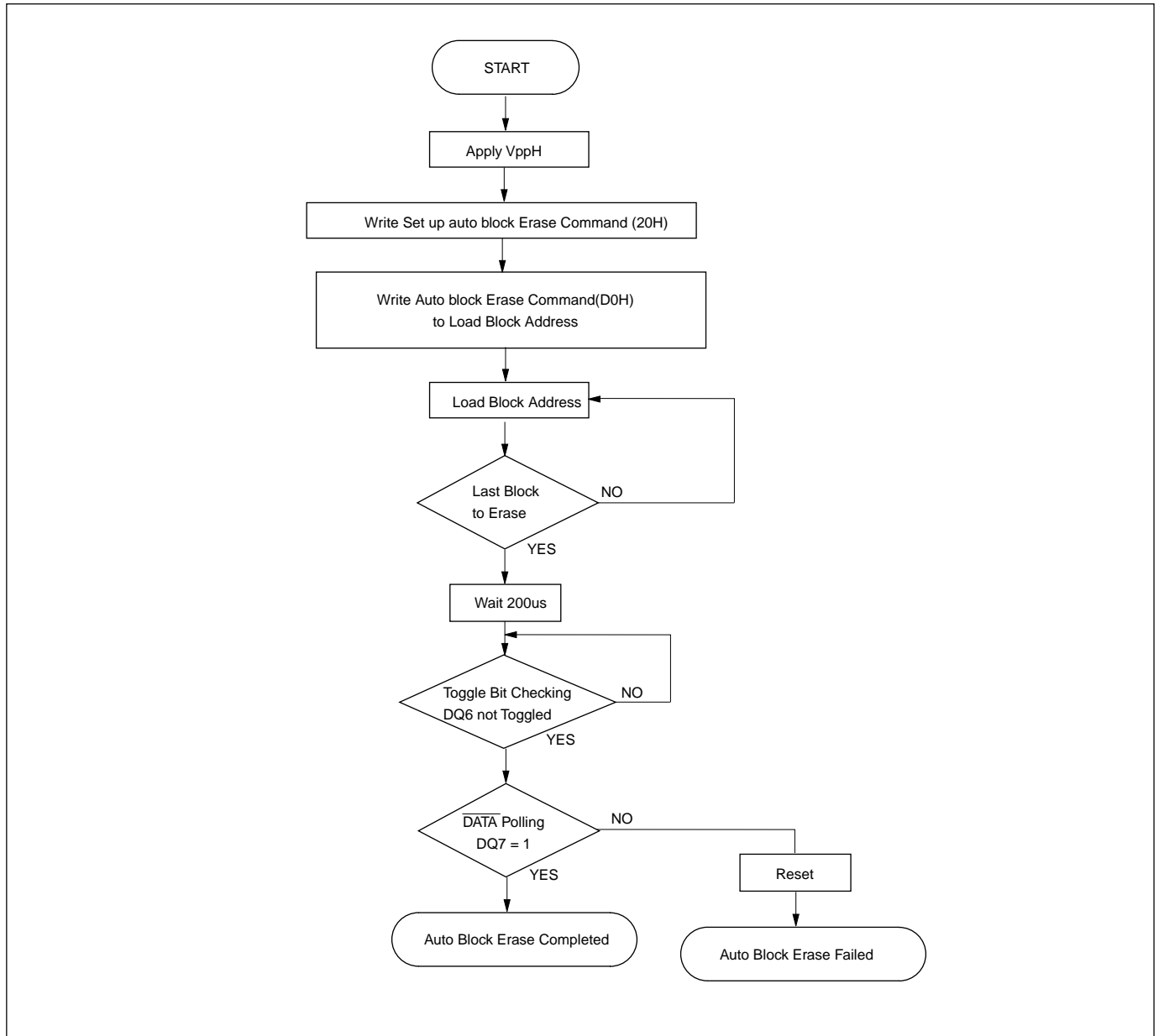
Block data indicated by A12 to A16 are erased. External erase verify is not required because data are erased automatically by internal control circuit. Erasure completion can be verified by DATA polling and toggle bit

checking after automatic erase starts. Device outputs 0 during erasure and 1 after erasure on Q7. Q0 to Q5 (Q6 is for toggle bit; see toggle bit, DATA polling, timing waveform) are in high impedance.



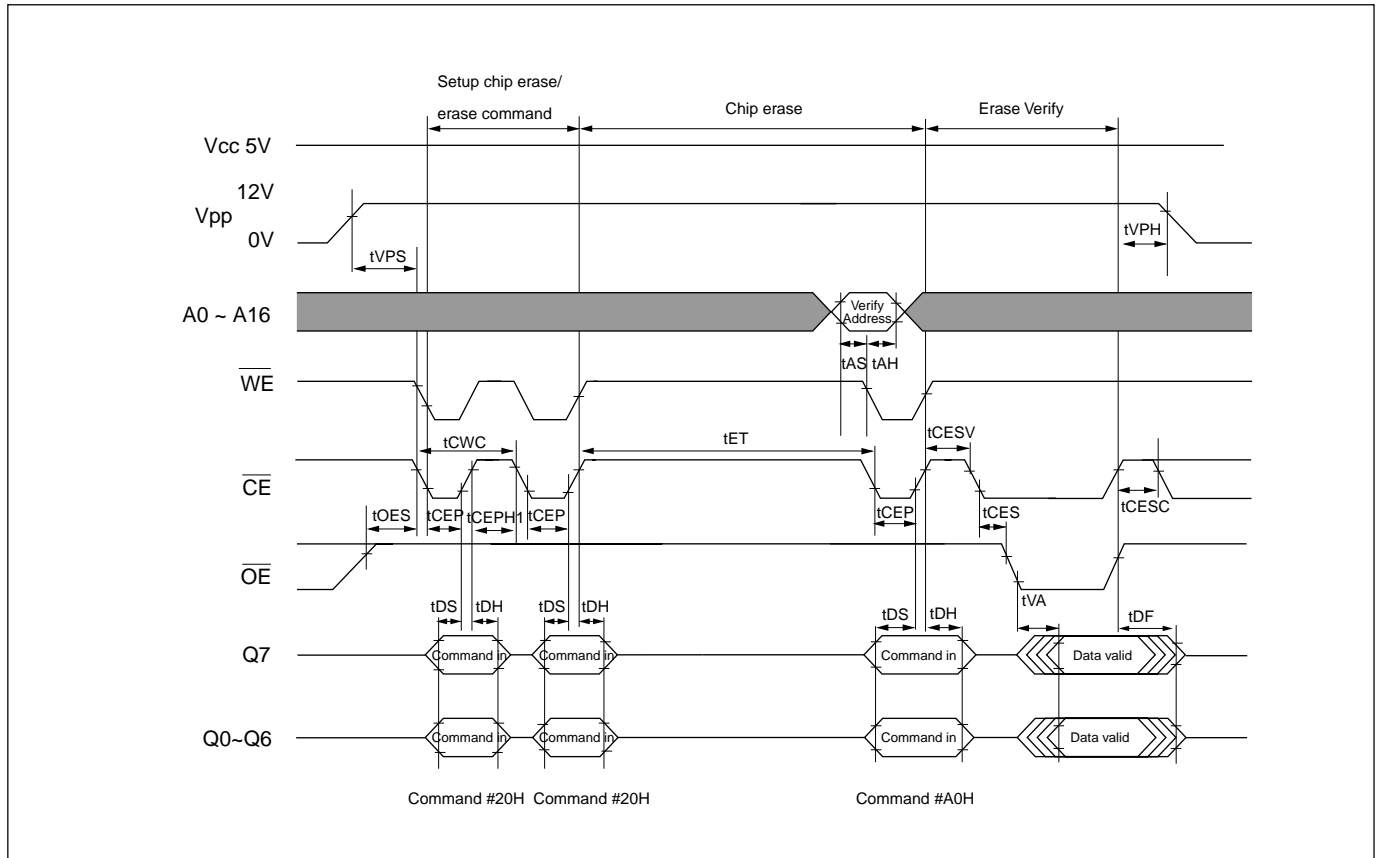
*Refer to page 2 for detailed block address.

AUTOMATIC BLOCK ERASE ALGORITHM FLOWCHART



COMPATIBLE CHIP ERASE TIMING WAVEFORM

All data in chip are erased. Control verification and additional erasure externally according to compatible chip erase flowchart.

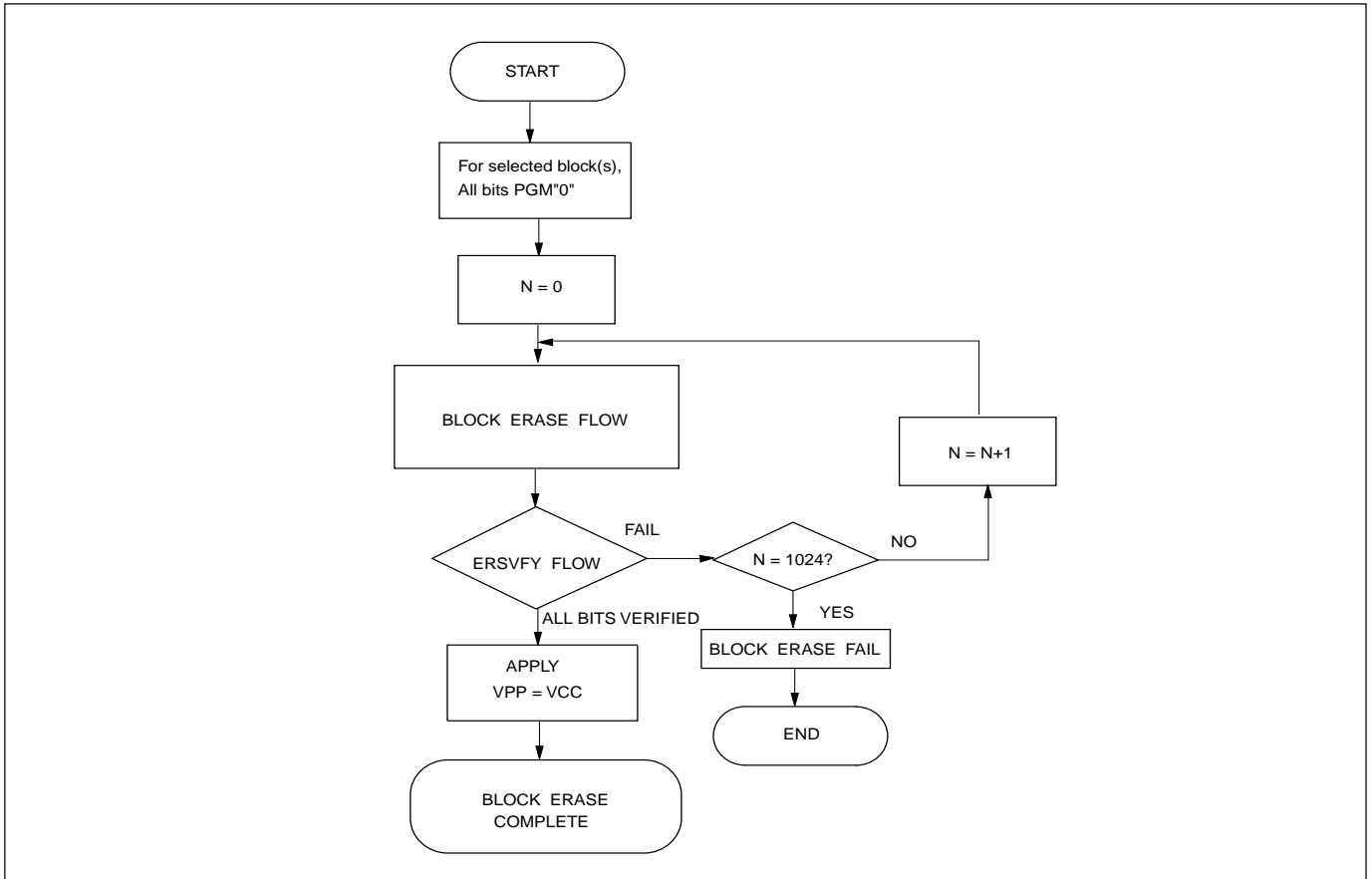


COMPATIBLE BLOCK ERASE

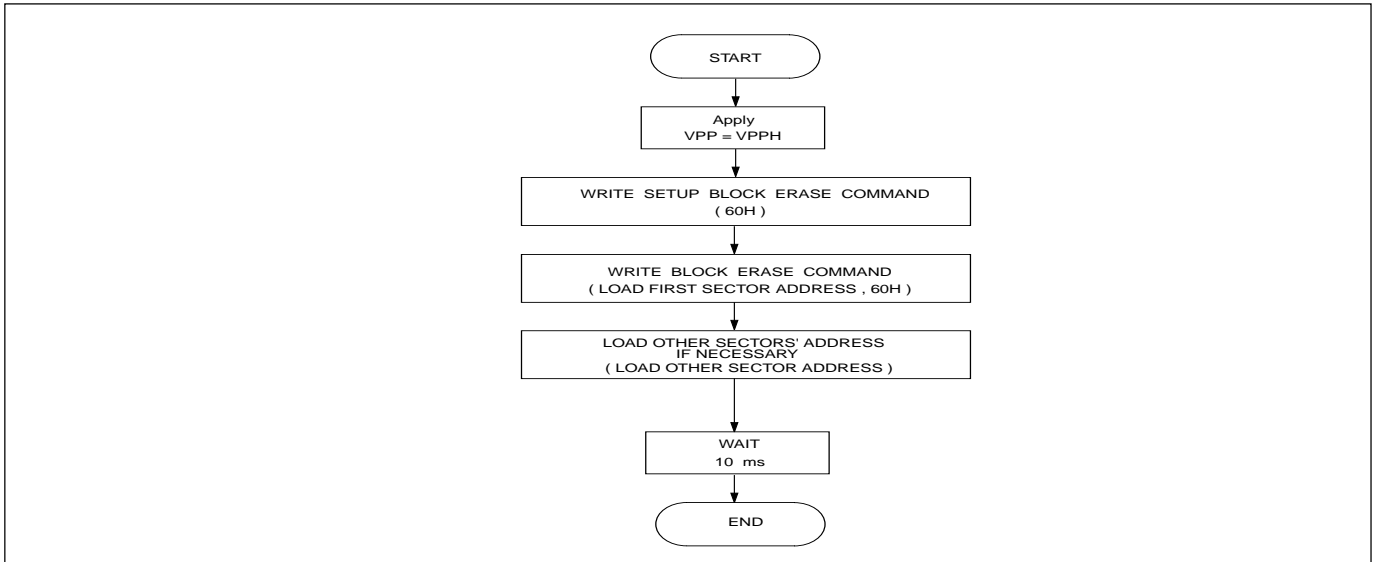
This device can be applied to the compatible block erase algorithm shown in the following flowchart. This algorithm allows to obtain faster erase time by the block (16K byte

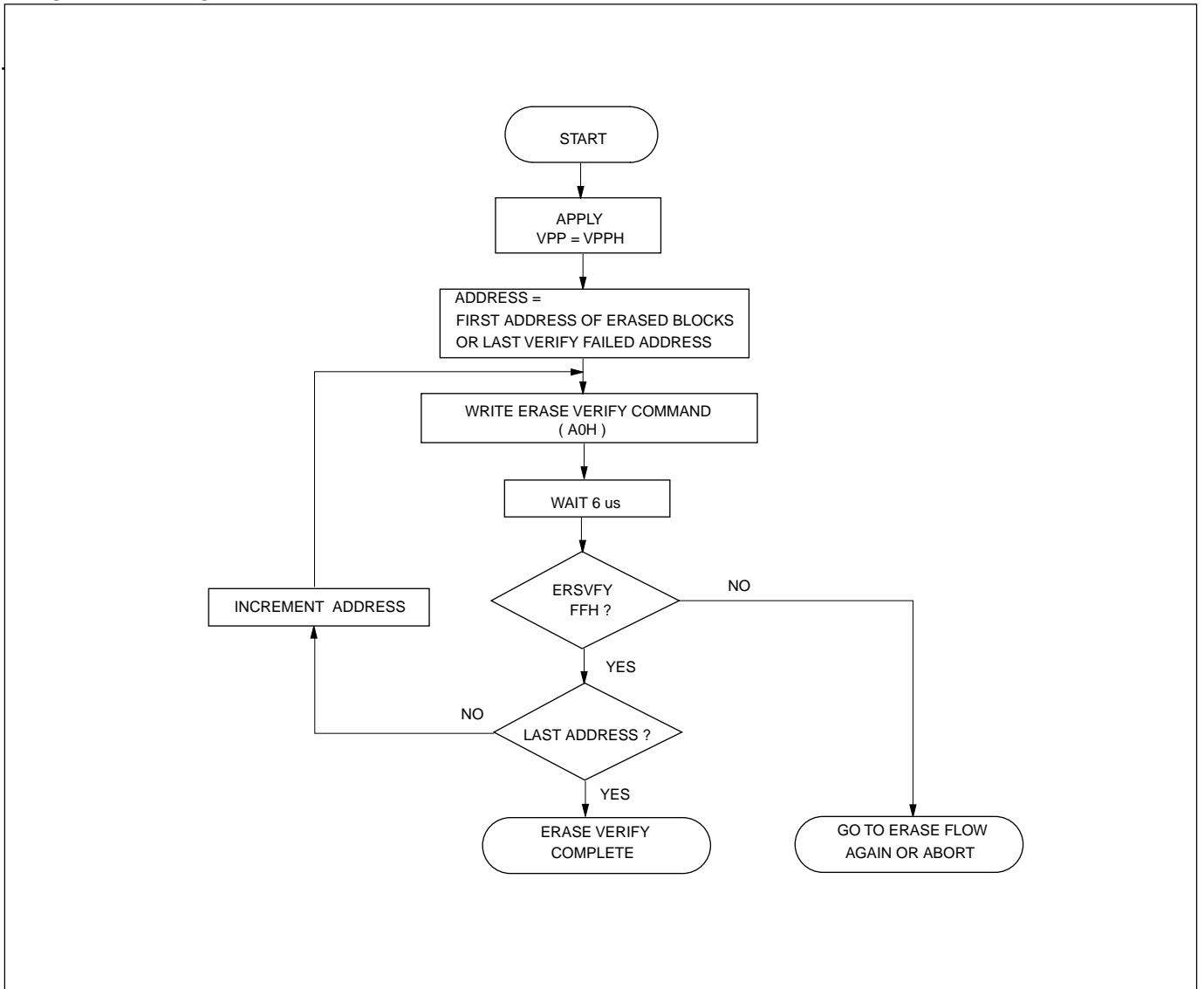
x 8 block) without any voltage stress to the device nor deterioration in reliability of data.

COMPATIBLE BLOCK ERASE FLOWCHART



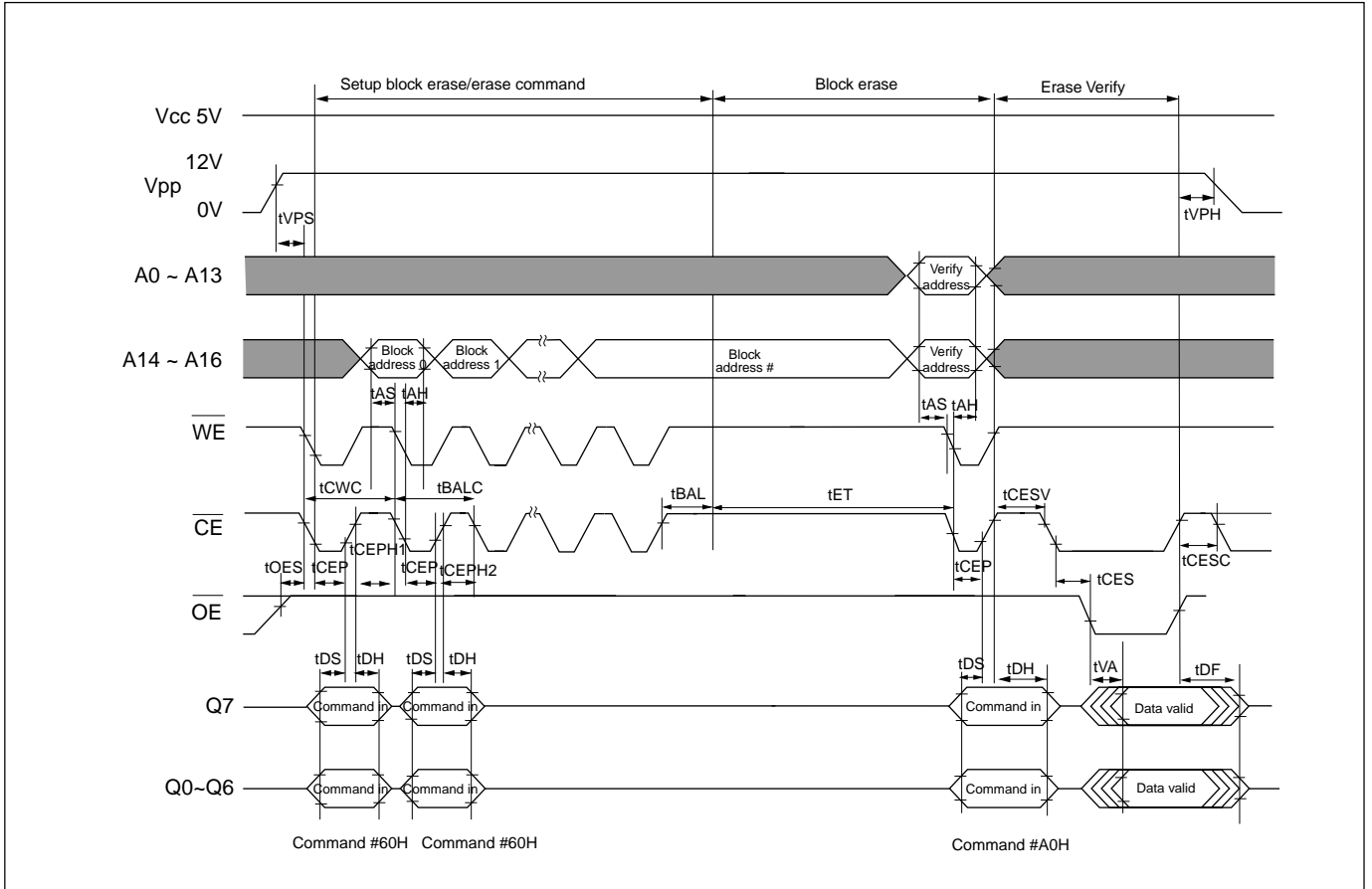
BLOCK ERASE FLOW



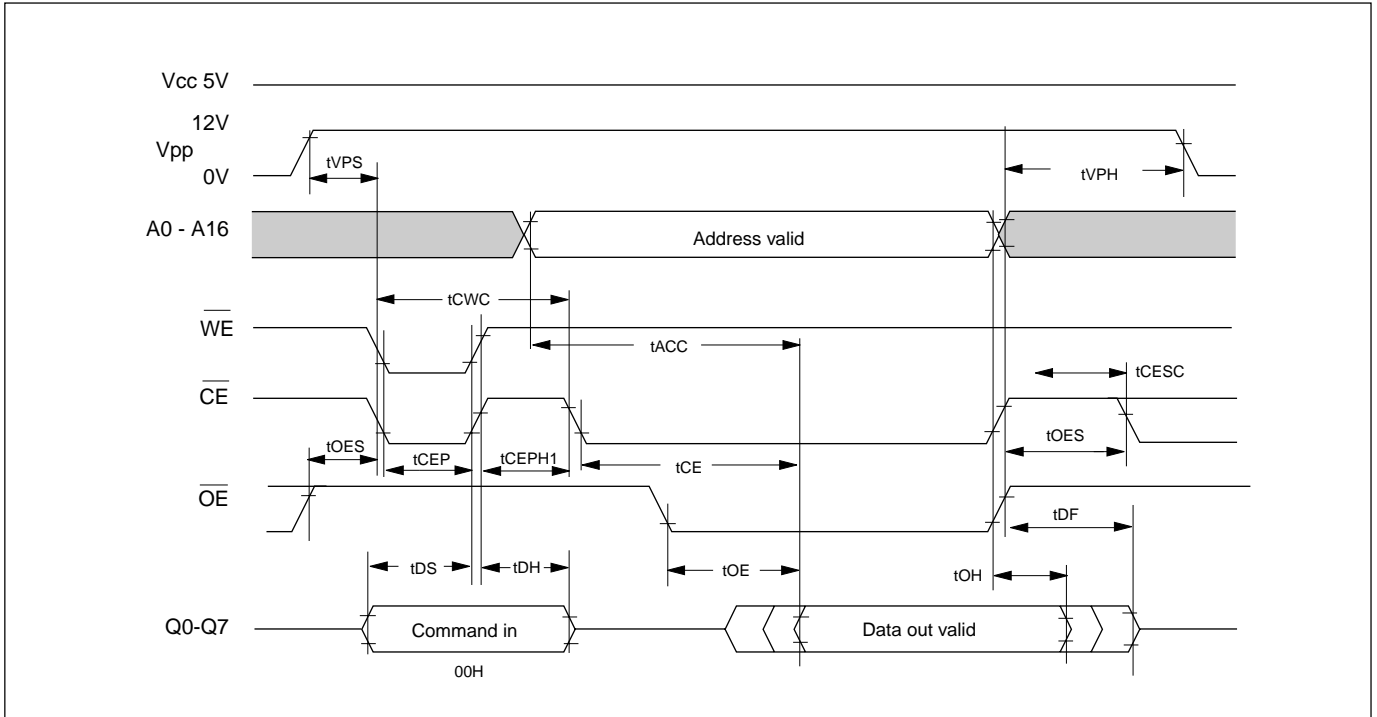
ERASE VERIFY FLOW

COMPATIBLE BLOCK ERASE TIMING WAVEFORM

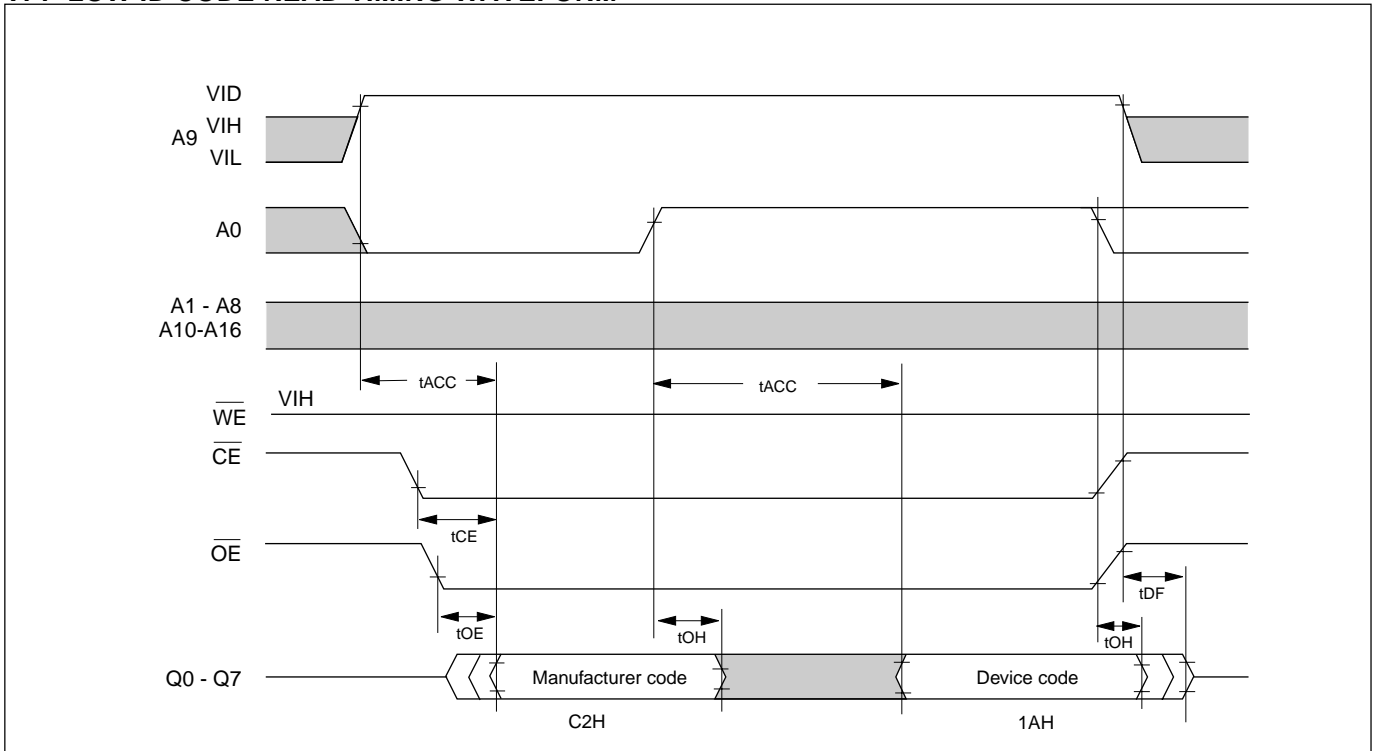
Indicated block data (16 Kbyte) are erased. Control verification and additional erasure externally according to compatible block erase flowchart.



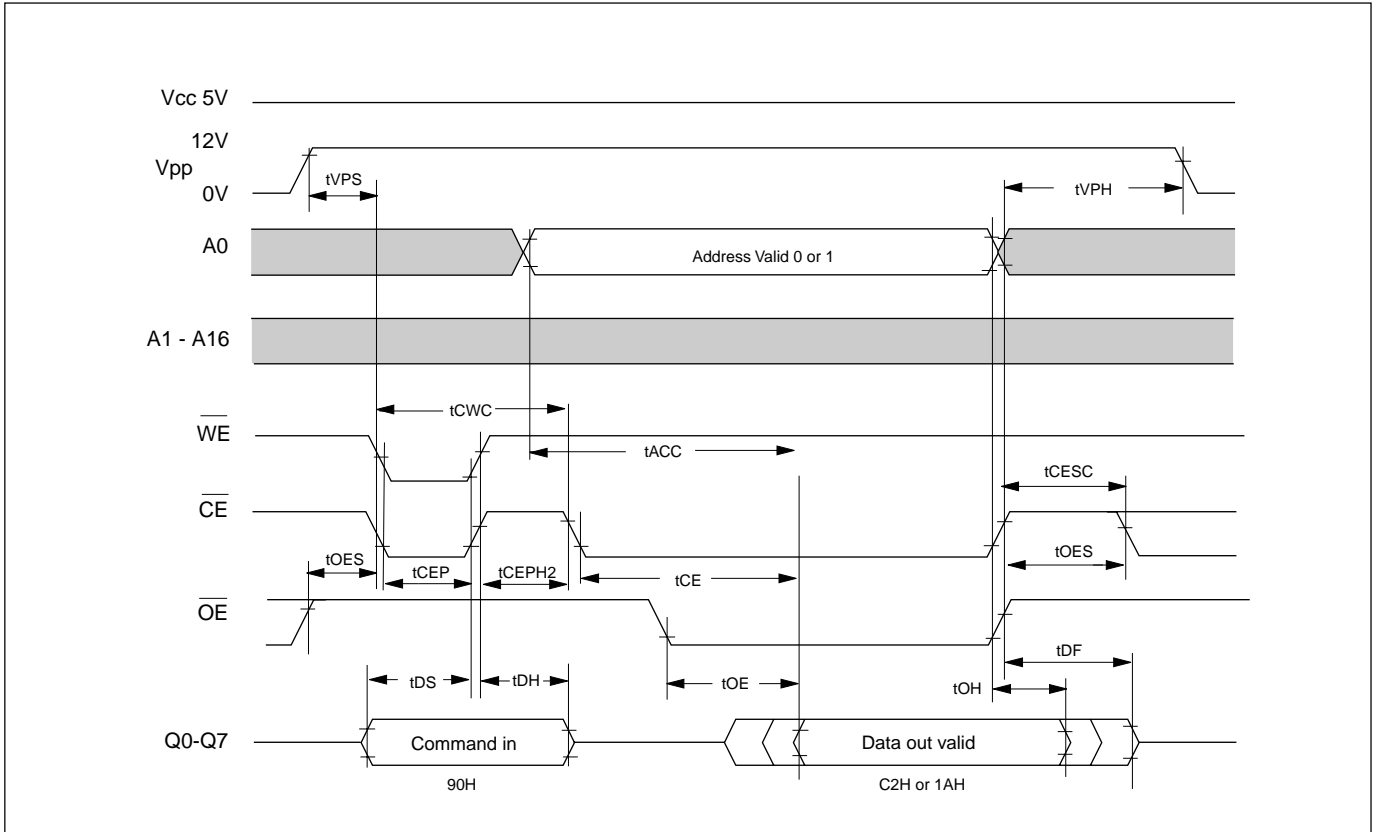
VPP HIGH READ TIMING WAVEFORM



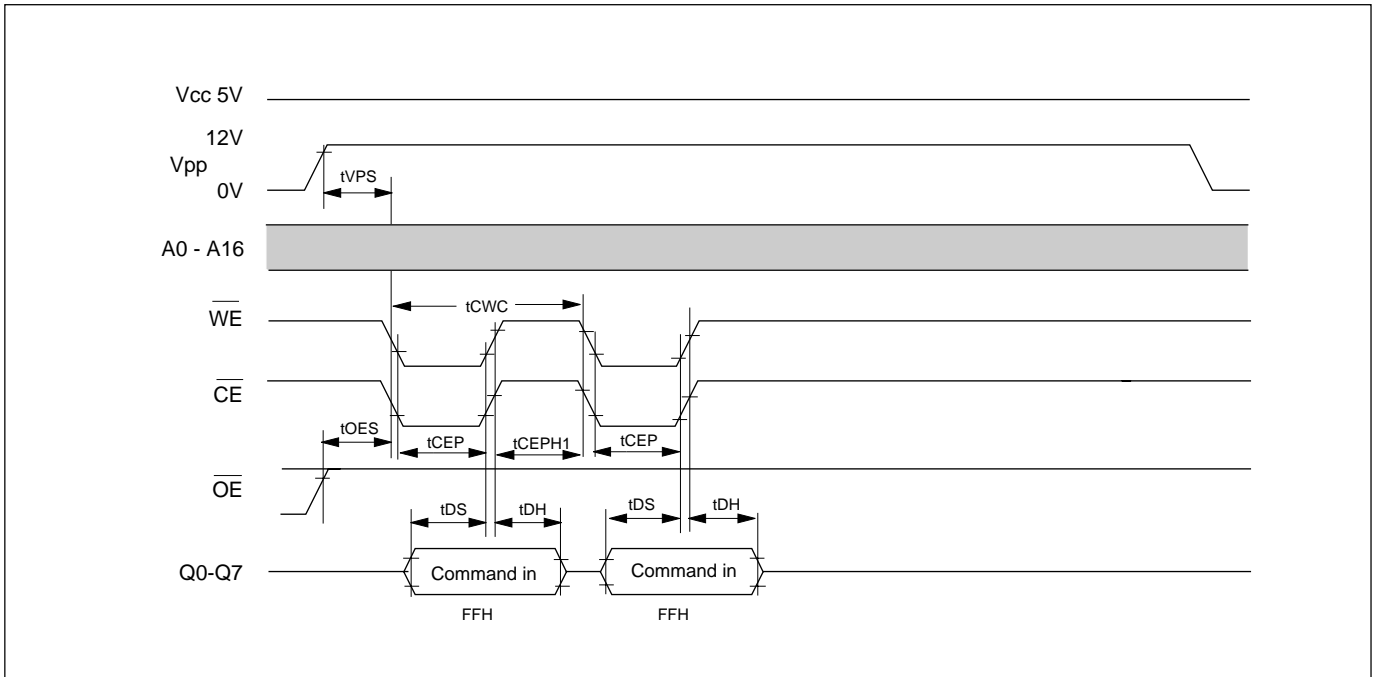
VPP LOW ID CODE READ TIMING WAVEFORM



VPP HIGH ID CODE READ TIMING WAVEFORM

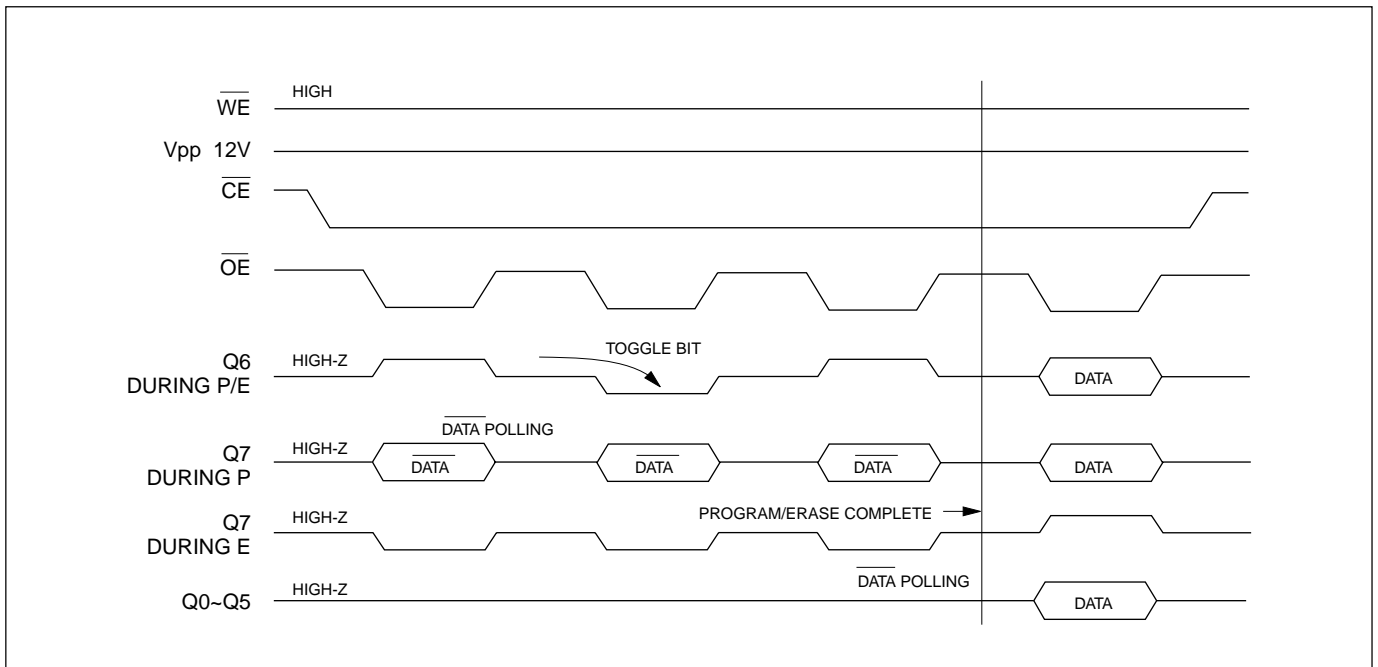


RESET TIMING WAVEFORM



TOGGLE BIT, $\overline{\text{DATA}}$ POLLING TIMING WAVEFORM

Toggle bit appears in Q6, when program/erase is operating. $\overline{\text{DATA}}$ polling appears in Q7 during programming or erase.



ERASE AND PROGRAMMING PERFORMANCE

PARAMETER	LIMITS			UNITS
	MIN.	TYP.	MAX.	
Chip/Sector Erase Time		1.5	20	sec
Chip Programming Time		2	13.8	sec
Erase/Program Cycles	10,000			cycles
Byte Program Time		15	642	us



ORDERING INFORMATION PLASTIC PACKAGE

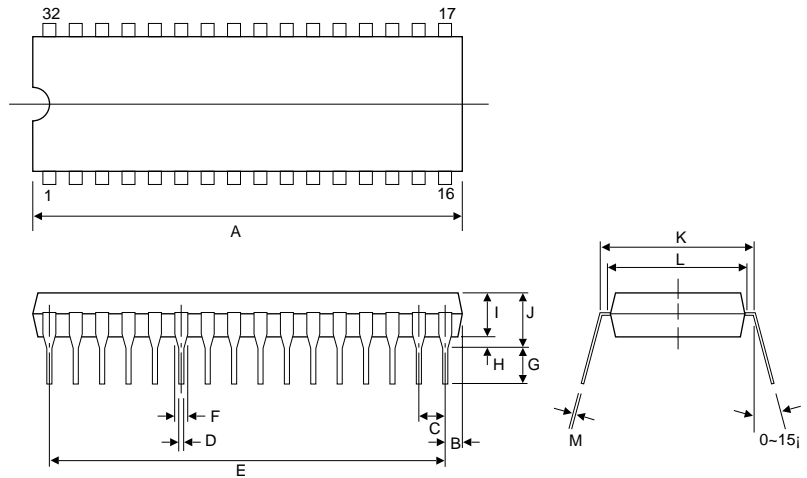
PART NO.	ACCESS TIME (ns)	OPERATING CURRENT MAX.(mA)	STANDBY CURRENT MAX.(uA)	PACKAGE	ERASE/PROGRAM CYCLE MIN.(time)
MX28F1000PPC-70C4	70	50	100	32 Pin DIP	10,000
MX28F1000PPC-90C4	90	50	100	32 Pin DIP	10,000
MX28F1000PPC-12C4	120	50	100	32 Pin DIP	10,000
MX28F1000PQC-70C4	70	50	100	32 Pin PLCC	10,000
MX28F1000PQC-90C4	90	50	100	32 Pin PLCC	10,000
MX28F1000PQC-12C4	120	50	100	32 Pin PLCC	10,000
MX28F1000PTC-70C4	70	50	100	32 Pin TSOP (Normal Type)	10,000
MX28F1000PTC-90C4	90	50	100	32 Pin TSOP (Normal Type)	10,000
MX28F1000PTC-12C4	120	50	100	32 Pin TSOP (Normal Type)	10,000
MX28F1000PRC-70C4	70	50	100	32 Pin TSOP (Reverse Type)	10,000
MX28F1000PRC-90C4	90	50	100	32 Pin TSOP (Reverse Type)	10,000
MX28F1000PRC-12C4	120	50	100	32 Pin TSOP (Reverse Type)	10,000
MX28F1000PPI-70	70	50	100	32 Pin DIP	10,000
MX28F1000PPI-90	90	50	100	32 Pin DIP	10,000
MX28F1000PPI-12	120	50	100	32 Pin DIP	10,000
MX28F1000PQI-70	70	50	100	32 Pin PLCC	10,000
MX28F1000PQI-90	90	50	100	32 Pin PLCC	10,000
MX28F1000PQI-12	120	50	100	32 Pin PLCC	10,000
MX28F1000PTI-70	70	50	100	32 Pin TSOP (Normal Type)	10,000
MX28F1000PTI-90	90	50	100	32 Pin TSOP (Normal Type)	10,000
MX28F1000PTI-12	120	50	100	32 Pin TSOP (Normal Type)	10,000
MX28F1000PRI-70	70	50	100	32 Pin TSOP (Reverse Type)	10,000
MX28F1000PRI-90	90	50	100	32 Pin TSOP (Reverse Type)	10,000
MX28F1000PRI-12	120	50	100	32 Pin TSOP (Reverse Type)	10,000

PACKAGE INFORMATION

32-PIN PLASTIC DIP

ITEM	MILLIMETERS	INCHES
A	42.13 max.	1.660 max.
B	1.90 [REF]	.075 [REF]
C	2.54 [TP]	.100 [TP]
D	.46 [Typ.]	.050 [Typ.]
E	38.07	1.500
F	1.27 [Typ.]	.050 [Typ.]
G	3.30 ± .25	.130 ± .010
H	.51 [REF]	.020 [REF]
I	3.94 ± .25	1.55 ± .010
J	5.33 max.	.210 max.
K	15.22 ± .25	.600 ± .101
L	13.97 ± .25	.550 ± .010
M	.25 [Typ.]	.010 [Typ.]

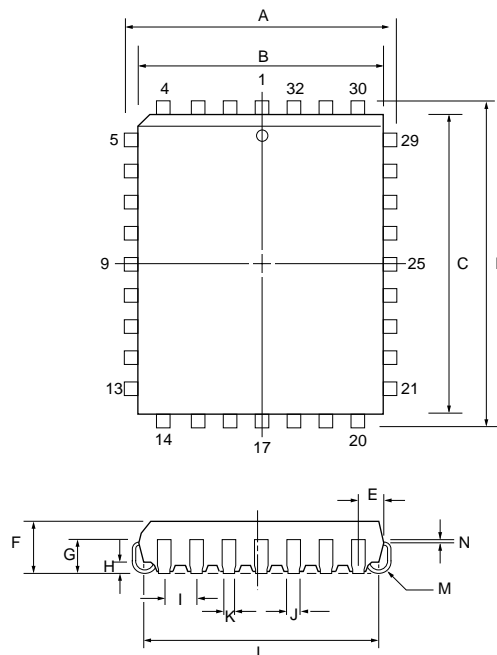
NOTE: Each lead centerline is located within .25mm [.01 inch] of its true position [TP] at a maximum at maximum material condition.



32-PIN PLASTIC LEADED CHIP CARRIER (PLCC)

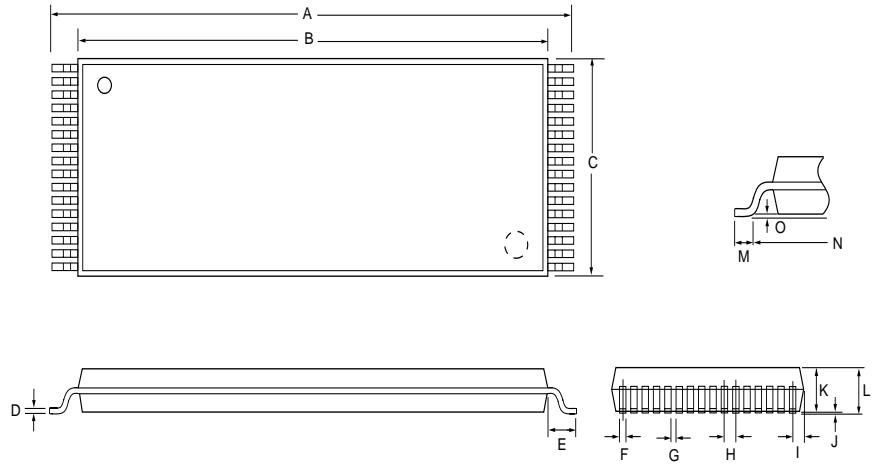
ITEM	MILLIMETERS	INCHES
A	12.44 ± .13	.490 ± .005
B	11.50 ± .13	.453 ± .005
C	14.04 ± .13	.553 ± .005
D	14.98 ± .13	.590 ± .005
E	1.93	.076
F	3.30 ± .25	.130 ± .010
G	2.03 ± .13	.080 ± .005
H	.51 ± .13	.020 ± .005
I	1.27 [Typ.]	.050 [Typ.]
J	.71 [REF]	.028 [REF]
K	.46 [REF]	.018 [REF]
L	10.40/12.94	.410/.510
	(W) (L)	(W) (L)
M	.89R	.035R
N	.25 [Typ.]	.010 [Typ.]

NOTE: Each lead centerline is located within .25mm [.01 inch] of its true position [TP] at a maximum at maximum material condition.



32-PIN PLASTIC TSOP

ITEM	MILLIMETERS	INCHES
A	20.0 ± .20	.078 ± .006
B	18.40 ± .10	.724 ± .004
C	8.20 max.	.323 max.
D	0.15 [Typ.]	.006 [Typ.]
E	.80 [Typ.]	.031 [Typ.]
F	.20 ± .10	.008 ± .004
G	.30 ± .10	.012 ± .004
H	.50 [Typ.]	.020 [Typ.]
I	.45 max.	.018 max.
J	0 ~ .20	0 ~ .008
K	1.00 ± .10	.039 ± .004
L	1.27 max.	.050 max.
M	.50	.020
N	0 ~ 5°	.500



NOTE: Each lead centerline is located within .25mm [.01 inch] of its true position [TP] at a maximum at maximum material condition.



Note. Revision History

Revision #	Description	Page	Date
1.4	Fast access time 150ns and 1,000 times erase cycles removed. Tsop pin configuration diagram rotated 180°. The flow chart of block erase corrected.		
1.5	Fast access time 70ns added.		Dec/26/1996
1.6	1)Absolute max. ratings:TA=-40°C to 85°C 2)DC Characteristics:ICC1=35mA for TA=-40°C to 85°C 3)AC Characteristics:TA=-40°C to 85°C 4)Order Informance:Add Industrial Grade 5)Erase & Programming Performance:New in Creased table	P11 P14 P29	JAN/19/1999



MACRONIX INTERNATIONAL Co., LTD.

HEADQUARTERS:

TEL:+886-3-578-8888

FAX:+886-3-578-8887

EUROPE OFFICE:

TEL:+32-2-456-8020

FAX:+32-2-456-8021

JAPAN OFFICE:

TEL:+81-44-246-9100

FAX:+81-44-246-9105

SINGAPORE OFFICE:

TEL:+65-747-2309

FAX:+65-748-4090

TAIPEI OFFICE:

TEL:+886-3-509-3300

FAX:+886-3-509-2200

MACRONIX AMERICA, INC.

TEL:+1-408-453-8088

FAX:+1-408-453-8488

CHICAGO OFFICE:

TEL:+1-847-963-1900

FAX:+1-847-963-1909

[http : //www.macronix.com](http://www.macronix.com)