

Not Recommended for New Designs

This product was manufactured for Maxim by an outside wafer foundry using a process that is no longer available. It is not recommended for new designs. The data sheet remains available for existing users.

A Maxim replacement or an industry second-source may be available. Please see the QuickView data sheet for this part or contact technical support for assistance.

For further information, [contact Maxim's Applications Tech Support](#).



High-Precision, 10V Reference

MX581

General Description

Maxim's MX581 is a three-terminal, temperature-compensated, bandgap voltage reference which provides a precision 10V output from an unregulated input of 12.5V to 30V. Laser trimming is used to minimize initial error and temperature drift, to as low as 10mV and 15ppm/°C with the MX581.

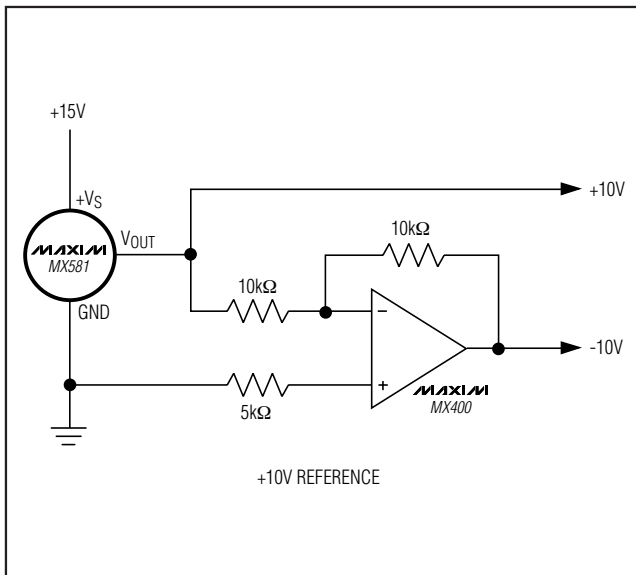
No external components are needed to achieve full accuracy over the operating temperature range. Total supply current to the device, including the internal output buffer amplifier is typically 750µA.

The MX581 is designed for use with 8- to 14-bit ADCs and DACs as well as data acquisition systems. The reference is available in a 3-pin TO-39 metal can and an 8-pin SO surface-mount package.

Applications

CMOS DAC Reference
A/D Converter Reference
Measurement Instrumentation
Threshold Detectors
Precision Analog Systems

Typical Operating Circuit



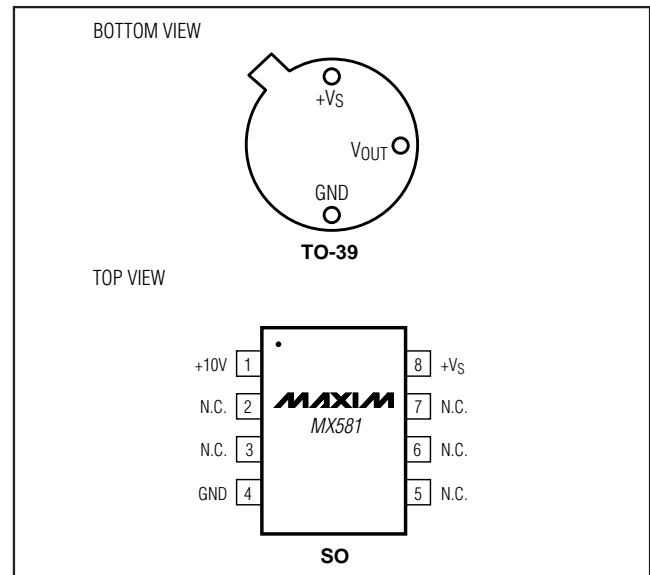
Features

- ◆ $\pm 10\text{mV}$ Tolerance (MX581K)
- ◆ Low Tempco—15ppm/°C max (MAX581K)
- ◆ No External Components or Trims
- ◆ Short-Circuit Proof
- ◆ Output Sources and Sinks Current
- ◆ 10mA Output Current
- ◆ Low-Supply Current—1.0mA (max)
- ◆ Three-Terminal Package

Ordering Information

PART	TEMP RANGE	PIN-PACKAGE	ERROR
MX581JH	0°C to +70°C	3 TO-39 Can	$\pm 30\text{mV}$
MX581KH	0°C to +70°C	3 TO-39 Can	$\pm 10\text{mV}$
MX581JCSA	0°C to +70°C	8 SO	$\pm 30\text{mV}$
MX581KCSA	0°C to +70°C	8 SO	$\pm 10\text{mV}$
MX581JESA	-40°C to +85°C	8 SO	$\pm 30\text{mV}$
MX581KESA	-40°C to +85°C	8 SO	$\pm 10\text{mV}$
MX581SH	-55°C to +125°C	3 TO-39 Can	$\pm 20\text{mV}$
MX581TH	-55°C to +125°C	3 TO-39 Can	$\pm 10\text{mV}$

Pin Configurations



MAXIM

Maxim Integrated Products 1

For pricing, delivery, and ordering information, please contact Maxim/Dallas Direct! at 1-888-629-4642, or visit Maxim's website at www.maxim-ic.com.

High-Precision, 10V Reference

ABSOLUTE MAXIMUM RATINGS

Input Voltage (V_{IN} to GND)-0.3V, +40V
 Continuous Power Dissipation
 TO-39 Can (derate 8.7mW/°C above +60°C)600mW
 SO (derate 5.3mW/°C above +75°C)400mW
 Output Short-Circuit Duration (Note 1)Indefinite
 Operating Temperature Range
 Commercial (J, K)0°C to +70°C
 Extended (J, K)-40°C to +85°C
 Military (S, T)-55°C to +125°C

Storage Temperature Range-65°C to +175°C
 Lead Temperature (soldering, 10s)+300°C
 Die Junction Temperature (T_J)-55°C to +150°C
 Thermal Resistance, Junction to Ambient
 TO-39 CAN+150°C/W
 SO+170°C/W

Note 1: Absolute maximum power dissipation must not be exceeded.

Stresses beyond those listed under "Absolute Maximum Ratings" may cause permanent damage to the device. These are stress ratings only, and functional operation of the device at these or any other conditions beyond those indicated in the operational sections of the specifications is not implied. Exposure to absolute maximum rating conditions for extended periods may affect device reliability.

ELECTRICAL CHARACTERISTICS

($V_{IN} = +15V$. $T_A = +25^\circ C$, unless otherwise noted.)

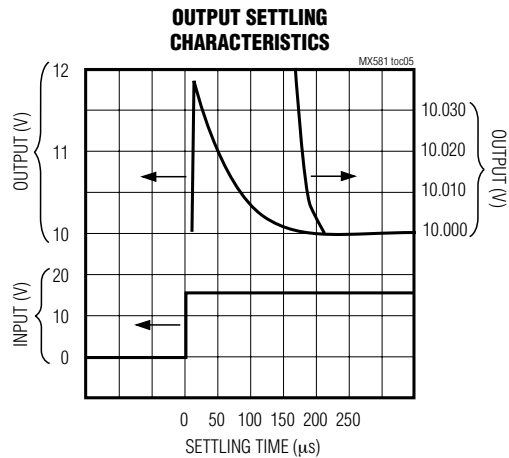
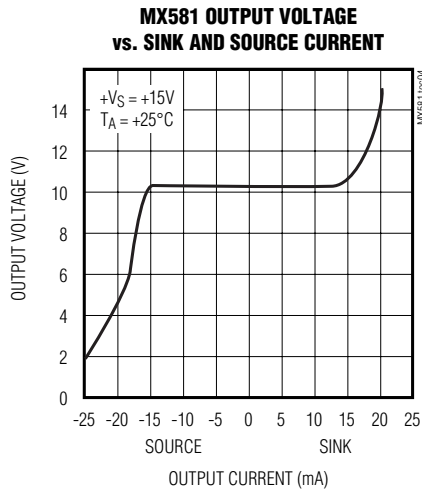
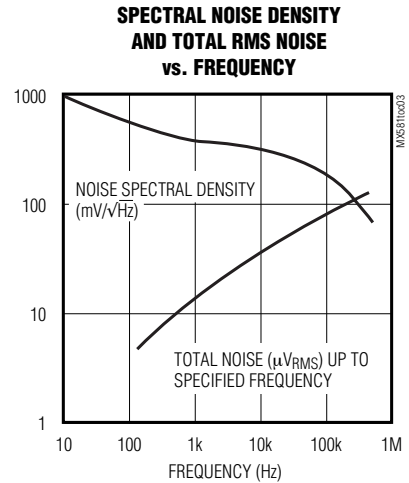
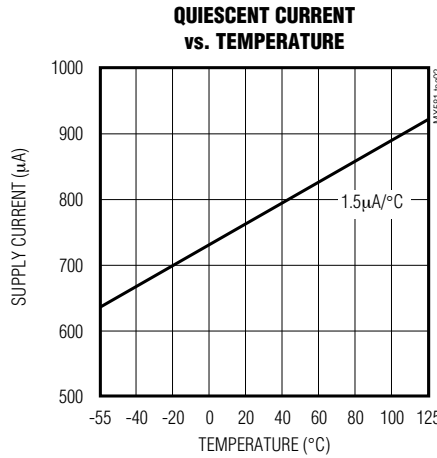
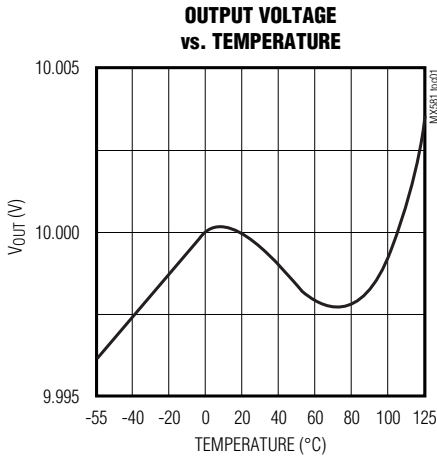
PARAMETER	SYMBOL	CONDITIONS		MIN	TYP	MAX	UNITS
Output Voltage Tolerance		$I_L = 0mA$	MX581J/S			30	mV
			MX581K/T			±10	
Output Voltage Change with Temperature (Temperature Coefficient)			MX581JH/JCSA			13.5 (30)	mV (ppm/°C)
			MX581JESA			19.5 (30)	
			MX581KH/KCSA			6.75 (15)	
			MX581KESA			13 (20)	
			MX581S			30 (30)	
			MX581T			15 (15)	
Line Regulation		No load	$12.5V < V_{IN} < 15V$			0.005 (1.0)	%V (mV)
			$15V < V_{IN} < 30V$			0.002 (3.0)	
Load Regulation		$I_L = 0mA$ to 5mA			20 (220)	50 (550)	ppm/mA ($\mu V/mA$)
Quiescent Supply Current	I_Q	$I_L = 0mA$			750	1000	μA
Turn-On Settling Time to 0.1%	t_{ON}				200		μs
Noise	$e_n(P-P)$	0.1Hz to 10Hz			50		μV_{P-P}
Long-Term Stability		Noncumulative			25		ppm/kHrs
Short-Circuit Current	I_{SC}				30		mA
Output Current	Source	I_L	$V_{IN} > V_{OUT} + 2.5V$	$T_A = +25^\circ C$		10	mA
				T_{MIN} to T_{MAX}		5	
	T_{MIN} to T_{MAX}			MX581J/K	5		
	T_{MIN} to T_{MAX}			MX581S/T	0.2		
	$T_A = -55^\circ C$ to $+65^\circ C$			MX581S/T	5		
Sink (Note 2)							

Note 2: $C_{LOAD} \geq 10nF$ (see the *Output Current* section).

High-Precision, 10V Reference

Typical Operating Characteristics

MX581



Detailed Description

As shown in Figure 1, most applications of the MX581 require no external components. Connections are $+V_S$, V_{OUT} , and GND (GND is tied to the case in the TO-5 package). Usually the desired accuracy is obtained by selecting the appropriate device grade. However, any part can be adjusted to a tighter tolerance, or to slightly different voltage, using the fine trim circuit in Figure 2. The table in Figure 2 lists the trim range for different values of R in the figure, and also shows the effect on temperature coefficient.

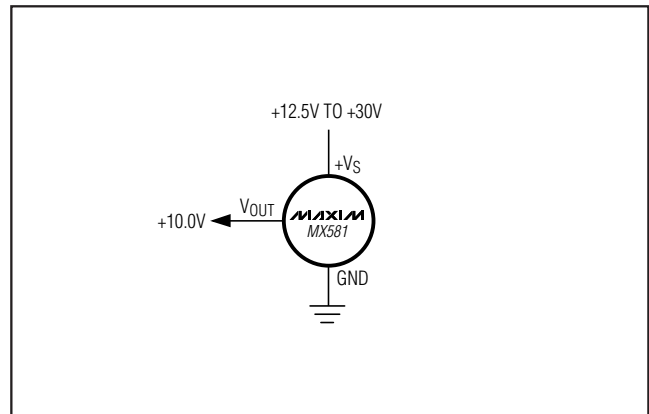


Figure 1. MX581 Basic Connection

High-Precision, 10V Reference

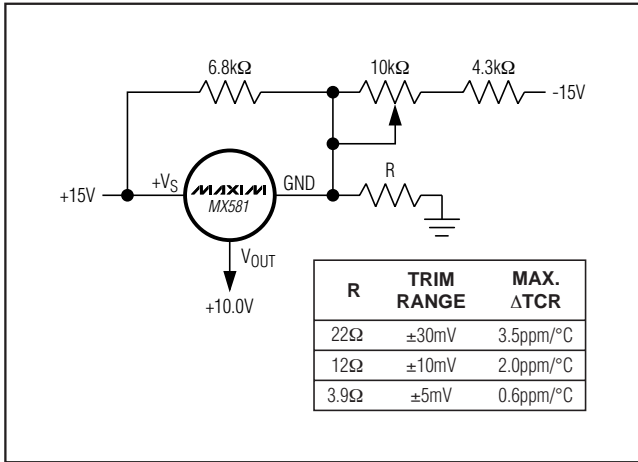


Figure 2. Optional Fine Trim Configuration

Voltage Temperature Coefficient

The temperature characteristic of the MX581 consistently follows an “S-curve” (see *Typical Operating Characteristics*). A five-point 100% test guarantees compliance with -55°C to +125°C specifications and a three-point 100% test guarantees 0°C to +70°C specifications.

The voltage change specifications in the *Electrical Characteristics* table state the maximum deviation over temperature from the reference’s initial value at +25°C, as well as drift in ppm/°C. By adding the maximum deviation for a given device to its initial tolerance, the total error is quickly determined.

Output Current

The MX581 is unique in that it can sink as well as source current. The circuit is also protected for output shorts to either +VS or GND. The output voltage versus current characteristic is shown in the *Typical Operating Characteristics*. For applications that require the MX581 to sink current, maintain a load capacitance of 10nF or greater for proper operation.

Dynamic Performance

The turn-on characteristic and settling performance of the MX581 are shown in the *Typical Operating Characteristics*. Both coarse and fine transient response is shown. The reference typically settles to 1mV within 180μs after power is applied.

Applications Information

Precision High-Current Reference

A pnp power transistor, or Darlington, is easily connected to the MX581 to greatly increase its output current. The circuit of Figure 3 provides a +10V output at up to 4A. If the load has a significant capacitive component, compensation capacitor, C1, should be added. If the load is purely resistive, high-frequency supply rejection is improved without C1.

Low Input Voltage

Although line regulation is specified from 12.5V to 40V, the MX581 can operate with a +12V ±5% input by adding a resistor as shown in Figure 4. The resistor reduces the current that must be supplied from VOUT. Note that the resistor cannot be used at higher input voltages since, as the supply increases, it sources more current than VOUT can sink.

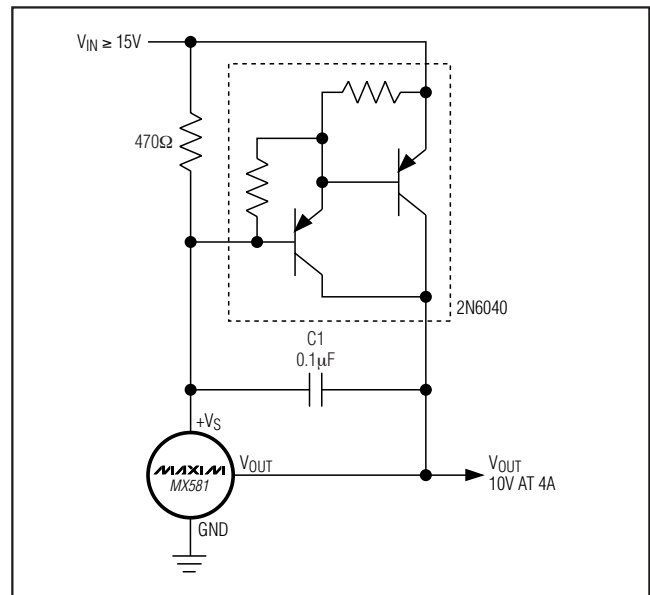


Figure 3. High-Current Precision Supply

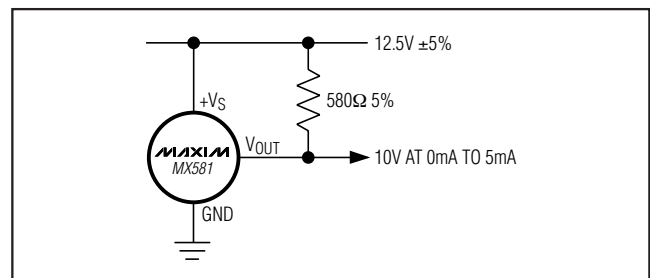


Figure 4. 12V Supply Connection

High-Precision, 10V Reference

MX581

Current Limiter

By adding a single resistor as shown in Figure 5, the MX581 is turned into a precision current limiter for applications where the driving voltage is 12.5V to 40V. The programmed current ranges from 0.75mA to 5mA.

Negative 10V Reference

Where a -10V reference is required, the MX581 can be connected as a two-terminal device and biased like a zener diode. The circuit is shown in Figure 6. +V_S and V_{OUT} are connected to the system's analog ground and the MX581's GND pin is connected, through a resistor, to the negative supply. With 1mA flowing in the reference, the output voltage is typically 2mV greater than what is obtained with the conventional, positive hook-up.

When using the 2-terminal connection, the load and the bias resistor must be selected so that the current flowing in the reference is maintained between 1mA and 5mA. The operating temperature range for this connection is limited to -55°C to +85°C.

Reference for CMOS DACs and ADCs

The MX581 is well suited for use with a wide variety of digital-to-analog converters, especially CMOS DACs. Figure 7 shows a circuit in which an MX7533 10-bit DAC outputs 0 to -10V when using a +10V reference. For a positive DAC output, the MX581 is configured as a 2-terminal -10V reference (Figure 6) and connected to the DAC's V_{REF} input.

In Figure 8, an MX7574 CMOS ADC uses an MX581 for its -10V reference input. The input range for the ADC is 0 to +10V.

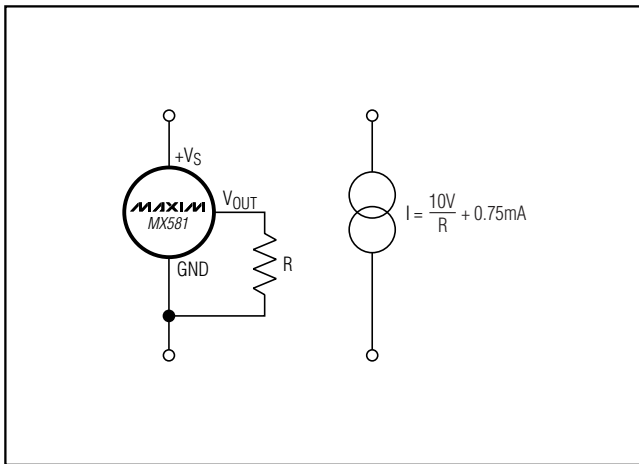


Figure 5. Two-Component Precision Current Limiter

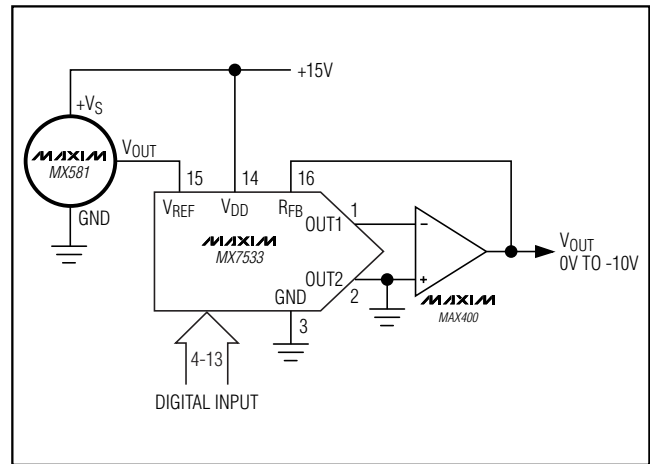


Figure 7. Low-Power, 10-Bit CMOS DAC Connection

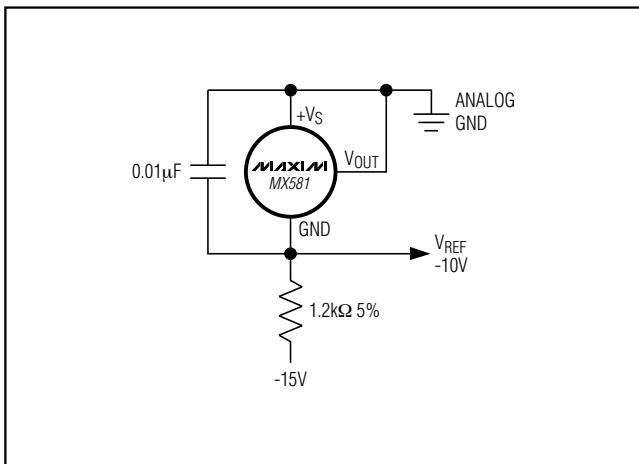


Figure 6. Two-Terminal -10V Reference

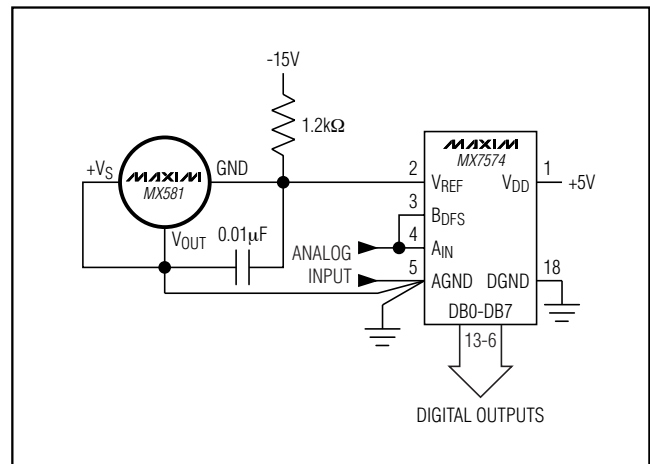


Figure 8. Negative 10V Reference for CMOS ADC

High-Precision, 10V Reference

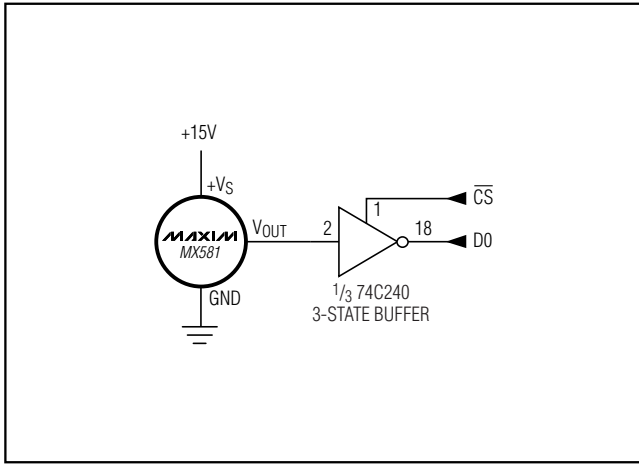
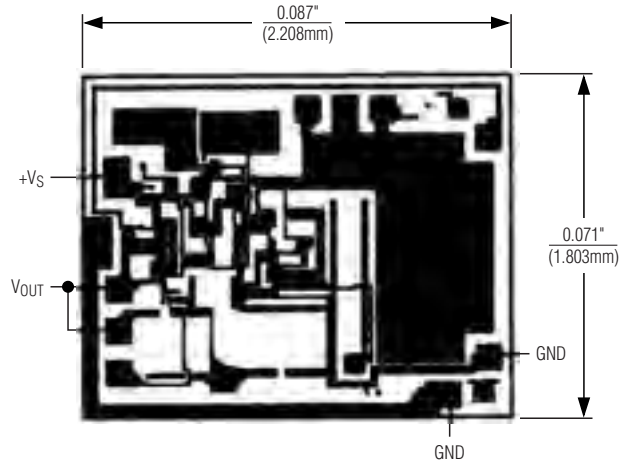
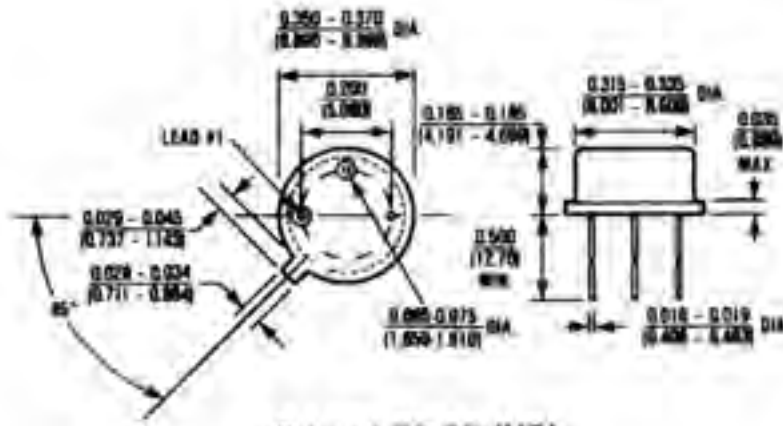


Figure 9. MX581 Microprocessor Interface

Chip Topography



TRANSISTOR COUNT: 72
SUBSTRATE CONNECTED TO GND



3 Lead TO-39 (VR)
 $\theta_{JA} = 150^{\circ}\text{C/W}$
 $\theta_{JC} = 15^{\circ}\text{C/W}$

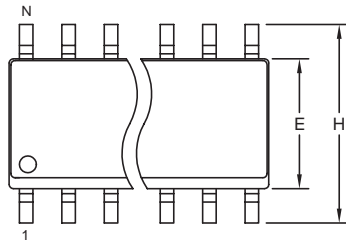
High-Precision, 10V Reference

Package Information

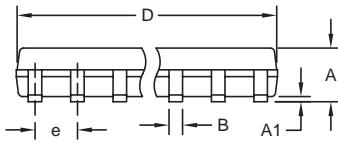
(The package drawing(s) in this data sheet may not reflect the most current specifications. For the latest package outline information, go to www.maxim-ic.com/packages.)

MX581

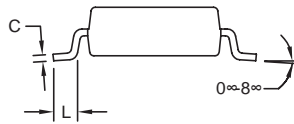
SOICN, EPS



TOP VIEW



FRONT VIEW



SIDE VIEW

DIM	INCHES		MILLIMETERS	
	MIN	MAX	MIN	MAX
A	0.053	0.069	1.35	1.75
A1	0.004	0.010	0.10	0.25
B	0.014	0.019	0.35	0.49
C	0.007	0.010	0.19	0.25
e	0.050 BSC		1.27 BSC	
E	0.150	0.157	3.80	4.00
H	0.228	0.244	5.80	6.20
L	0.016	0.050	0.40	1.27

VARIATIONS:

DIM	INCHES		MILLIMETERS		N	MS012
	MIN	MAX	MIN	MAX		
D	0.189	0.197	4.80	5.00	8	AA
D	0.337	0.344	8.55	8.75	14	AB
D	0.386	0.394	9.80	10.00	16	AC

NOTES:

1. D&E DO NOT INCLUDE MOLD FLASH.
2. MOLD FLASH OR PROTRUSIONS NOT TO EXCEED 0.15mm (.006").
3. LEADS TO BE COPLANAR WITHIN 0.10mm (.004").
4. CONTROLLING DIMENSION: MILLIMETERS.
5. MEETS JEDEC MS012.
6. N = NUMBER OF PINS.

<small>PROPRIETARY INFORMATION</small>	
TITLE: PACKAGE OUTLINE, .150" SOIC	
APPROVAL	DOCUMENT CONTROL NO. 21-0041
REV. B	1/1

Maxim cannot assume responsibility for use of any circuitry other than circuitry entirely embodied in a Maxim product. No circuit patent licenses are implied. Maxim reserves the right to change the circuitry and specifications without notice at any time.

Maxim Integrated Products, 120 San Gabriel Drive, Sunnyvale, CA 94086 408-737-7600 _____ 7