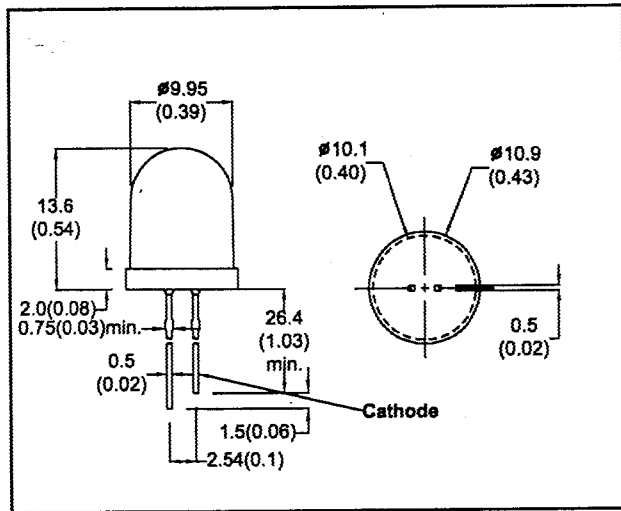


DESCRIPTION

MYB100D is high efficiency yellow LED lamp encapsulated in a 10mm diameter large package, yellow diffused lens.



- All dimension in mm(inch)
- No Scale
- Tol. : +/-0.3mm

ABSOLUTE MAXIMUM RATINGS

Power Dissipation @ Ta=25°C	60mW
Forward Current, DC (IF)	20mA
Reverse Voltage	5V
Operating & Storage Temperature Range	-55 to +100°C
Lead Temperature	260°C

ELECTRO-OPTICAL CHARACTERISTICS (Ta=25°C)

PARAMETER	SYMBOL	MIN	TYP	MAX	UNIT	CONDITIONS
Forward Voltage	VF			3.0	V	IF=20mA
Reverse Breakdown Voltage	BVR	5			V	IR=100μA
Luminous Intensity	IV	15	30		mcd	IF=20mA
Peak Wavelength	λp		585		nm	IF=20mA
Spectral Line Half Width	Δλ		35		nm	IF=20mA



MICRO ELECTRONICS LTD.

38, Hung To Road, Microtron Building, Kwun Tong, Kowloon, Hong Kong.

Kwun Tong P.O. Box 69477 Hong Kong. Fax No. 2341 0321 Telex:43510 Micro Hx. Tel: 2343 0181-5