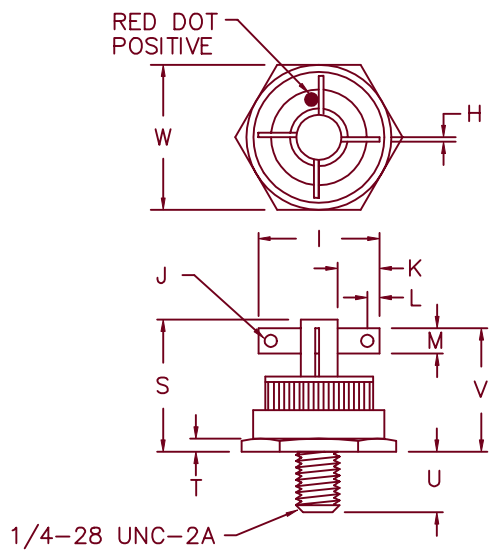
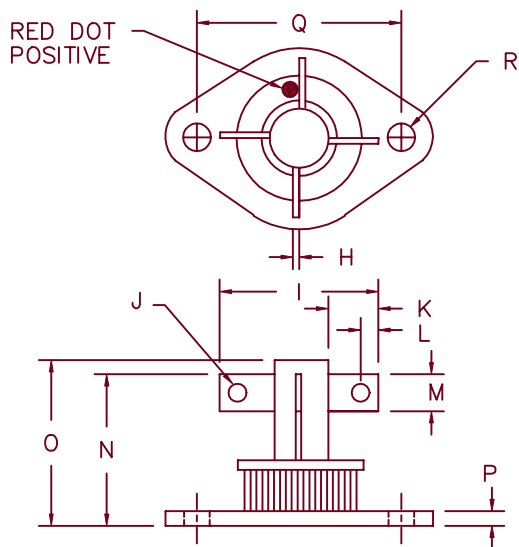
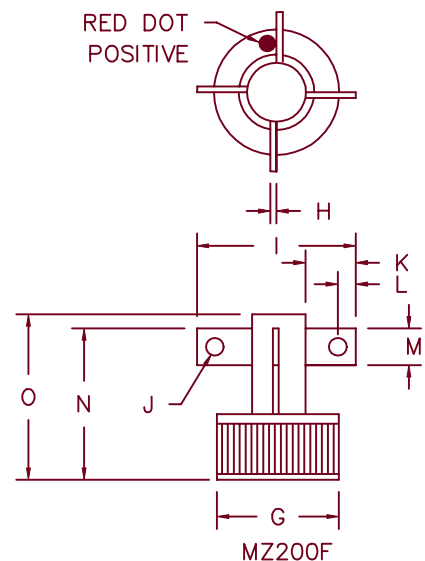
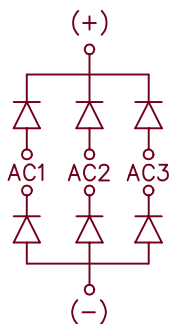
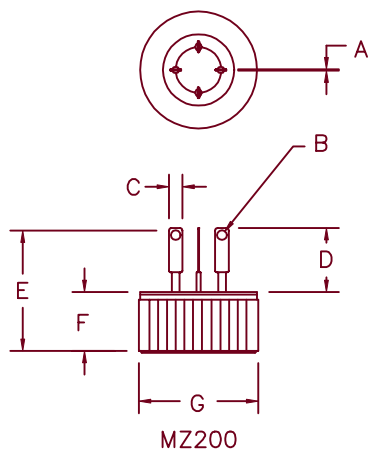


Three Phase 12 Amp Bridge Rectifier MZ200 — MZ1200



MZ200FT ← For Parts w/o Flag Delete F → MZ200FS

Dim.	Inches		Millimeter		Notes
	Minimum	Maximum	Minimum	Maximum	
A	.018	.028	0.46	0.71	
B	---	.070 typ.	---	---	Dia.
C	---	.125 typ.	---	---	
D	.290	.330	7.37	8.38	
E	---	.825	---	20.95	
F	.390	.420	9.90	10.67	
G	.751	.755	19.07	19.18	
H	---	.032 typ.	---	---	
I	---	1.0	---	25.4	
J	---	.11 typ.	---	---	Dia.
K	.250	---	6.35	---	

Dim.	Inches		Millimeter		Notes
	Minimum	Maximum	Minimum	Maximum	
L	---	.125 Typ.	---	---	
M	---	.187 Typ.	---	---	
N	---	.830	---	21.08	
O	---	.930	---	23.62	
P	---	.135	---	3.43	
Q	1.177	1.197	29.90	30.40	
R	.151	.161	3.84	4.10	Dia.
S	---	1.20	---	30.48	
T	---	.125 typ.	---	---	
U	.340	.400	8.64	10.16	
V	---	1.10	---	27.94	
W	---	.875	---	22.83	

MZ200 – MZ1200

Microsemi Catalog Number	Repetitive Peak Reverse Voltage
MZ200	200V
MZ400	400V
MZ600	600V
MZ800	800V
MZ1000	1000V
MZ1200	1200V

- Glass Passivated Die
- Hermetically sealed
- Soft Recovery
- 200°C Junction temperature

Electrical Characteristics		
DC forward current output	I_o 12A	$T_C = 110^\circ\text{C}$, $R_{\theta JC} = 2.5^\circ\text{C/W}$
Maximum Surge Current	I_{FSM} 100 Amps	8.3mS, half sine, $T_C = 110^\circ\text{C}$
Maximum I^2t For Fusing	I^2t 42A ² s	
Max. Peak Forward Voltage per leg	V_{FM} 1.2 Volts	$I_{FM} = 10\text{A}$; $T_J = 25^\circ\text{C}$
Max. Peak Reverse Current per leg	I_{RM} 5 μA	V_{RM} rated, $T_J = 25^\circ\text{C}$
Max. Peak Reverse Current per leg	I_{RM} 1.0 mA	V_{RM} rated, $T_J = 150^\circ\text{C}$

Thermal and Mechanical Characteristics		
Storage temperature range	T_{STG}	-65°C to +200°C
Operating junction temperature range	T_{OP}	-65°C to +200°C
Max thermal resistance per package	$R_{\theta JC}$	2.5°C/W

MZ200 – MZ1200

Figure 1
Maximum Forward Characteristics – Per Leg

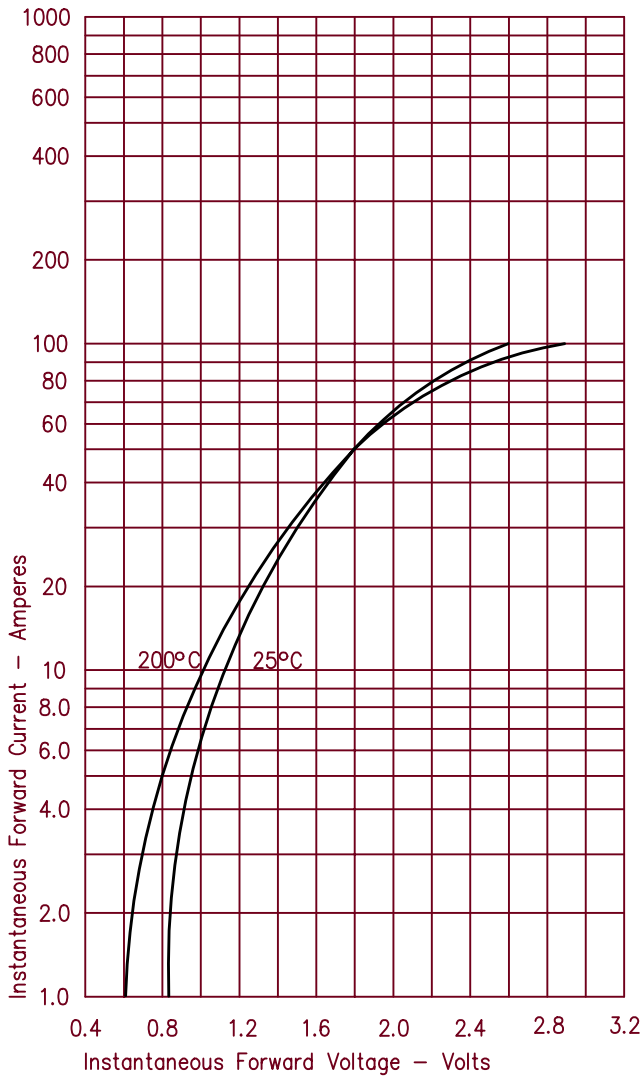


Figure 3
Forward Current Derating – Per Leg

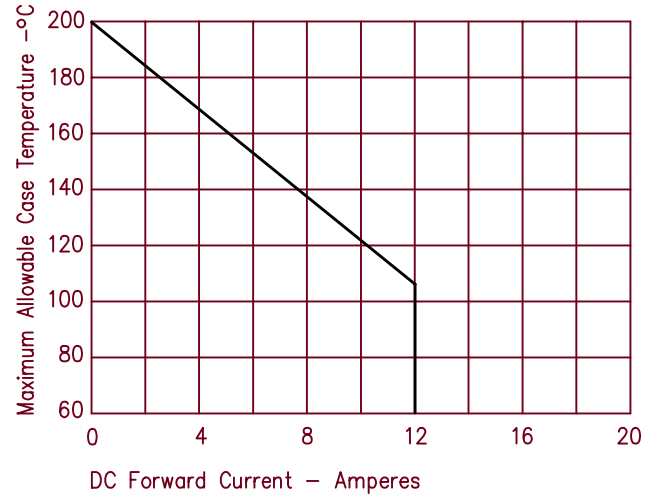


Figure 2
Typical Reverse Characteristics – Per Leg

