

20Watts Dual Output Power Supply

Model No.: NAD-01

Feature:

- 90 to 264Vac universal input range.
- UL, CSA, TUV safety approval.
- EMI/RFI meet VDE & FCC limit B.
- Low cost & compact size.
- 20Watts in 110×60×25mm Size.
- 2 Year Warranty.

Specifications: typical at nominal line, full load at 25°C.

Input Specifications:	General Specifications:
Input voltage: 90 to 264Vac	Efficiency: 70% typical at full load
Input Frequency: 47 Hz to 440Hz	Hold-up time: 15ms @ 110Vac full load
Input inrush current: 10A at 115Vac 20A at 230Vac	EMI/RFI: VDE & FCC Class B limits
Earth leakage: 0.2mA max @ 110VAC 0.4mA max @ 230VAC	Dielectric Withstand: Input/output: 3000VAC Input/Ground: 1500VAC
Output Specifications:	Safety Approval: UL UL1950 CSA 22.2-234/950 TUV EN60950
Output Rating: Vo1: +5V/1A Vo2: +12V/1A	Switching frequency: 20Khz
Line Regulation: ±1% max	Weight: 130g(4.6Oz)
Load Regulation: ±1% max.	MTBF: 100,000hours(MIL-HDBK-217F)
Transient Response: ±1% max dev. (Full to half load) 500uSec recovery	Environmental Specifications:
Temperature Coefficient: ±0.02% /°C	Operating temperature: 0 to +50°C
Ripple & Noise: 1% P-P max	Storage temperature: -40 to +85°C
Protections: a. Over current protection b. Over voltage protection c. Over power protection d. Short circuit protection	Humidity: 5 to 95 % RH non-condensing
	Vibration: 2.4G , 5 to 500Hz
	Cooling: Free air convection

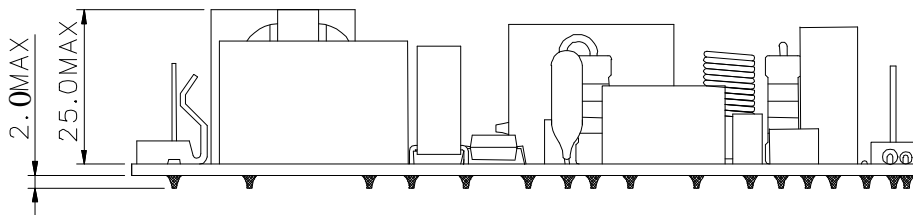
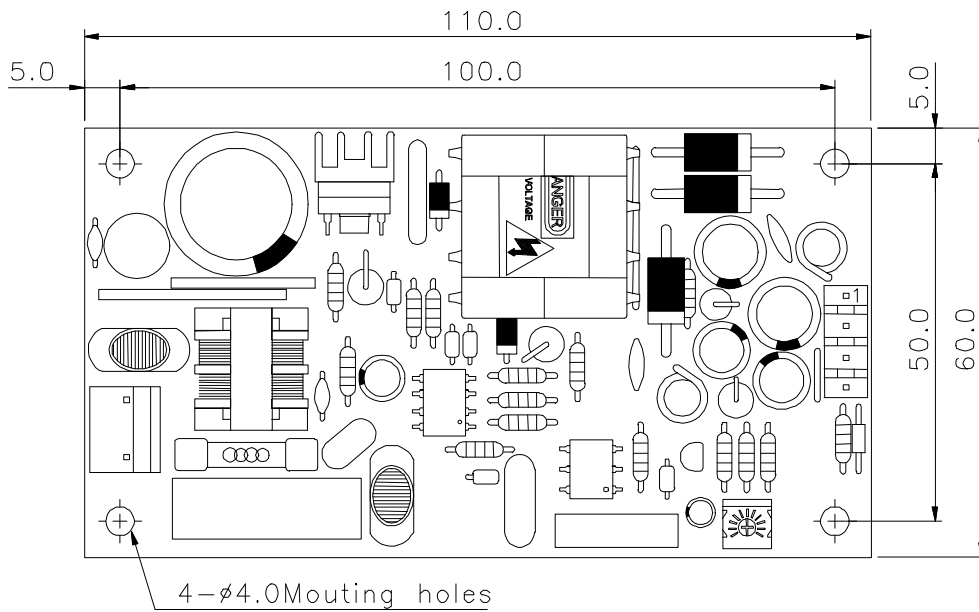
Note:

1. At least 20% of load is required to obtain stable regulation.
2. Vibration test: Three orthogonal axes, random vibration, 10 minutes for each axis.
3. Other output voltage versions available. Consult factory for details.

20Watts Dual Output Power Supply

Model No.: NAD-01

Dimensions: mm \pm 0.5mm



Pin	FUNCTION	Pin	FUNCTION
1	+5V	3	COM
2	COM	4	+12V

- AC mating connector is :LEOCO p/n 3941P03
- DC mating connector is : LEOCO p/n 3986P04