

15Watts Open Frame Dual Output NAD-151X series



Feature:

- 90 to 264Vac universal input range.
- UL/CUL, CSA, TUV, CE safety approval.
- EMI/RFI meet VDE & FCC limit B.
- Low cost & compact size.
- 15Watts in 98.3×46×27mm Size.
- 2 Year Warranty.

Specifications: typical at nominal line, full load at 25°C.

Input Specifications:	General Specifications:
Input voltage: 90 to 264Vac	Efficiency: 70% typical at full load
Input Frequency: 47 Hz to 63Hz	Hold-up time: 15ms @ 115Vac full load
Input inrush current: 20A at 115Vac 40A at 230Vac	EMI/RFI: VDE & FCC Class B limits
Earth leakage: 0.2mA max @ 115Vac 0.4mA max @ 230Vac	Dielectric Withstand: Input/output: 3000Vac Input/Ground: 1500Vac
Output Specifications:	*Safety Approval: UL/CUL UL60950 CSA 22.2-234/950 TUV EN60950 CE EN55022 & EN50082-1
Output Rating: See selection table	
Output Voltage Accuracy : ± 5% max.	
Line Regulation: ± 1% max.	
Load Regulation: ± 3% max. (Full to half load)	Switching frequency: 20Khz(reference)
Transient Response: ± 1% max.dev. (Full to half load) 500uS recovery	Weight: 150g(5.3Oz)
Temperature Coefficient: ± 0.04% / °C	MTBF: 100,000hours(MIL-HDBK-217F)
Ripple & Noise: 2% P-P max.	Environmental Specifications:
Protections: a. Over power protection b. Short circuit protection c. Over voltage protection	Operating temperature: 0 to +50°C
	Storage temperature: -20 to +85°C
	Humidity: 5 to 95 % RH non-condensing
	Vibration: 2.4G , 5 to 500Hz
	Cooling: Free air convection

Note:

1. Vibration test: Three orthogonal axes, random vibration, 10 minutes for each axis.
 2. Maximum output power is 15W.
 3. At least 20% of load is required to obtain stable regulation.
 4. Ripple & noise test method is measured at output terminal across a 0.1uF ceramic cap & a 10uF tantalum or electrolytic cap in parallel with a 20MHz bandwidth oscilloscope directly.
- ★ Please refer the safety approval status on appendix 1, For latest safety approval status Please consult YCL or visit" www.ycl.com.tw"

15Watts Open Frame Dual Output NAD-151X series



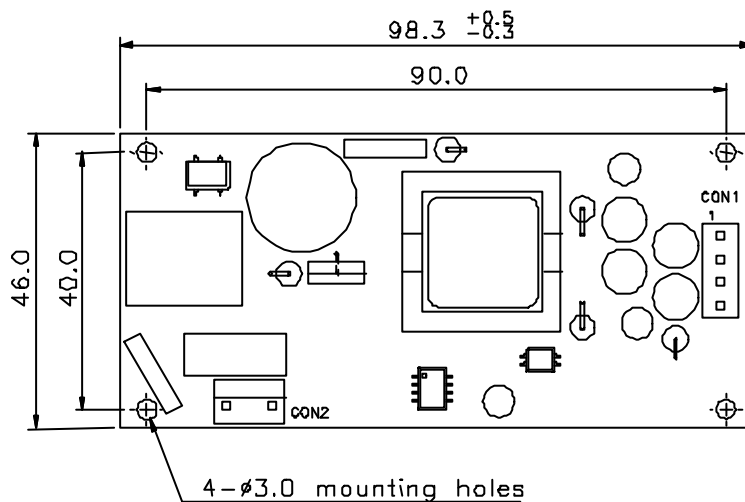
Model Selection Table:

Model No.	Output Voltage Vo1/Vo2	Output Current Typical	Max. Power
NAD-1511	+5V/-5V	+1500mA/-1500mA	15W
NAD-1512	+5V/+12V	+1500mA/+500mA	15W
NAD-1516	+15V/-15V	+500mA/-500mA	15W
NAD-1517	+3.3V/+5V	+3000mA/+1000mA	15W

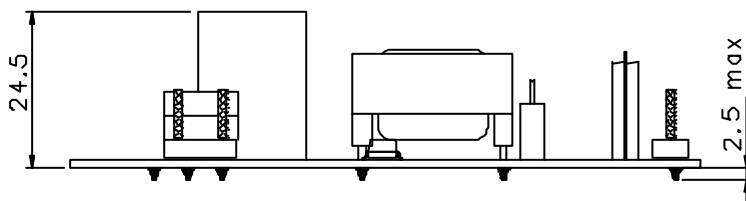
Note:

1. Other output voltage versions available. Please Consult factory for details.

Dimensions: mm \pm 0.5mm



PIN	Function
1	Vo1
2	COM
3	COM
4	Vo2



- AC mating connector is Molex 5096-02C, Ever 8673-03N2 ,or equivalent.
- DC mating connector is Molex 09-67-4041, Ever 8675-04 or equivalent.