

15Watts Dual Output Power Supply

NAD-151X series

Feature:

- 90 to 264Vac universal input range.
- UL, CSA, TUV safety approval.
- EMI/RFI meet VDE & FCC limit B.
- Low cost & compact size.
- 15Watts in 98×46×27mm Size.
- 2 Year Warranty.

Specifications: typical at nominal line, full load at 25°C.

Input Specifications:	General Specifications:
Input voltage: 90 to 264Vac	Efficiency: 70% typical at full load
Input Frequency: 47 Hz to 440Hz	Hold-up time: 15ms @ 110Vac full load
Input inrush current: 10A at 115Vac 20A at 230Vac	EMI/RFI: VDE & FCC Class B limits
Earth leakage: 0.2mA max @ 110VAC 0.4mA max @ 230VAC	Dielectric Withstand: Input/output: 3000VAC Input/Ground: 1500VAC
Output Specifications:	Safety Approval: UL UL1950 CSA 22.2-234/950 TUV EN60950
Output Rating: See Rating Charts	
Line Regulation: ±1% max	
Load Regulation: ±1% max.	Switching frequency: 20kHz
Transient Response: ±1% max.dev. (Full to half load) 500uSec recovery	Weight: 150g(5.3Oz)
Temperature Coefficient: ±0.02% / °C	MTBF: 100,000hours(MIL-HDBK-217F)
Ripple & Noise: 1% P-P max	Environmental Specifications:
Protections: a. Over current protection b. Over voltage protection c. Over power protection d. Short circuit protection	Operating temperature: 0 to +50°C
	Storage temperature: -40 to +85°C
	Humidity: 5 to 95 % RH non-condensing
	Vibration: 2.4G , 5 to 500Hz
	Cooling: Free air convection

Note:

1. At least 20% of load is required to obtain stable regulation.
2. Vibration test: Three orthogonal axes, random vibration, 10 minutes for each axis.

15Watts Dual Output Power Supply

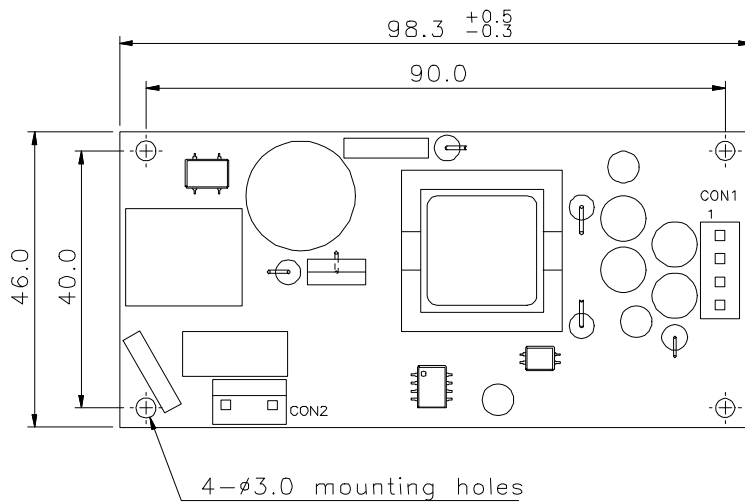
NAD-151X series

Model No.	Output Voltage Vo1/Vo2	Output Current Typical	Max. Power
NAD-1511	+5V/-5V	+1500mA/-1500mA	15W
NAD-1512	+5V/+12V	+1500mA/+500mA	15W
NAD-1513	+5V/+15V	+1500mA/+500mA	15W
NAD-1514	+5V/+24V	+1500mA/+300mA	15W
NAD-1515	+12V/-12V	+600mA/-600mA	15W
NAD-1516	+15V/-15V	+500mA/-500mA	15W
NAD-1517	+3.3V/+5V	+3000mA/+1000mA	15W

Note:

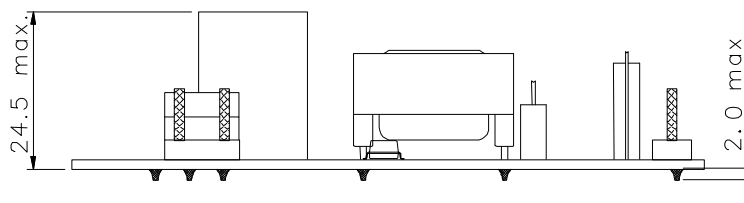
1. Other output voltage versions available. Consult factory for details.

Dimensions: mm \pm 0.5mm



DC output pin

1. Vo1
2. GND
3. GND
4. Vo2



- AC mating connector is Molex 09-50-3031
- DC mating connector is Molex 09-91-0400