

10Watts Open Frame Single Output



Model No: NAD-34B

Feature:

- 90 to 264Vac universal input range.
- UL, CSA, TUV safety Meet..
- EMI/RFI meet VDE & FCC limit B.
- Low cost & compact size.
- Input with inlet socket.
- 10Watts in 78.3×48×25.5mm size.
- 2 Year Warranty.

Specifications: typical at nominal line, full load at 25 ° C.

Input Specifications:	General Specifications:
Input voltage: 90 to 264Vac	Efficiency: 70% typical at full load
Input Frequency: 47 Hz to 63Hz	Hold-up time: 15ms @ 115Vac full load
Input inrush current: 20A at 115Vac 40A at 230Vac	EMI/RFI: VDE & FCC Class B limits
Earth leakage: 0.2mA max @ 115Vac 0.4mA max @ 230Vac	Dielectric Withstand: Input/output: 3000Vac Input/Ground: 1500Vac
Output Specifications:	*Safety Meet:
Output Rating: Vo1: +5V/2A	UL UL1950 CSA 22.2-234/950 TUV EN60950
Output Voltage Accuracy: ± 5%max.	
Line Regulation: ± 1% max	Switching frequency: 100kHz
Load Regulation: ± 1% max. (Full to half load)	Weight: 90g
Transient Response: ± 1% max.dev. (Full to half load) 500uS recovery	MTBF: 100,000hours(MIL-HDBK-217F)
Temperature Coefficient: ± 0.04% / °C	Environmental Specifications:
Ripple & Noise: 100mVp-p max.	Operating temperature: 0 to +50°C
Protections: a. Over power protection b. Short circuit protection	Storage temperature: -20 to +85°C
	Humidity: 5 to 95 % RH non-condensing
	Vibration: 2.4G , 5 to 500Hz
	Cooling: Free air convection

Note:

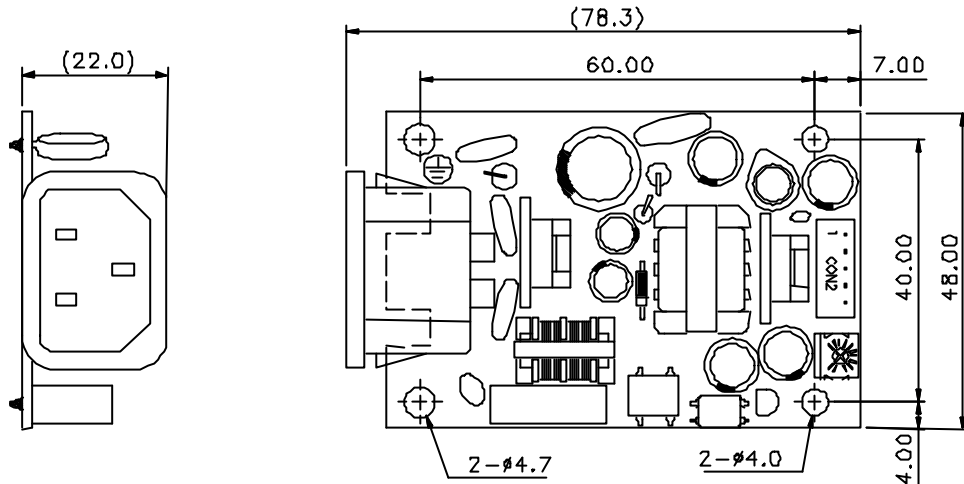
1. Vibration test: Three orthogonal axes, random vibration, 10 minutes for each axis.
 2. Maximum output power is 10W.
 3. At least 20% of load is required to obtain stable regulation.
 4. Ripple & noise test method is measured at output terminal across a 0.1uF ceramic cap & a 10uF tantalum or electrolytic cap in parallel with a 20MHz bandwidth oscilloscope directly.
- ★ Please refer the safety approval status on appendix 1, For latest safety approval status Please consult YCL or visit" www.ycl.com.tw

10Watts Open Frame Single Output



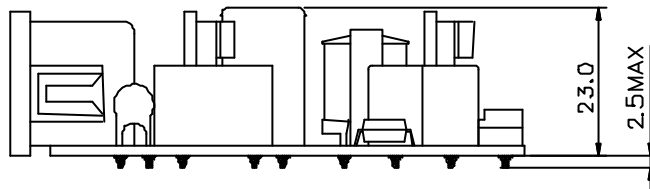
Model No: NAD-34B

Dimensions: mm \pm 0.5mm



註:

1. 一般公差 \pm 0.5mm
2. 括弧內為參考尺寸
3. PCB 板厚 1.6mm



Pin	FUNCTION	Pin	FUNCTION
1	+OUT	3	-OUT
2	+OUT	4	-OUT
3	+OUT	5	-OUT

- **DC Output mating connector is MOLEX 6728-0600 ,ever 2532-06K or equivalent.**