

10Watts 3.3V & 5V Dual Output



Model No: NAD-34E

Feature:

- 90 to 264Vac universal input range.
- UL/CUL, TUV safety approval..
- EMI/RFI meet VDE & FCC limit B.
- Low cost & compact size.
- Input with inlet socket.
- 10 Watts in 78.3×48×25.5 mm size.
- 2 Year Warranty.

Specifications: typical at nominal line, full load at 25 ° C.

Input Specifications:	General Specifications:
Input voltage: 90 to 264Vac	Efficiency: 70% typical at full load
Input Frequency: 47 Hz to 63Hz	Hold-up time: 15ms @ 115Vac full load
Input inrush current: 20A at 115Vac 40A at 230Vac	EMI/RFI: VDE & FCC Class B limits
Earth leakage: 0.2mA max @ 115Vac 0.4mA max @ 230Vac	Dielectric Withstand: Input/output: 3000Vac Input/Ground: 1500Vac
Output Specifications:	*Safety Approval: UL/CUL UL60950 TUV EN60950
Output Rating: Vo1: +5V/0.125A Vo2: +3.3V/3A	
Output Voltage Accuracy : ± 5% max.	Switching frequency: 100kHz(reference)
Line Regulation: ± 1% max	Weight: 90g
Load Regulation: ± 3% max. (Full to half load)	MTBF: 100,000hours(MIL-HDBK-217F)
Transient Response: ± 1% max.dev. (Full to half load) 500uS recovery	Environmental Specifications:
Temperature Coefficient: ± 0.04% / °C	Operating temperature: 0 to +50°C
Ripple & Noise: 80mVp-p max.	Storage temperature: -20 to +85°C
Protections: a. Over power protection b. Short circuit protection	Humidity: 5 to 95 % RH non-condensing
	Vibration: 2.4G , 5 to 500Hz
	Cooling: Free air convection

Note:

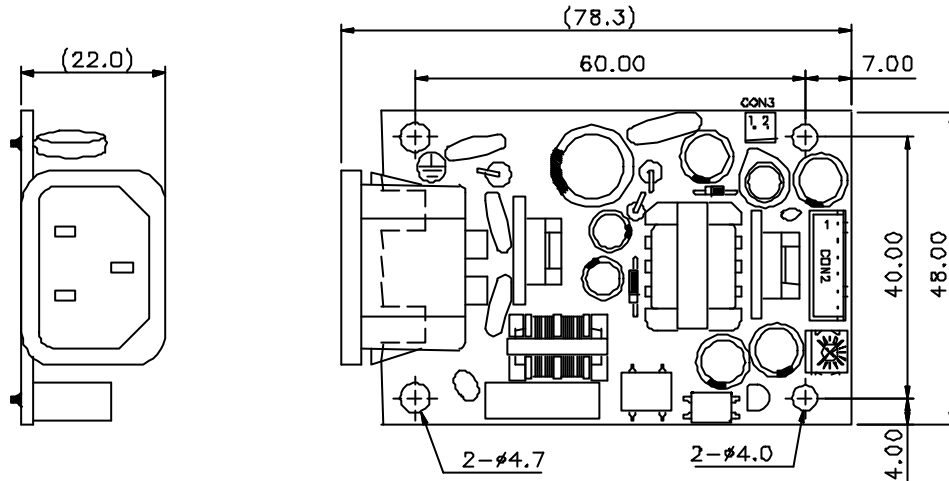
1. Vibration test: Three orthogonal axes, random vibration, 10 minutes for each axis.
 2. Maximum output power is 10W.
 3. At least 20% of load is required to obtain stable regulation.
 4. Ripple & noise test method is measured at output terminal across a 0.1uF ceramic cap & a 10uF tantalum or electrolytic cap in parallel with a 20MHz bandwidth oscilloscope directly.
 5. Output +5V range 4.9V~5.7V for full load.
- ★ Please refer the safety approval status on appendix 1, For latest safety approval status Please consult YCL or visit" www.ycl.com.tw

10Watts 3.3V & 5V Dual Output

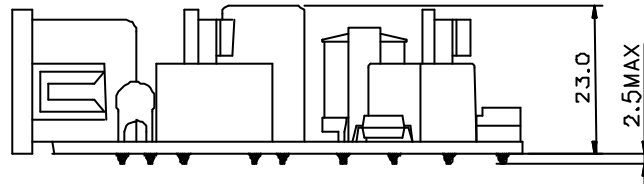


Model No: NAD-34E

Dimensions: mm± 0.5mm



- 註:
1. Tolerance: ±0.5mm
 2. PCB: 1.6mm



CON2:

Pin	FUNCTION	Pin	FUNCTION
1	+3.3V	4	COM
2	+3.3V	5	COM
3	+3.3V	6	COM

CON3:

Pin	FUNCTION
1	+5V
2	COM

- DC output mating connector is : Molex 67280-0600, Ever 2532-06K or equivalent.