

3.3V & 5V Dual Output With AC Socket & SW

Model No: NAD-36

Feature:

- 90 to 264Vac universal input range.
- Meet UL, CSA, TUV safety.
- EMI/RFI meet VDE & FCC limit B.
- Low cost & compact size.
- 2 Year Warranty.

Specifications: typical at nominal line, full load at 25 ° C.

Input Specifications:	General Specifications:
Input voltage: 90 to 264Vac	Efficiency: 70% typical at full load
Input Frequency: 47 Hz to 440Hz	Hold-up time: 12ms @ 110Vac full load
Input inrush current: 12A at 115Vac 24A at 230Vac	EMI/RFI: VDE & FCC Class B limits
Earth leakage: 0.2mA max @ 110VAC 0.4mA max @ 230VAC	Dielectric Withstand: Input/output: 3000VAC Input/Ground: 1500VAC
Output Specifications:	Safety Approval: UL UL1950 CSA 22.2-234/950 TUV EN60950
Output Rating: Vo1: +5V/2A Vo2: +3.3V/6A	
Line Regulation: ±1% max	
Load Regulation: ±1% max.	Switching frequency: 20kHz
Transient Response: ±1% max.dev. (Full to half load) 500uSec recovery	Weight: 280g MTBF: 100,000hours(MIL-HDBK-217F)
Temperature Coefficient: ±0.02% / °C	Environmental Specifications:
Ripple & Noise: 100mVp-p max.	Operating temperature: 0 to +50°C
Protections: a. Over current protection b. Over voltage protection c. Over power protection d. Short circuit protection	Storage temperature: -40 to +85°C
	Humidity: 5 to 95 % RH non-condensing
	Vibration: 2.4G , 5 to 500Hz
	Cooling: Free air convection

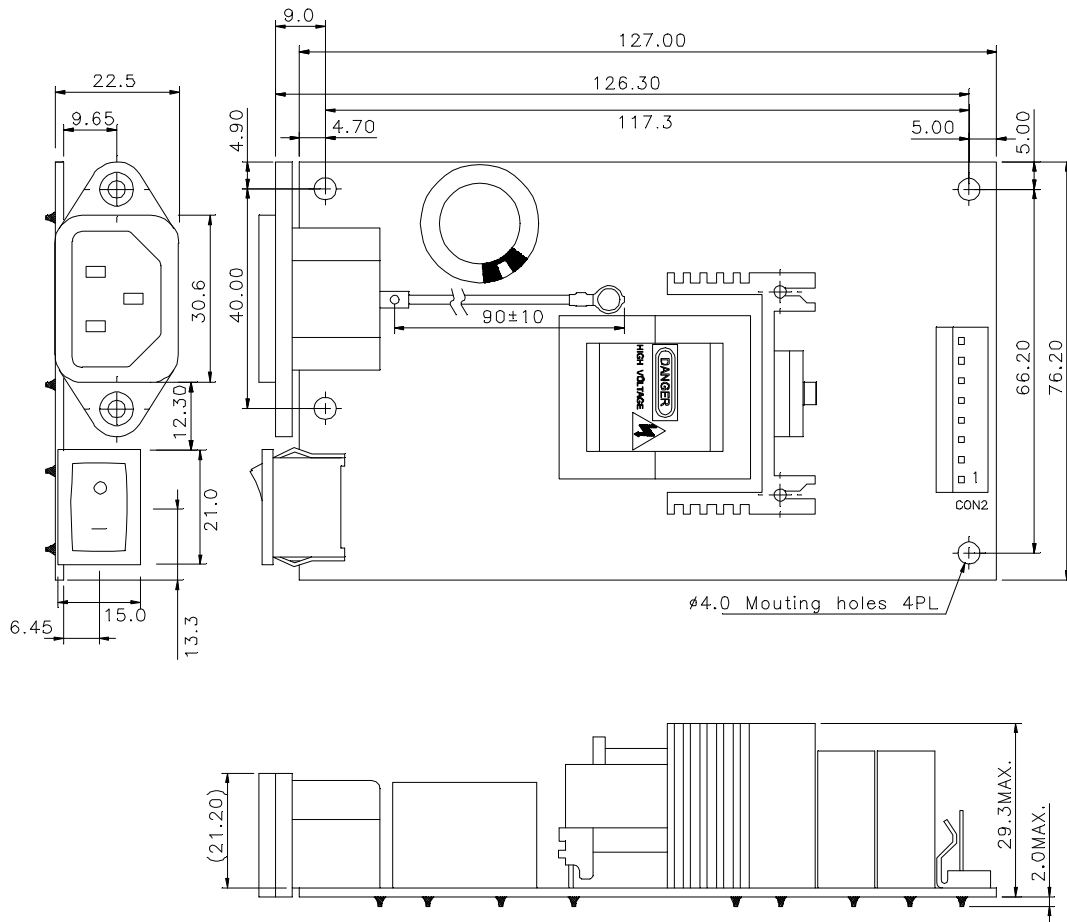
Note:

1. Other output voltage versions available. Consult factory for details.
2. Vibration test: Three orthogonal axes, random vibration, 10 minutes for each axis.

3.3V & 5V Dual Output With AC Socket & SW

Model No: NAD-36

Dimensions: (mm)



Remark:
 1. Tolerance: $\pm 0.5\text{mm}$
 2. PCB: 1.6mm

Pin	FUNCTION	Pin	FUNCTION
1	COM	5	+3.3V
2	COM	6	+3.3V
3	COM	7	+5V
4	+3.3V	8	+5V

- DC output mating connector is Molex 09-91-0800
- AC input is 3pins IEC PCB mounting or equivalent.