



● For GSM Repeater

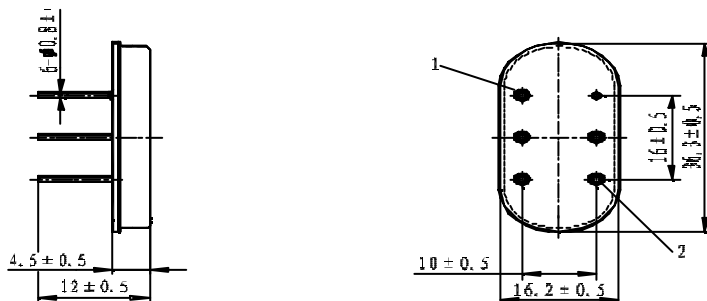
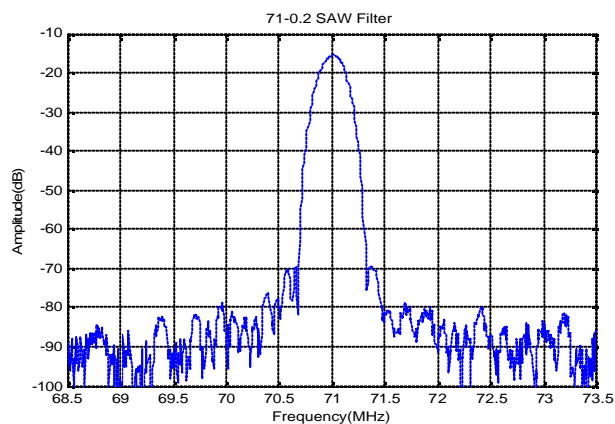
**Absolute Maximum Rating**

| Rating                        | Value      |
|-------------------------------|------------|
| CW RF power Dissipation       | +13dBm     |
| DC Voltage between any 2 pins | ± 30VDC    |
| Operating Temperature         | -10 to +60 |

**NE 71-0.2**  
71MHz SAW Filter

**Electrical Characteristic**

| Characteristic                            | Unit            | Minimum | Typical | Maximum |
|---|-----------------|---------|---------|---------|
| Center Frequency                          | MHz             | 70.984  | 71.00   | 71.016  |
| Insertion Loss                            | dB              |         | 15.6    | 18      |
| 3dB Bandwidth                             | MHz             | 0.19    | 0.20    | 0.21    |
| Attenuation (at $F_0 \pm 200\text{KHz}$ ) | dB              | 11.5    | 12.0    |         |
| Attenuation (at $F_0 \pm 400\text{KHz}$ ) | dB              | 45      | 50      |         |
| Attenuation (at $F_0 \pm 600\text{KHz}$ ) | dB              | 60      | 63      |         |
| Ultimate rejection                        | dB              | 55      | 60      |         |
| Package                                   | mm <sup>2</sup> |         | 36×16   |         |
| Ambient Temperature                       |                 |         | 25      |         |



1: Input; 2: Output; other: ground.