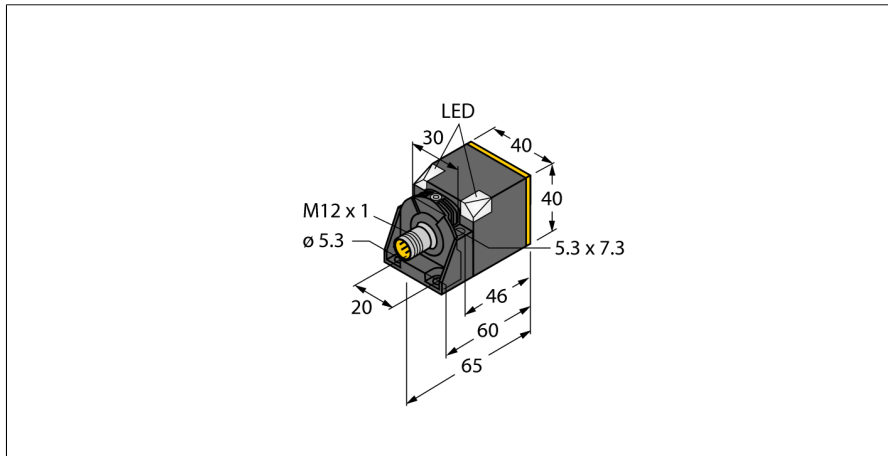
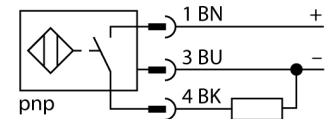


Inductive sensor NI25U-CK40-AP6X2-H1141 W/BS2.1



- Rectangular, height 40 mm
- Variable orientation of active face in 5 directions
- Plastic, PBT-GF30-V0
- DC 3-wire, 10...30 VDC
- NO contact, PNP output
- M12 x 1 male connector

Wiring Diagram



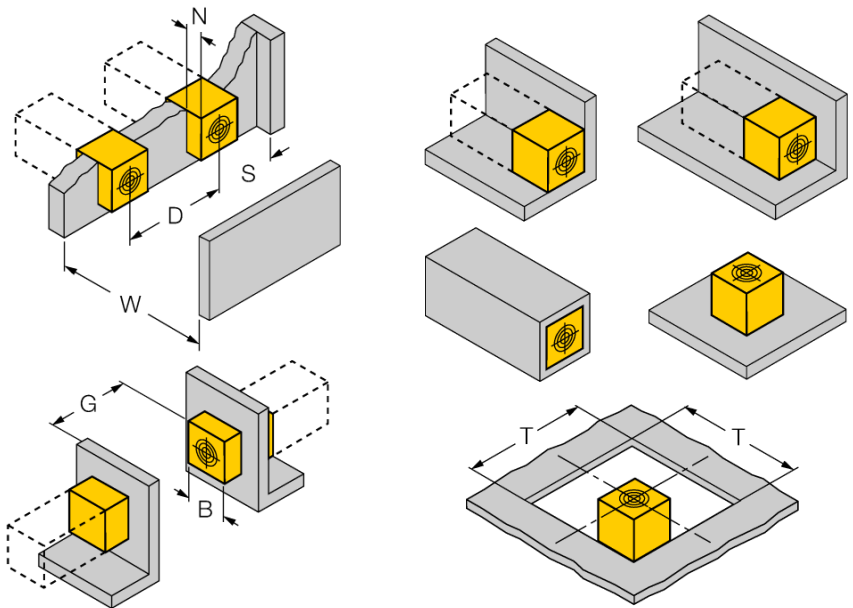
Type designation	NI25U-CK40-AP6X2-H1141 W/BS2.1
Ident-No.	1625790
Ident-No (TUSA)	M1625790

General data

Rated switching distance S_n	25 mm
Mounting conditions	Non-flush
Repeat accuracy	≤ 2 % of full scale
Hysteresis	3...15 %
Operating voltage	10...30 VDC
Residual ripple	≤ 10 % U _s
DC rated operational current	≤ 200 mA
No-load current I ₀	≤ 15 mA
Residual current	≤ 0.1 mA
Isolation test voltage	≤ 0.5 kV
Short-circuit protection	yes/ Cyclic
Voltage drop at I ₀	≤ 1.8 V
Wire breakage/Reverse polarity protection	yes/ Complete
Output function	3-wire, NO contact, PNP
Switching frequency	0.25 kHz
Design	Rectangular, CK40
Dimensions	65 x 40 x 40 mm variable orientation of active face in 5 directions
Housing material	Plastic, PBT-GF20-V0, Black
Active area material	Plastic, PA12-GF30, yellow
Electrical connection	Connector, M12 x 1
Vibration resistance	55 Hz (1 mm)
Shock resistance	30 g (11 ms)
Packaging unit	1
Power-on indication	2 x LEDs, Green
Switching state	2 x LEDs, Yellow
Included in delivery	Fixing clamp BS4-CK40

Inductive sensor
NI25U-CK40-AP6X2-H1141 W/BS2.1

Distance D	120 mm
Distance W	75 mm
Distance T	140 mm
Distance S	20 mm
Distance G	150 mm
Distance N	30 mm
<hr/>	
Width active area B	40 mm



Flush mounting
 1-side mounting: $S_r = 22 \text{ mm}$
 2-side mounting: $S_r = 20 \text{ mm}$
 3-side mounting: $S_r = 17 \text{ mm}$

Backside mounting with full switching distance.

Recessed mounting with reduced switching distance.

The values stated relate to a 1 mm thick steel plate.

Inductive sensor
NI25U-CK40-AP6X2-H1141 W/BS2.1

Accessories

Type code	Ident-No.	Description	
BSS-CP40	6901318	Mounting bracket for rectangular devices; material: Polypropylene	