

LOW DROPOUT VOLTAGE REGULATOR

■ GENERAL DESCRIPTION

The NJM2871/A, NJM2872/A are low dropout voltage regulators designed for cellular phone application. Advanced Bipolar technology achieves low noise, high ripple rejection and low quiescent current.

■ PACKAGE OUTLINE



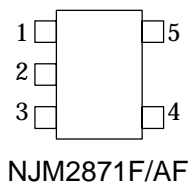
NJM2871F/AF

NJM2872F/AF

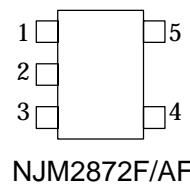
■ FEATURES

- High Ripple Rejection 70dB typ. (f=1kHz)
- Output Noise Voltage $V_{no}=30\mu V_{rms}$ ($C_p=0.01\mu F$)
- Output capacitor with 1.0uF ceramic capacitor ($V_o\geq 2.7V$)
- Output Current $I_o(max.)=150mA$
- High Precision Output $V_o\pm 2\%$
 $V_o\pm 1\%:A$ Version
- Low Dropout Voltage 0.10V typ. ($I_o=60mA$)
- ON/OFF Control (Active High)
- Operating Voltage Range $+2.5V\sim +14V$ ($V_o\leq 2.0V$ version)
- Internal Short Circuit Current Limit
- Internal Thermal Overload Protection
- Bipolar Technology
- Package Outline MTP5 (MTP5:2.8x2.9x1.1mm)

■ PIN CONFIGURATION

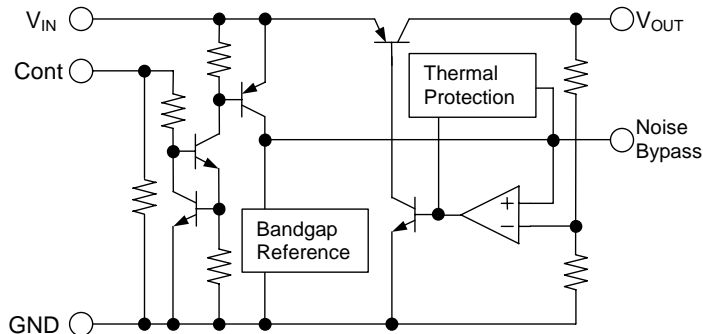


PIN FUNCTION
 1. CONTROL (Active High)
 2. GND
 3. NOISE BYPASS
 4. V_{OUT}
 5. V_{IN}



PIN FUNCTION
 1. V_{IN}
 2. GND
 3. CONTROL (Active High)
 4. NOISE BYPASS
 5. V_{OUT}

■ EQUIVALENT CIRCUIT



■ ABSOLUTE MAXIMUM RATINGS (Ta=25°C)

PARAMETER	SYMBOL	RATINGS	UNIT
Input Voltage	V _{IN}	+14	V
Control Voltage	V _{CONT}	+14(note 1)	V
Power Dissipation	P _D	200	mW
Operating Temperature	T _{opr}	-40 ~ +85	°C
Storage Temperature	T _{stg}	-40 ~ +125	°C

(note 1) When input voltage is less than +14V, the absolute maximum control voltage is equal to the input voltage.

■ ELECTRICAL CHARACTERISTICS

(Vo>2.0V version : V_{IN}=Vo+1V, C_{IN}=0.1μF, Co=1.0μF: Vo≥2.7V (Co=2.2μF: Vo≤2.6V), Cp=0.01μF, Ta=25°C)

PARAMETER	SYMBOL	TEST CONDITION	MIN.	TYP.	MAX.	UNIT
Output Voltage	Vo	Io=30mA	-2%	-	+2%	V
		Io=30mA, A Version	-1%	-	+1%	V
Quiescent Current	I _Q	Io=0mA, expect I _{cont}	-	120	180	μA
Quiescent Current at Control OFF	I _{Q(OFF)}	V _{CONT} =0V	-	-	100	nA
Output Current	Io	Vo-0.3V	150	200	-	mA
Line Regulation	ΔVo/ΔV _{IN}	V _{IN} =Vo+1V ~ Vo+6V, Io=30mA	-	-	0.10	%/V
Load Regulation	ΔVo/ΔIo	Io=0 ~ 100mA	-	-	0.03	%/mA
Dropout Voltage	ΔV _{I-O}	Io=60mA	-	0.10	0.18	V
Ripple Rejection	RR	e _{in} =200mVrms, f=1kHz, Io=10mA V _{IN} =Vo+1V, Vo=3V Version	-	70	-	dB
Average Temperature Coefficient of Output Voltage	ΔVo/ΔTa	Ta=0~85°C, Io=10mA, Vo=3V Version	-	0.2	-	mV/°C
Output Noise Voltage	V _{NO}	f=10Hz~80kHz, Io=10mA, Vo=3V Version	-	30	-	μVrms
Control Voltage for ON-state	V _{CONT(ON)}		1.6	-	-	V
Control Voltage for OFF-state	V _{CONT(OFF)}		-	-	0.6	V

(Vo≤2.0V version : V_{IN}=Vo+1V, C_{IN}=0.1μF, Co=4.7μF, Cp=0.01μF, Ta=25°C)

PARAMETER	SYMBOL	TEST CONDITION	MIN.	TYP.	MAX.	UNIT
Output Voltage	Vo	Io=30mA	-2%	-	+2%	V
		Io=30mA, A Version	-1%	-	+1%	V
Quiescent Current	I _Q	Io=0mA, expect I _{cont}	-	120	180	μA
Quiescent Current at Control OFF	I _{Q(OFF)}	V _{CONT} =0V	-	-	100	nA
Output Current	Io	Vo-0.3V	150	200	-	mA
Line Regulation	ΔVo/ΔV _{IN}	V _{IN} =Vo+1V ~ Vo+6V, Io=30mA	-	-	0.10	%/V
Load Regulation	ΔVo/ΔIo	Io=0 ~ 100mA	-	-	0.03	%/mA
Ripple Rejection	RR	e _{in} =200mVrms, f=1kHz, Io=10mA V _{IN} =Vo+1V, Vo=1.8V Version	-	75	-	dB
Average Temperature Coefficient of Output Voltage	ΔVo/ΔTa	Ta=0~85°C, Io=10mA, Vo=1.8V Version	-	0.13	-	mV/°C
Output Noise Voltage	V _{NO}	f=10Hz~80kHz, Io=10mA, Vo=1.8V Version	-	22	-	μVrms
Control Voltage for ON-state	V _{CONT(ON)}		1.6	-	-	V
Control Voltage for OFF-state	V _{CONT(OFF)}		-	-	0.6	V

(note 2) The above specification is a common specification for all output voltages.

Therefore, it may be different from the individual specification for a specific output voltage.

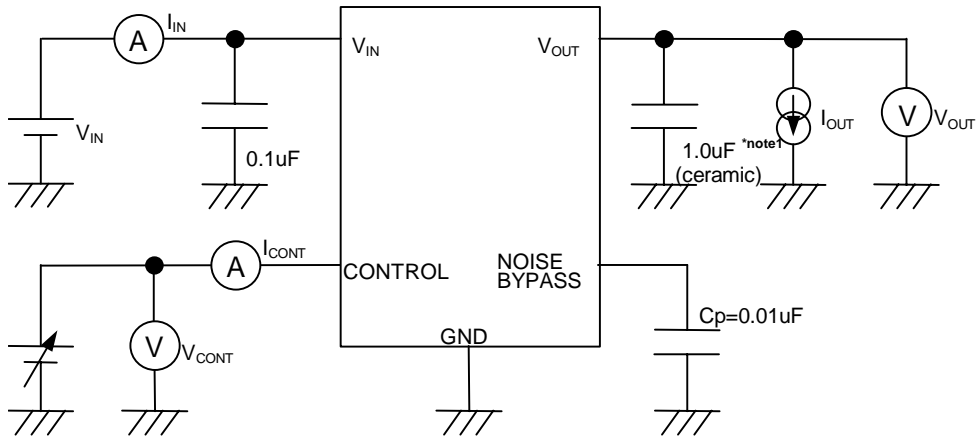
■ OUTPUT VOLTAGE RANK LIST

Device Name	V _{OUT}
NJM287××15	1.5V
NJM287××18	1.8V
NJM287××21	2.1V
NJM287××25	2.5V
NJM287××26	2.6V
NJM287××27	2.7V
NJM287××28	2.8V

Device Name	V _{OUT}
NJM287××285	2.85V
NJM287××29	2.9V
NJM287××03	3.0V
NJM287××31	3.1V
NJM287××32	3.2V
NJM287××33	3.3V
NJM287××34	3.4V

Device Name	V _{OUT}
NJM287××35	3.5V
NJM287××38	3.8V
NJM287××04	4.0V
NJM287××05	5.0V

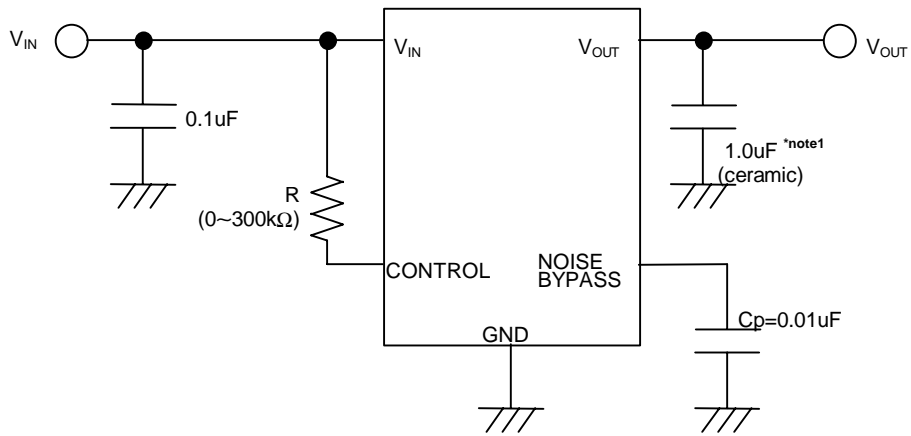
■ TEST CIRCUIT



*note1 2.0V < V_o ≤ 2.6V version : C_o=2.2uF(ceramic)
 V_o ≤ 2.0V version : C_o=4.7uF(ceramic)

■ TYPICAL APPLICATION

① In case that ON/OFF Control is not required:

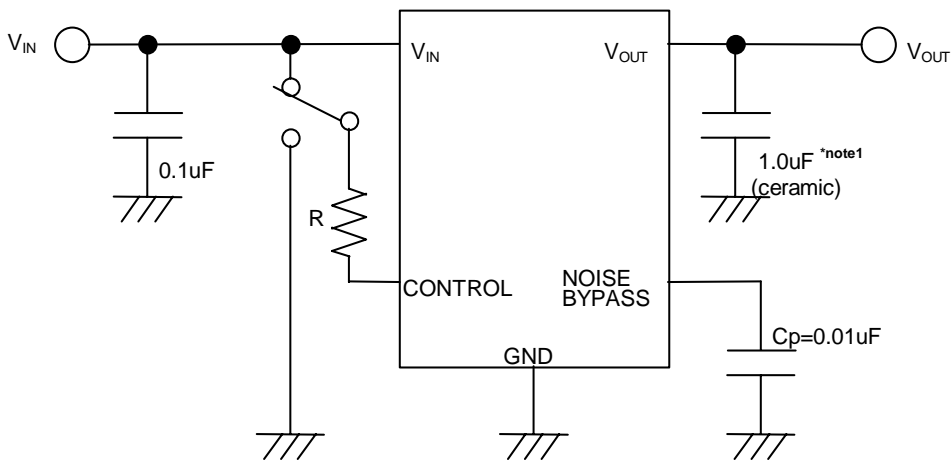


*note1 2.0V < Vo ≤ 2.6V version : Co=2.2uF(ceramic)
Vo ≤ 2.0V version : Co=4.7uF(ceramic)

Connect control terminal to V_{IN} terminal

The quiescent current can be reduced by using a resistance “R”. Instead, it increases the minimum operating voltage. For further information, please refer to Figure “Output Voltage vs. Control Voltage”.

② In use of ON/OFF CONTROL:



*note1 2.0V < Vo ≤ 2.6V version : Co=2.2uF(ceramic)
Vo ≤ 2.0V version : Co=4.7uF(ceramic)

State of control terminal:

- “H” → output is enabled.
- “L” or “open” → output is disabled.

★Noise bypass Capacitance Cp

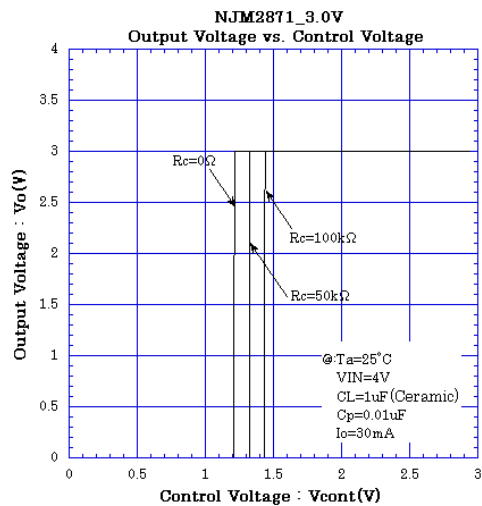
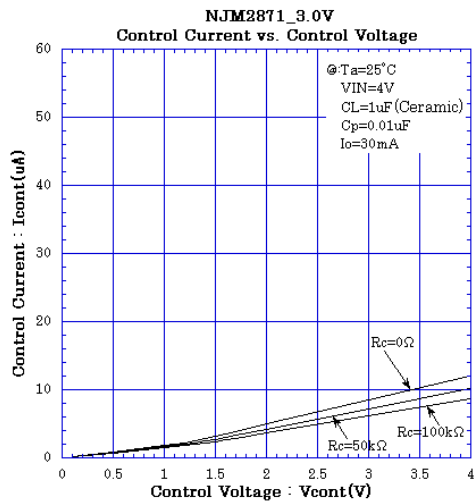
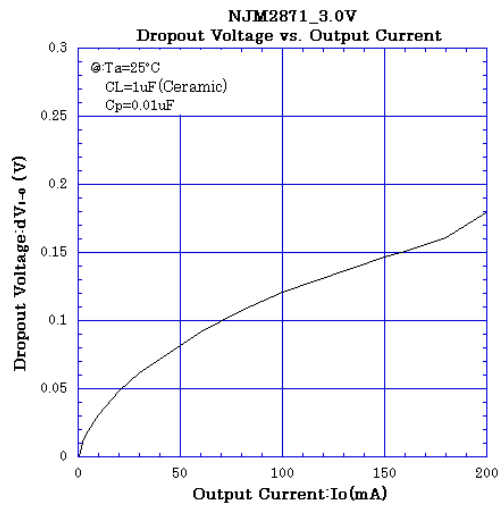
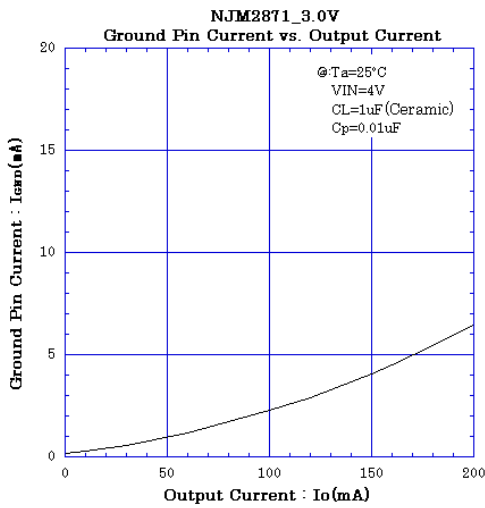
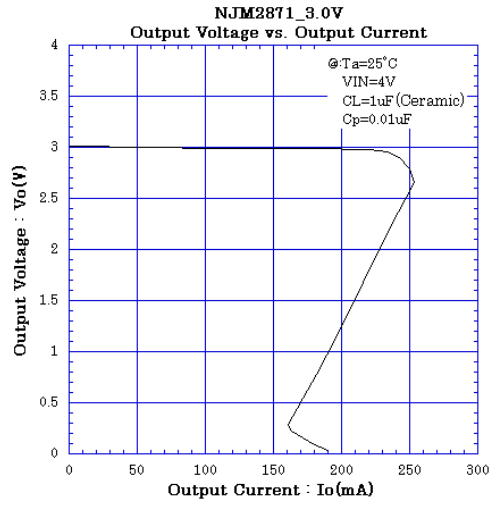
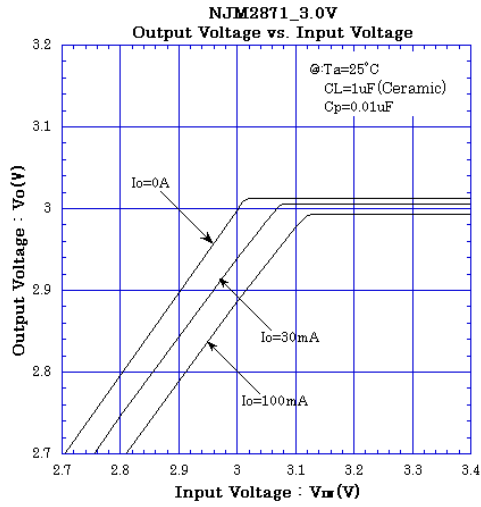
Noise bypass capacitance Cp reduces noise generated by band-gap reference circuit.

Noise level and ripple rejection will be improved when larger Cp is used.

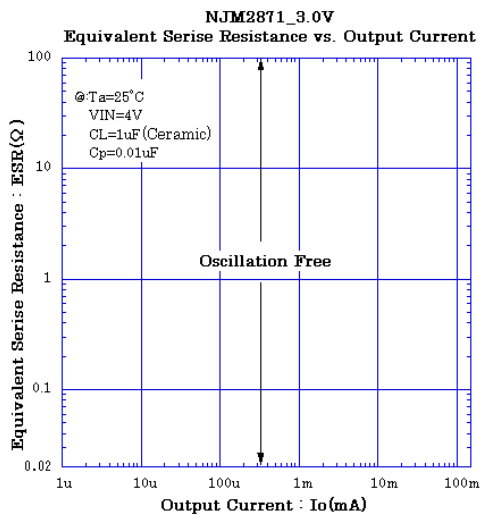
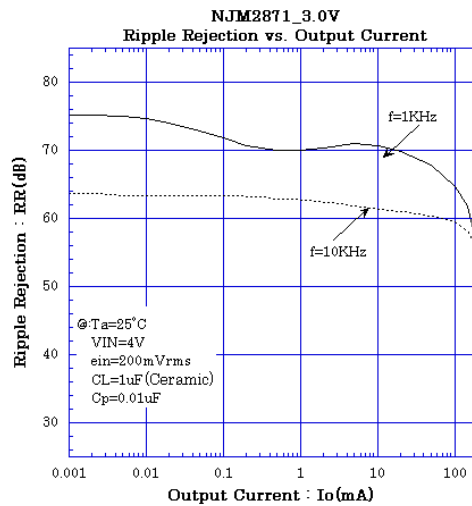
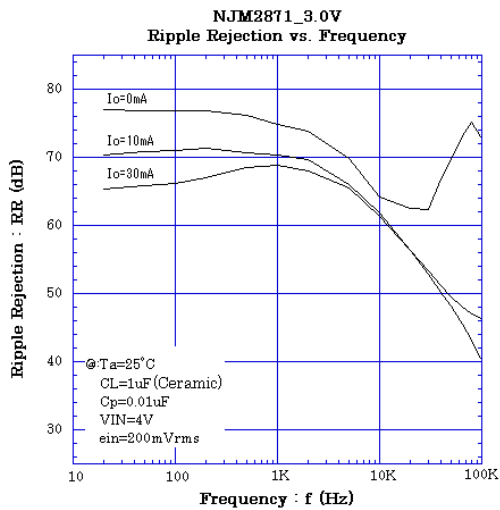
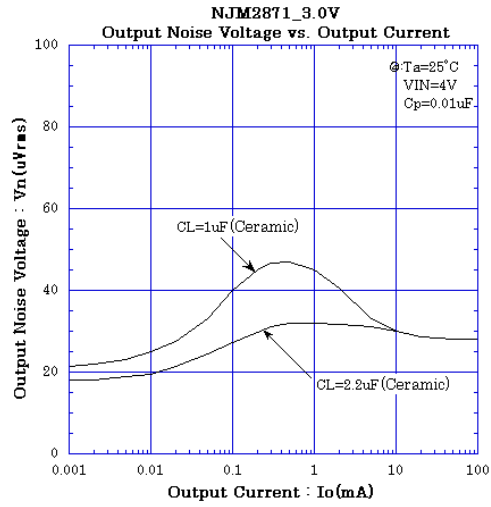
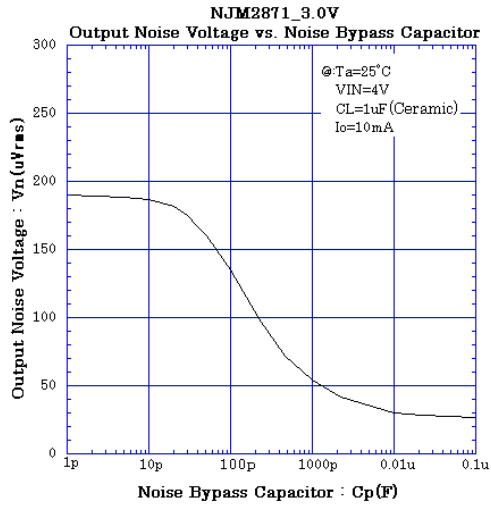
Use of smaller Cp value may cause oscillation.

Use the Cp value of 0.01uF greater to avoid the problem.

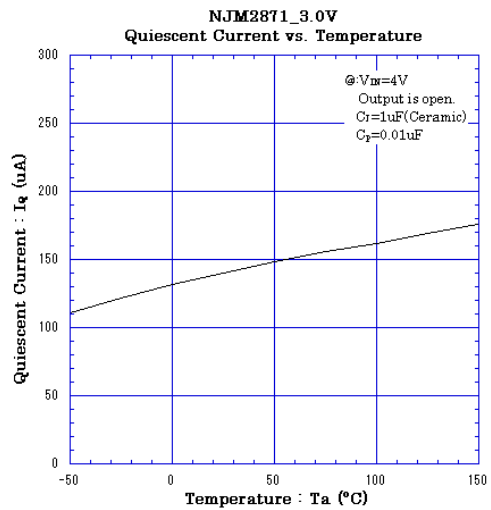
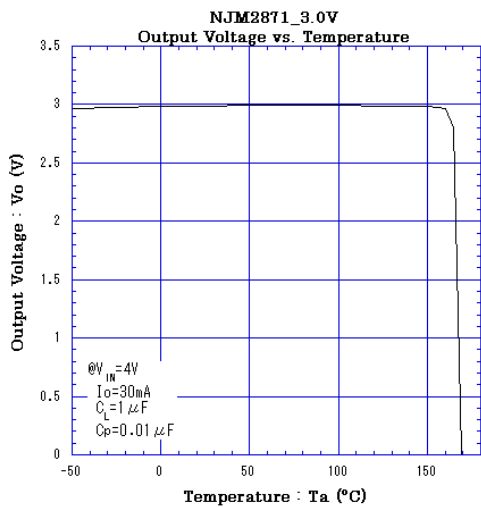
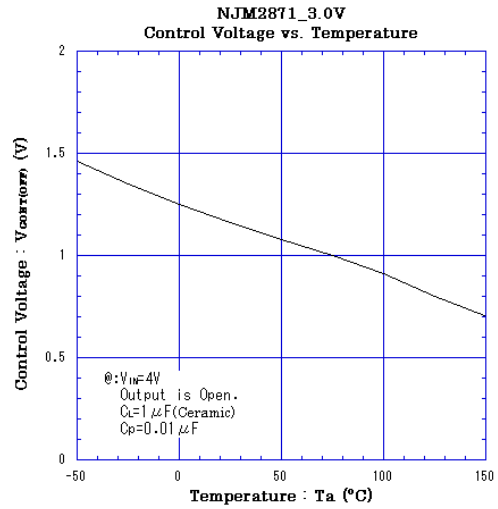
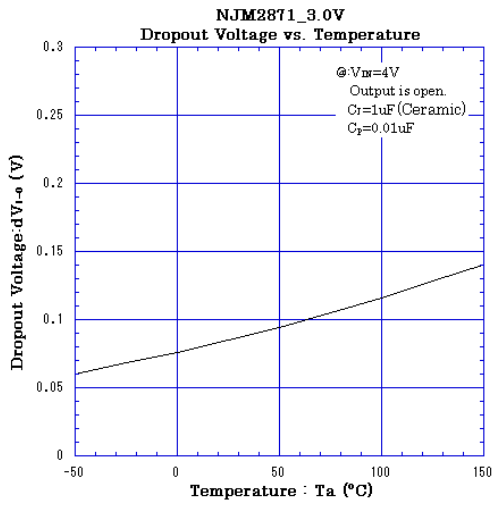
■ ELECTRICAL CHARACTERISTICS



■ ELECTRICAL CHARACTERISTICS



■ ELECTRICAL CHARACTERISTICS



[CAUTION]

The specifications on this databook are only given for information, without any guarantee as regards either mistakes or omissions. The application circuits in this databook are described only to show representative usages of the product and not intended for the guarantee or permission of any right including the industrial rights.