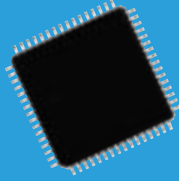


Segment Drivers

1/2 Duty LCD Driver

NJU6432B

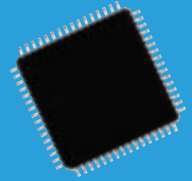
[DATA SHEET](#)



1/4 Duty LCD Driver

NJU6433

[DATA SHEET](#)



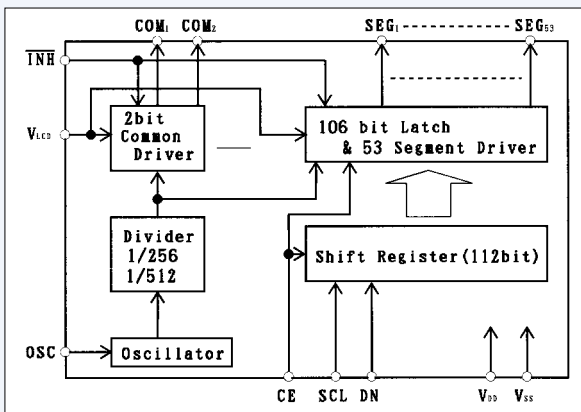
■ GENERAL DESCRIPTION

The NJU6432B is a 1/2 duty LCD driver for segment type LCD panel. The LCD driver consists of 2-common and 53-segment drivers up to 104-segment totally.

■ FEATURES

- 53-segment drivers
- Duty ratio : 1/2 duty (1/2 bias)
- 3-wire serial Interface
- Serial data transmission (shift clock 2MHz max.)
- Display-off function (INH terminal)
- Operating voltage : 2.5V to 6.5V
- LCD driver voltage : 6.5V max.
- Package outline : QFP64 / Bump-Chip / Chip

■ BLOCK DIAGRAM



■ GENERAL DESCRIPTION

The NJU6433 is a 1/4 duty LCD driver for segment type LCD panel. The LCD driver consists of 4-common and 50-segment drivers up to 200-segment totally.

■ FEATURES

- 50-segment drivers
- Duty ratio : 1/4 duty (1/4 bias)
- 3-wire serial Interface
- Serial data transmission (shift clock 2MHz max.)
- Display-off function (INH terminal)
- Operating voltage : 2.4V to 5.5V
- LCD driver voltage : 6.5V max.
- Package outline : QFP64 / Bump-Chip / Chip

■ BLOCK DIAGRAM

