

LOW-VOLTAGE OPERATION TINY SINGLE C-MOS COMPARATOR

■ GENERAL DESCRIPTION

The NJU7141 is a low voltage single-power-supply operation single C-MOS comparator with open drain output.

The NJU7141 operated from 1 to 5.5V supply and interface with most of TTL and C-MOS type standard logic ICs.

The NJU7141 is in MTP-5 package, and it is suitable for battery use items and other portable system.

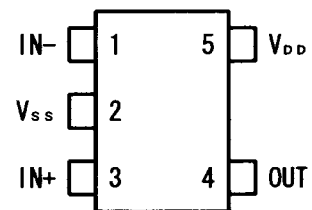
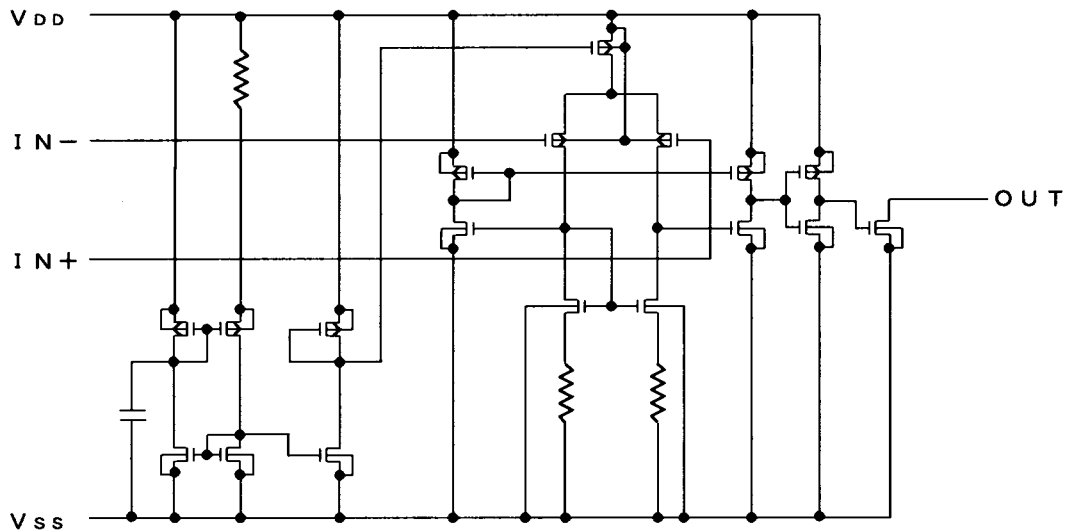
■ PACKAGE OUTLINE

NJU7141F
■ FEATURES

- Single-Power-Supply $V_{DD}=1\sim 5.5V$
- Input Offset Voltage $V_{I.O}=10mV$ max. @3.0V
- Low Operating Current $I_{DD}=5\mu A$ typ.
- Low Input Bias Current $I_{I.B}=1pA$ typ.
- Open Drain Output
- Output Signal Falling Time 30ns typ.
- C-MOS Technology
- Package Outline MTP-5

■ PIN CONFIGURATION

(Top View)


■ EQUIVALENT CIRCUIT


■ ABSOLUTE MAXIMUM RATINGS

(Ta=25°C)

PARAMETER	SYMBOL	RATINGS	UNIT
Supply Voltage	V _{IN}	7	V
Differential Input Voltage	V _{ID}	±7 (Note1)	V
Common Mode Input Voltage	V _{IC}	- 0.3 ~ 7	V
Power Dissipation	P _D	200	mW
Operating Temperature	T _{opr}	- 40 ~ + 85	°C
Storage Temperature	T _{stg}	- 55 ~ +125	°C

Note1) If the supply voltage (V_{DD}) is less than 7V, the input voltage must not over the V_{DD} level though 7V is limit specified.

Note2) Decoupling capacitor should be connected between V_{DD} and V_{SS} due to the stabilized operation for the circuit.

■ ELECTRICAL CHARACTERISTICS

 (Ta=25°C, V_{DD}=3.0V, R_L=∞)

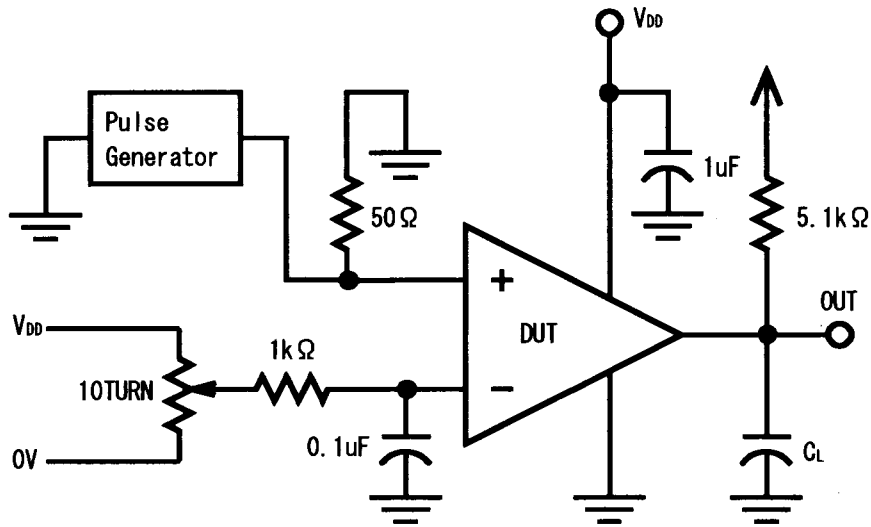
PARAMETER	SYMBOL	CONDITIONS	MIN	TYP	MAX	UNIT
Operating Voltage	V _{DD}		1.0	—	5.5	V
Input Offset Voltage	V _{IO}	V _{IN} =1/2V _{DD}	—	—	10	mV
Input Offset Current	I _{IO}		—	1	—	µA
Input Bias Current	I _{IB}		—	1	—	µA
Input Common Mode Voltage Range	V _{ICM}		0~2.5	—	—	V
Output Leakage Current	I _{OFF}	V _{OH} =V _{DD}	—	—	1	µA
Low Level Output Voltage	V _{OL}	I _{OL} =-2mA	0.3	—	—	V
Common Mode Rejection Ratio	CMR	V _{IC} =1/2V _{DD}	55	—	—	dB
Supply Voltage Rejection Ratio	SVR	V _{DD} =3~5V	60	—	—	dB
Operating Current	I _{DD}	No Load, V _O =0V	—	5	12	µA

■ SWITCHING CHARACTERISTICS

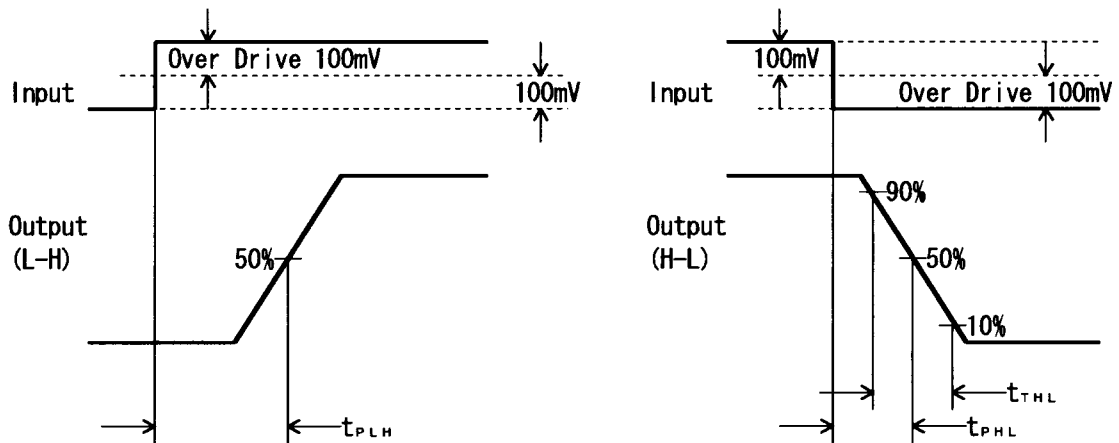
 (Ta=25°C, V_{DD}=3.0V, f=10kHz, C_L=15pF)

PARAMETER	SYMBOL	CONDITIONS	MIN	TYP	MAX	UNIT
Propagation Delay High to Low	t _{PHL}	Over Drive=100mV	—	0.35	—	µs
		TTL Level Step	—	0.10	—	
Propagation Delay Low to High	t _{PLH}	Over Drive=100mV	—	0.90	—	µs
		TTL Level Step	—	0.60	—	
Output Signal Falling Time	t _{THL}	Over Drive=100mV	—	30	—	ns

■ SWITCHING CHARACTERISTICS MEASUREMENT CIRCUIT



■ TIMING WAVEFORM



[CAUTION]

The specifications on this data book are only given for information, without any guarantee as regards either mistakes or omissions. The application circuits in this data book are described only to show representative usages of the product and not intended for the guarantee or permission of any right including the industrial rights.